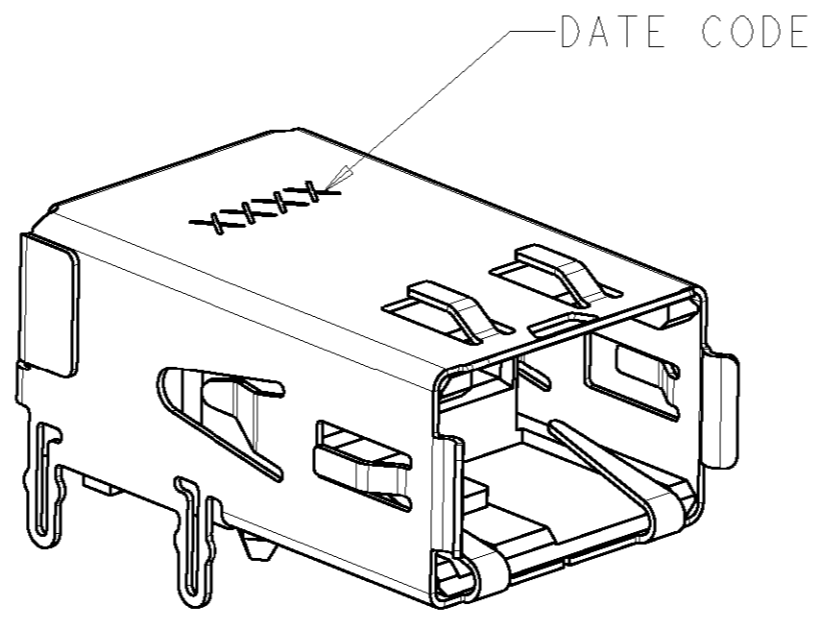
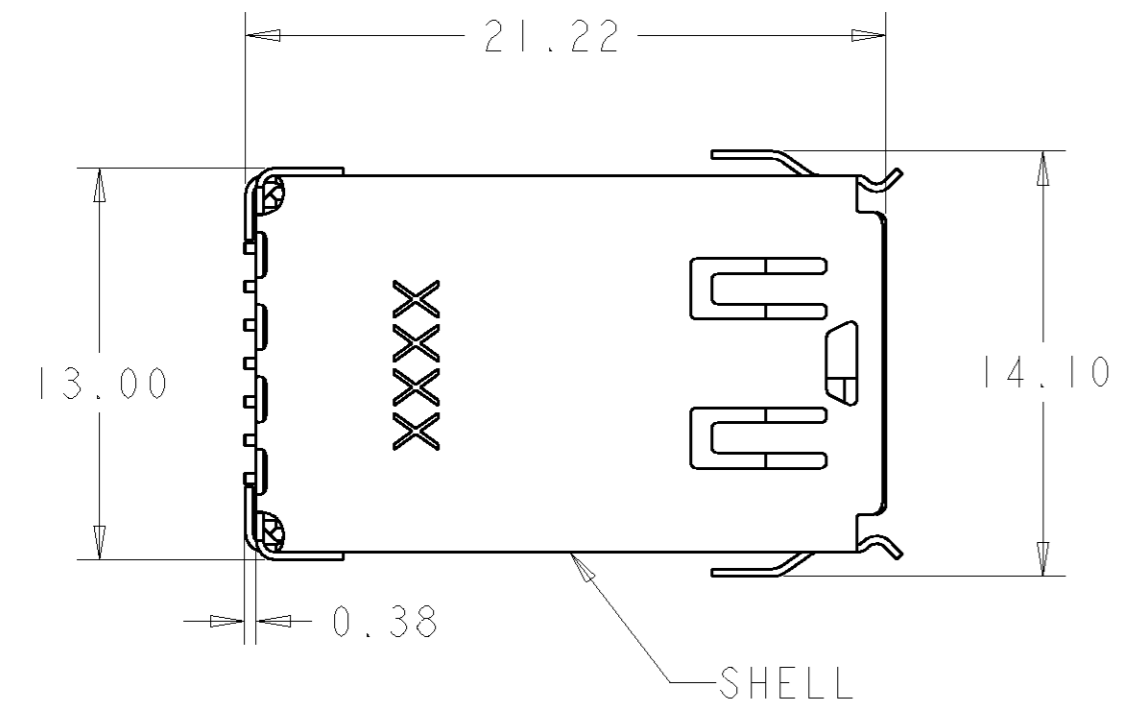
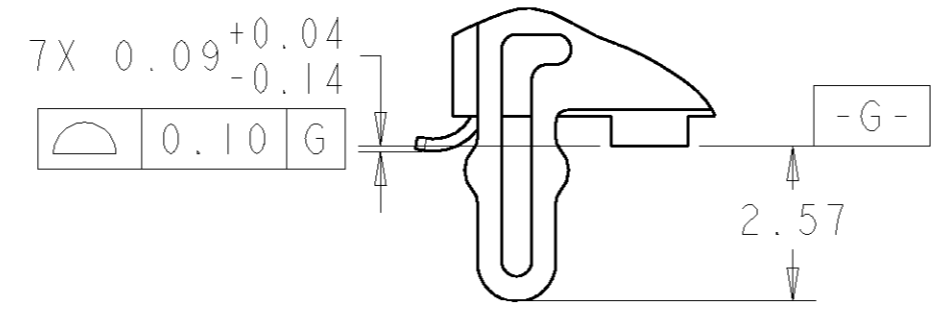
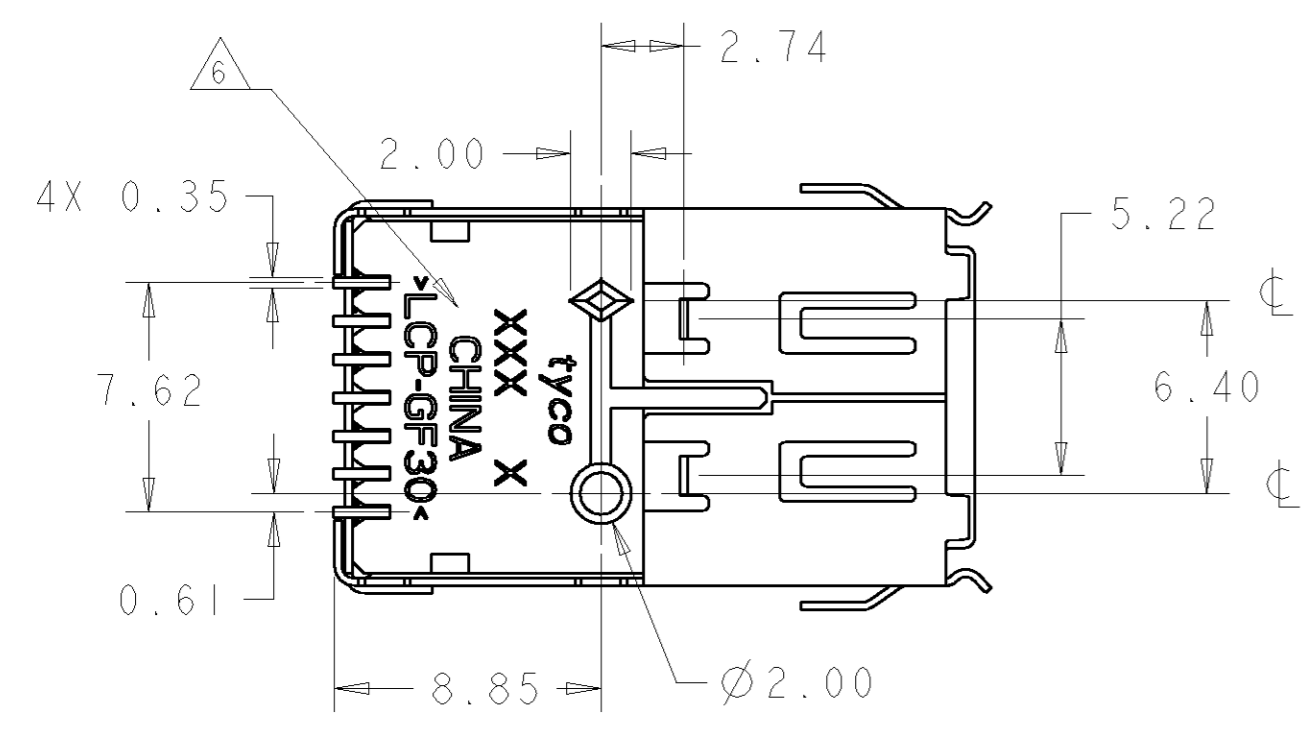
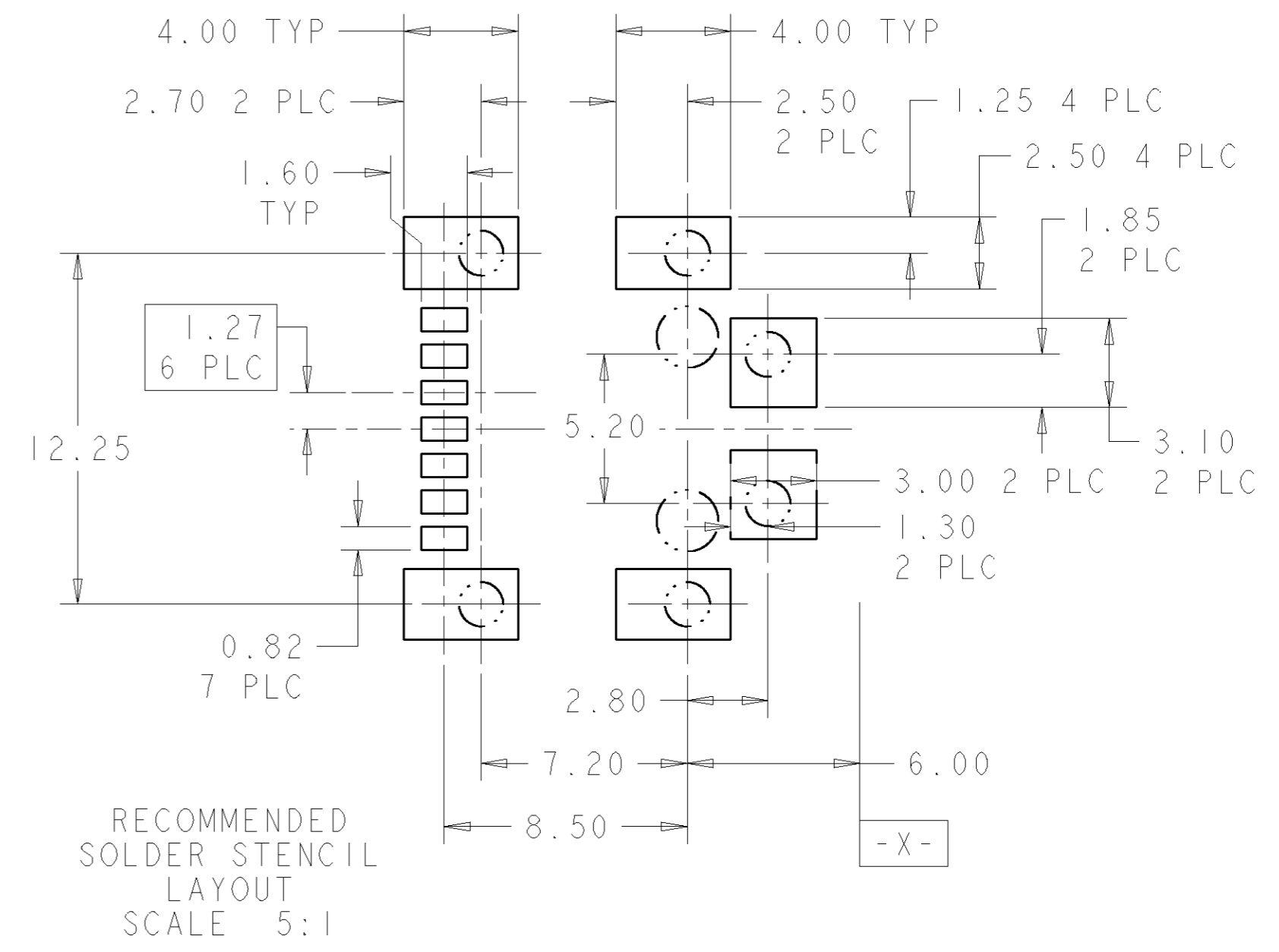
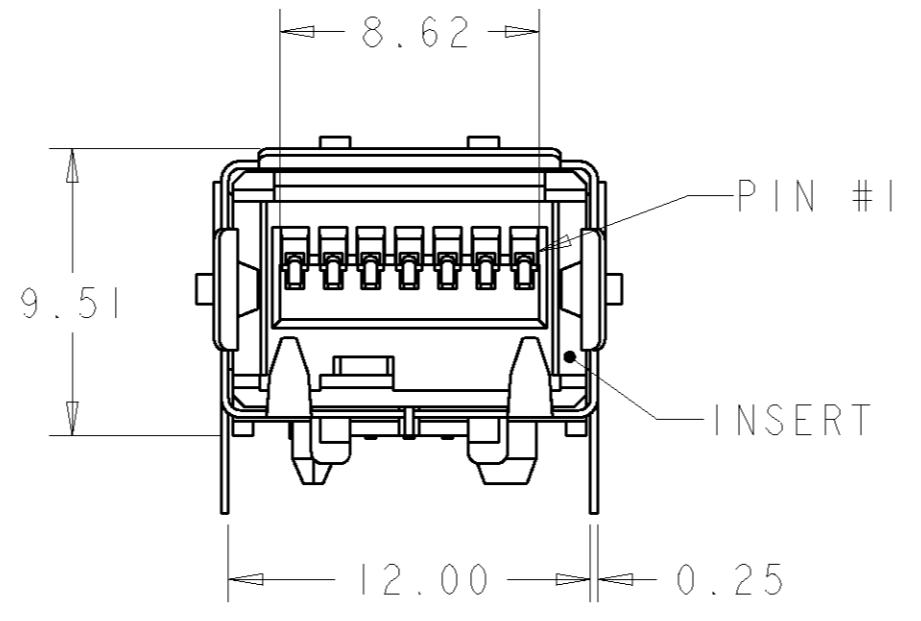
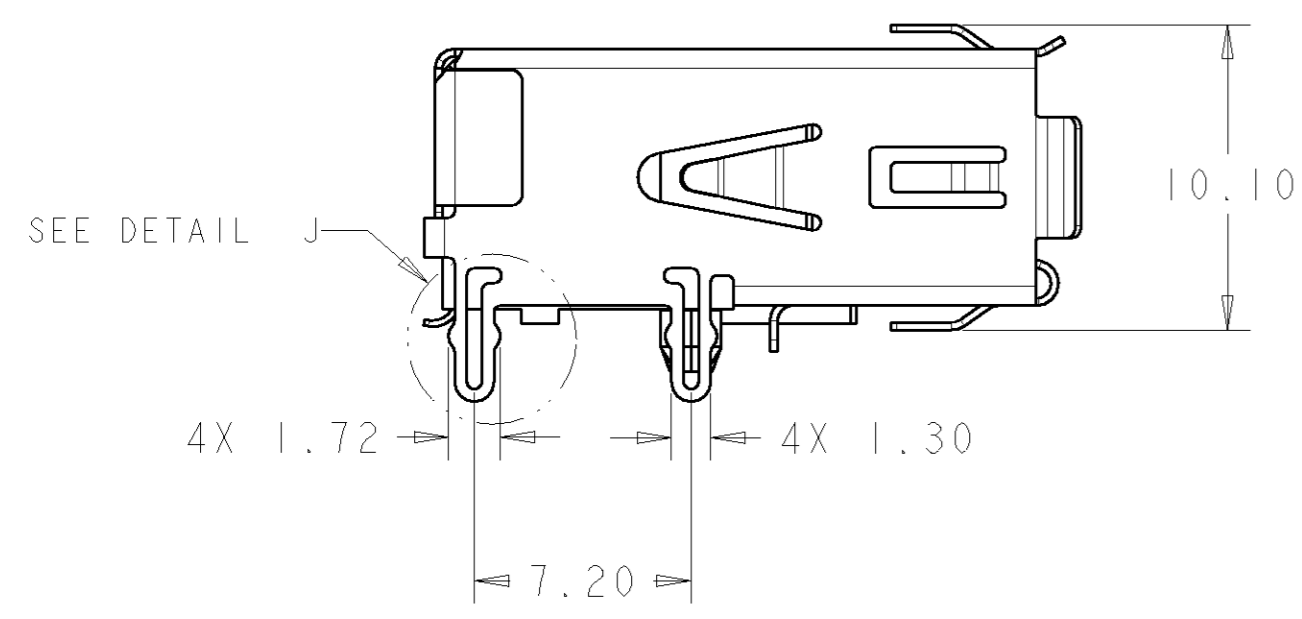


THIS DRAWING IS UNPUBLISHED. RELEASED FOR PUBLICATION 20  
 © COPYRIGHT 20 BY TYCO ELECTRONICS CORPORATION. ALL RIGHTS RESERVED.

| LOC | DIST | REVISIONS   |                           |           |         |
|-----|------|-------------|---------------------------|-----------|---------|
| P   | LTR  | DESCRIPTION | DATE                      | DWN       | APVD    |
| GP  | 00   | A           | RELEASED                  | 17MAR06   | BM SS   |
|     |      | A1          | REVISED PER ECO-06-018770 | 04AUG06   | BM SS   |
|     |      | A2          | REVISED PER ECO-06-029973 | 28DEC2006 | CJV SAS |



- 1 INSERT: LCP, UL 94V-0 RATED.  
CONTACTS: COPPER ALLOY  
SHELL: PHOSPHOR BRONZE.
- 2 CONTACTS: 1.27µm MINIMUM GOLD OVER  
3.81µm MINIMUM NICKEL ON MATING END.  
3.81µm MINIMUM MATTE TIN OVER  
1.27µm MINIMUM NICKEL ON SOLDER TAILS.  
SHELL: 3µm MINIMUM TIN OVER  
1.27µm MINIMUM NICKEL.
- 3 DATUM AND BASIC DIMENSION ESTABLISHED BY CUSTOMER.
- 4 LOCATION OF STANDOFF CONTACTING THE BOARD.
- 5 PACKAGED TAPE AND REEL
- 6 TYCO LOGO, COUNTRY OF ORIGIN, MATERIAL CODE, BUILDING NUMBER AND MOLD CAVITY ID ARE FROSTED ON THIS SURFACE.



DETAIL J  
SCALE 8:1

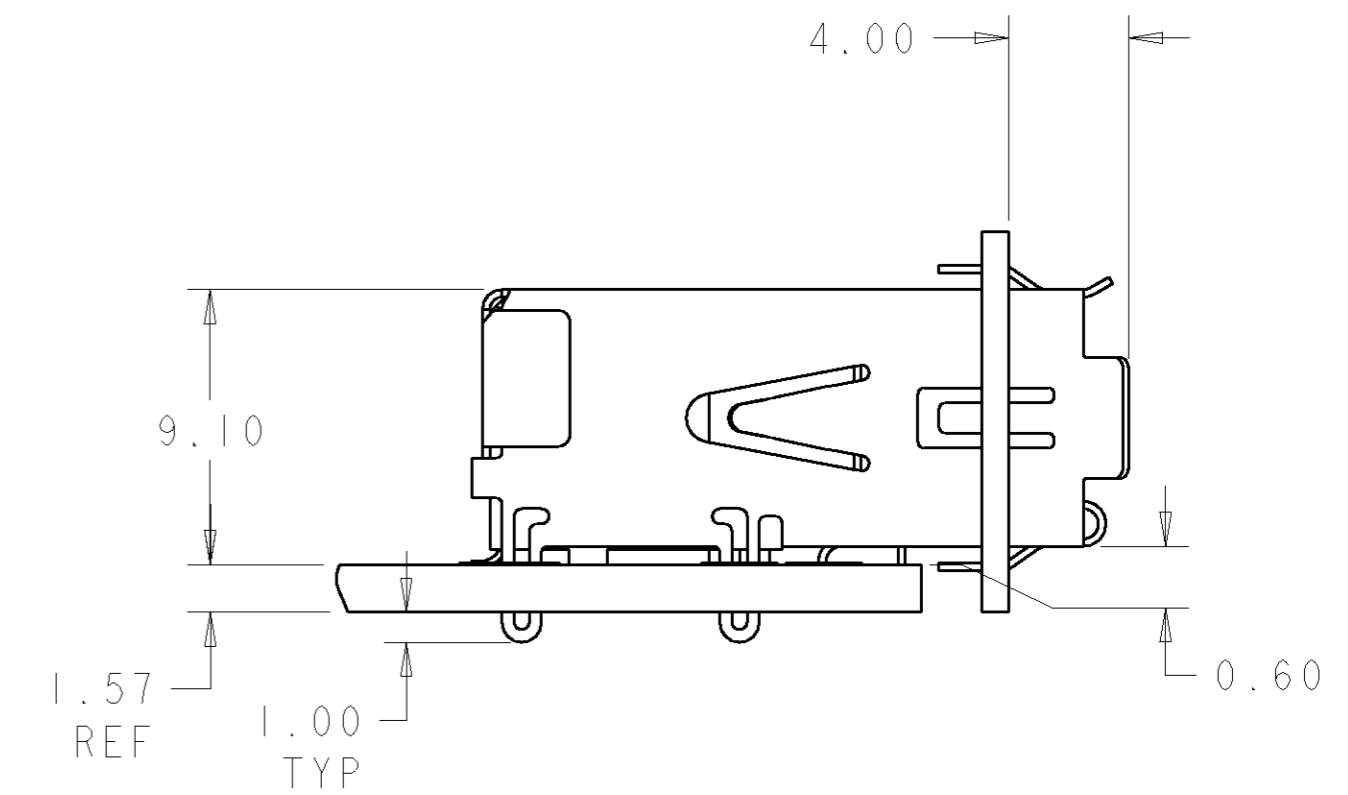
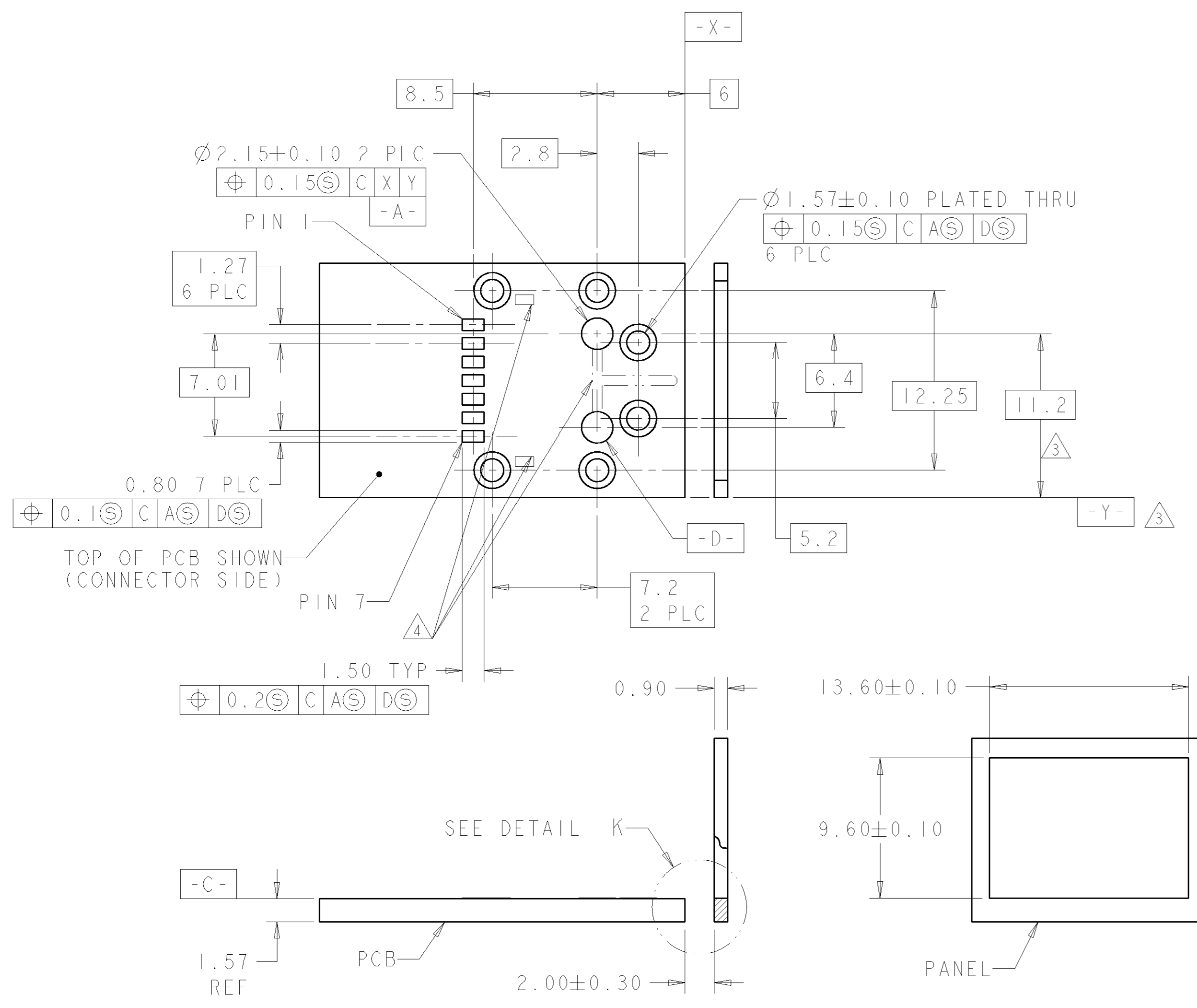
RECOMMENDED  
SOLDER STENCIL  
LAYOUT  
SCALE 5:1

| 5  | SOLDER TAIL WITH BOARDLOCK | 1888372-1  |
|--|----------------------------|--|
| PACKAGING  | DESCRIPTION                | PART NUMBER  |
|  |                            |  |
| DWN B MCMMASTER 17MAR06<br>CHK S SHUEY 17MAR06<br>APVD S SHUEY 17MAR06<br>PRODUCT SPEC 108-1965<br>APPLICATION SPEC 114-13028<br>WEIGHT 2.71<br>CUSTOMER DRAWING |                            |  |
| NAME RECEPTACLE ASSEMBLY, FIBRE CHANNEL, SURFACE MOUNT, SINGLE ROW, HSSDC2<br>SIZE A2<br>CAGE CODE 00779<br>DRAWING NO. 1888372<br>SCALE 4:1                     |                            | Tyco Electronics<br>Harrisburg, PA 17105-3608<br>RESTRICTED TO<br>SHEET 1 OF 3<br>REV A2 |

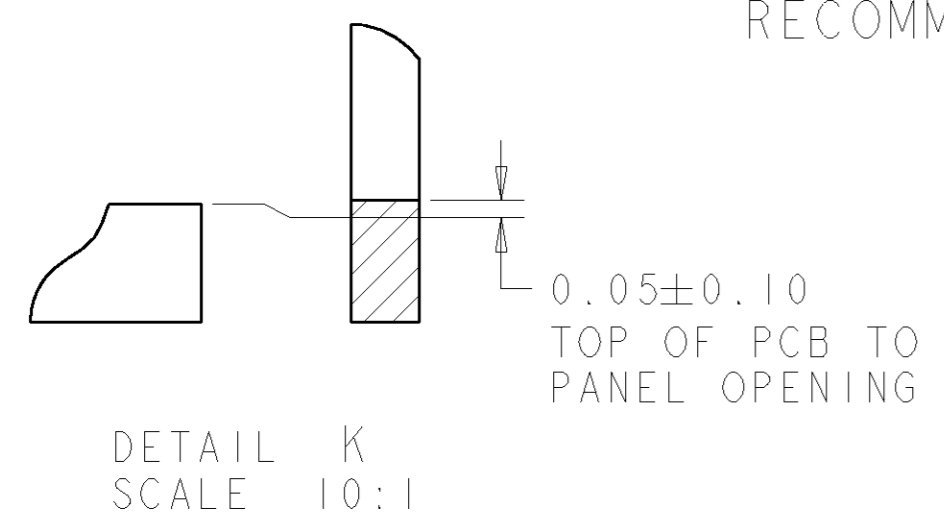
| DIMENSIONS: |  | TOLERANCES UNLESS OTHERWISE SPECIFIED: |       |
|-------------|--|--|-------|
| mm          |  | 0 PLC                                  | ±     |
|             |  | 1 PLC                                  | ±     |
|             |  | 2 PLC                                  | ±0.13 |
|             |  | 3 PLC                                  | ±     |
|             |  | 4 PLC                                  | ±     |
|             |  | ANGLES                                 | ±3°   |
|             |  | FINISH                                 |       |

THIS DRAWING IS UNPUBLISHED. RELEASED FOR PUBLICATION 20  
 © COPYRIGHT 20 BY TYCO ELECTRONICS CORPORATION. ALL RIGHTS RESERVED.

| LOC | DIST | REVISIONS |     |             |      |     |      |
|-----|------|-----------|-----|-------------|------|-----|------|
| GP  | 00   | P         | LTR | DESCRIPTION | DATE | DWN | APVD |
|     |      | -         |     | SEE SHEET 1 |      |     |      |



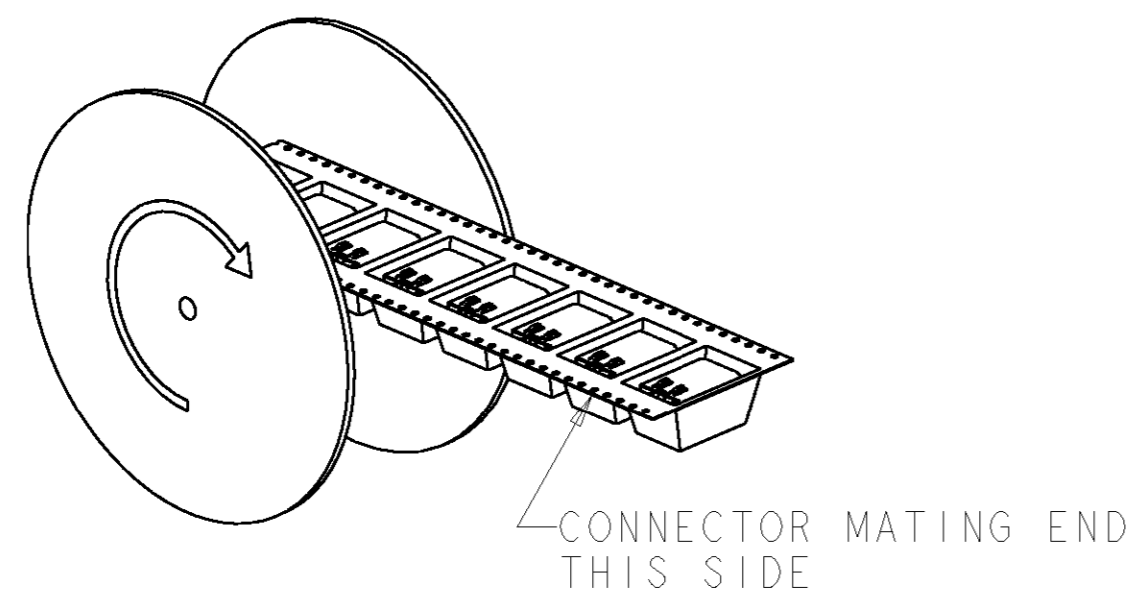
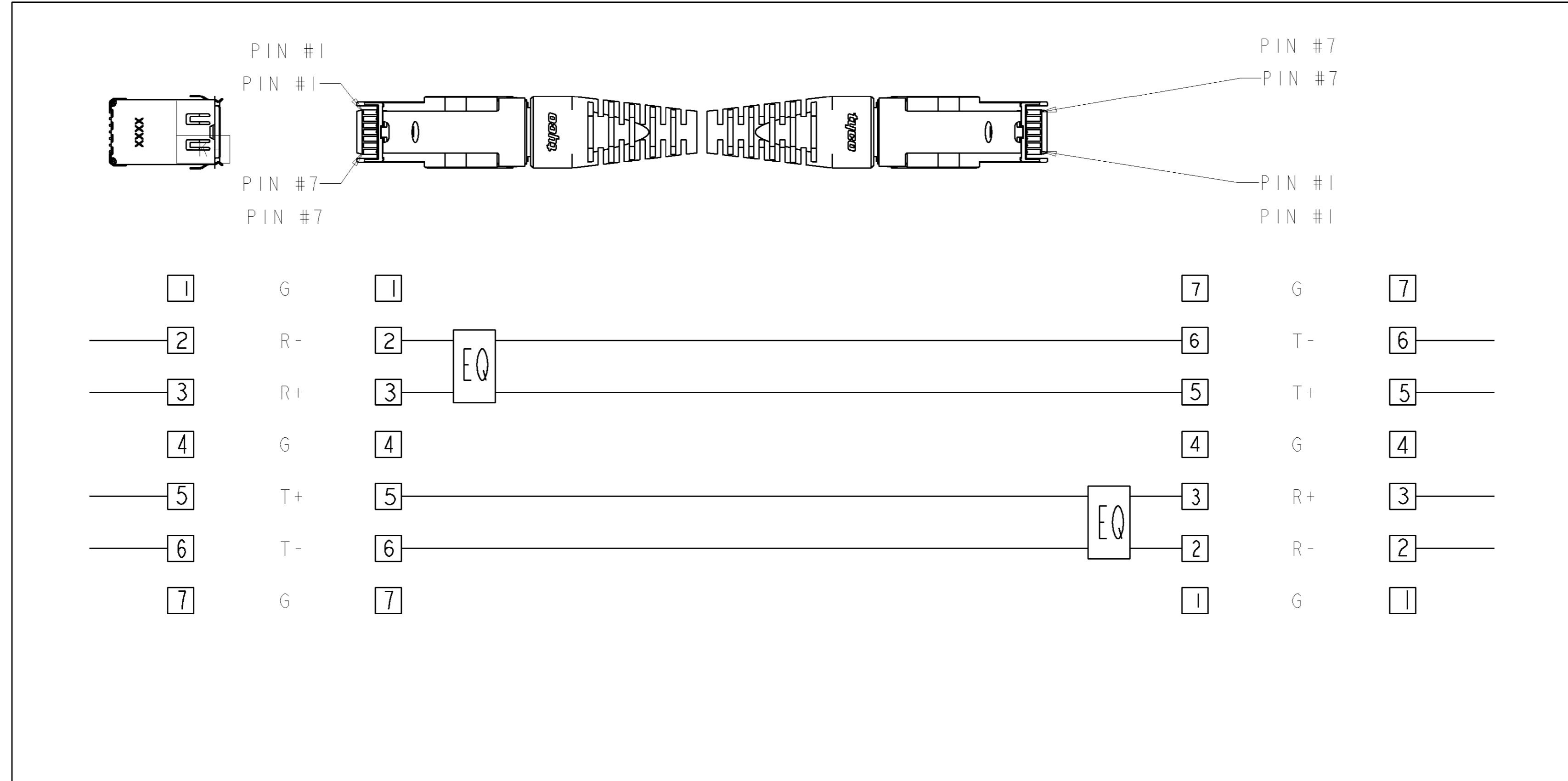
RECOMMENDED PCB AND PANEL LAYOUT  
CONNECTOR SIDE SHOWN



|  |  |                               |  |  |
|--|--|-------------------------------|--|--|
| THIS DRAWING IS A CONTROLLED DOCUMENT FOR TYCO ELECTRONICS CORPORATION<br>IT IS SUBJECT TO CHANGE AND THE CONTROLLING ENGINEERING ORGANIZATION<br>SHOULD BE CONTACTED FOR THE LATEST REVISION. |  | DWN<br>B. MCMASTER 17MAR06    | Tyco Electronics<br>Harrisburg, PA 17105-3608                                    |  |
| DIMENSIONS:<br>mm  |  | CHK<br>S. SHUEY 17MAR06       | NAME<br>RECEPTACLE ASSEMBLY, FIBRE CHANNEL,<br>SURFACE MOUNT, SINGLE ROW, HSSDC2 |  |
| TOLERANCES UNLESS<br>OTHERWISE SPECIFIED:  |  | APVD<br>S. SHUEY 17MAR06      | PRODUCT SPEC<br>108-1965   |  |
| 0 PLC ±  |  | APPLICATION SPEC<br>114-13028 |  |  |
| 1 PLC ±  |  | WEIGHT<br>2.71                |  |  |
| 2 PLC ±0.13  |  | SIZE<br>A2                    |  |  |
| 3 PLC ±  |  | CAGE CODE<br>00779            |  |  |
| 4 PLC ±  |  | DRAWING NO<br>1888372         |  |  |
| ANGLES ±3°   |  | RESTRICTED TO<br>-            |  |  |
| FINISH   |  | SCALE<br>3:1                  |  |  |
| MATERIAL   |  | SHEET<br>2 OF 3               |  |  |
|  |  | REV<br>A2                     |  |  |
|  |  | CUSTOMER DRAWING              |  |  |

THIS DRAWING IS UNPUBLISHED. RELEASED FOR PUBLICATION 20  
 © COPYRIGHT 20 BY TYCO ELECTRONICS CORPORATION. ALL RIGHTS RESERVED.

| LOC | DIST | REVISIONS   |             |     |      |
|-----|------|-------------|-------------|-----|------|
| P   | LTR  | DESCRIPTION | DATE        | DWN | APVD |
| GP  | 00   | -           | SEE SHEET 1 | -   | -    |
|     |      |             |             |     |      |
|     |      |             |             |     |      |



TAPE AND REEL  
 PACKAGING ORIENTATION  $\Delta$   
 SCALE: NTS

PIN ASSIGNMENTS  
 REFERENCE ONLY  
 SCALE: NTS

|   |   |   |  |
|---|---|---|--|
| <small>THIS DRAWING IS A CONTROLLED DOCUMENT FOR TYCO ELECTRONICS CORPORATION<br/>         IT IS SUBJECT TO CHANGE AND THE CONTROLLING ENGINEERING ORGANIZATION<br/>         SHOULD BE CONTACTED FOR THE LATEST REVISION.</small> |   | DWN B. MCMMASTER 17MAR06<br>CHK S. SHUEY 17MAR06<br>APVD S. SHUEY 17MAR06 | Tyco Electronics<br>Harrisburg, PA 17105-3608  |
| DIMENSIONS:<br>mm   | TOLERANCES UNLESS OTHERWISE SPECIFIED:<br>0 PLC ±<br>1 PLC ±<br>2 PLC ±0.13<br>3 PLC ±<br>4 PLC ±<br>ANGLES ±3°<br>FINISH | PRODUCT SPEC 108-1965<br>APPLICATION SPEC 114-13028<br>WEIGHT 2.71        | NAME RECEPTACLE ASSEMBLY, FIBRE CHANNEL, SURFACE MOUNT, SINGLE ROW, HSSDC2<br>SIZE A2 CAGE CODE 00779 DRAWING NO. 1888372 RESTRICTED TO -<br>SCALE 3:1 SHEET 3 OF 3 REV A2 |
| MATERIAL  |   | CUSTOMER DRAWING  |  |