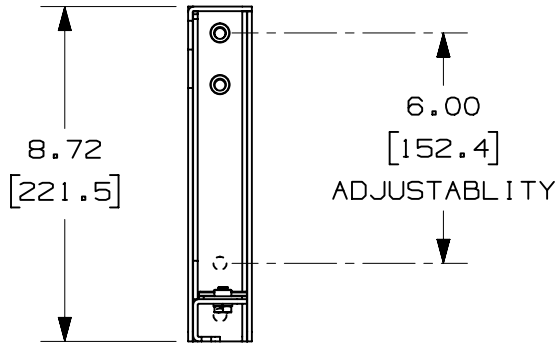
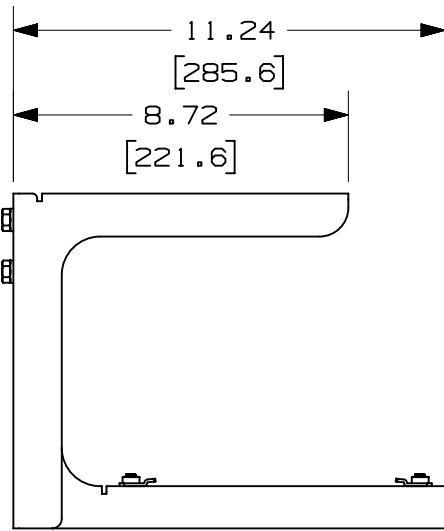
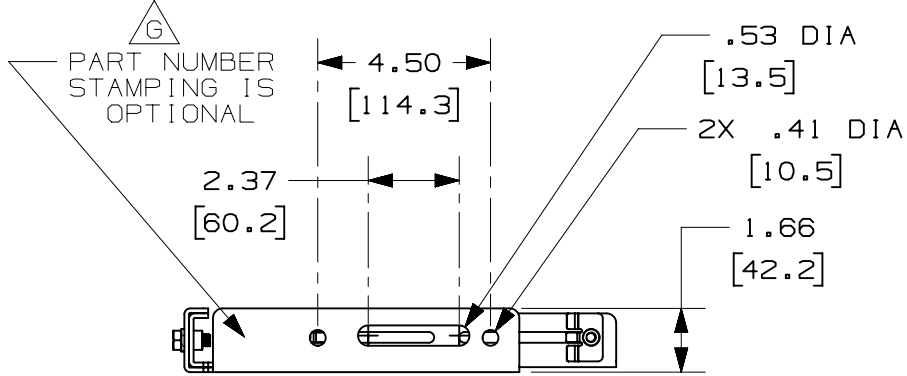
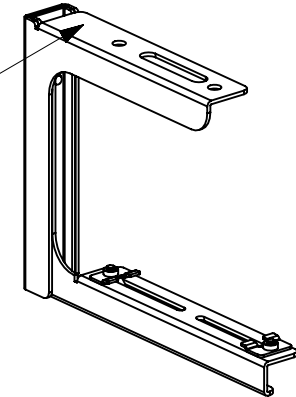


THIS COPY IS PROVIDED ON A RESTRICTED BASIS AND IS NOT TO BE USED IN ANY WAY DETRIMENTAL TO THE INTERESTS OF PANDUIT CORP.



PART NUMBER STAMPING IS OPTIONAL



PANDUIT PART NUMBER	WEIGHT
FR6ACB12	3.38 LB/EACH
FR6ACB12M	(1531g/EACH)

NOTES:

1. SEE CURRENT CATALOG FOR ADDITIONAL PART SUFFIXES TO INDICATE PACKAGE QUANTITY.
2. THE FIBERRUNNER 4x4 AND 6x4 QUIKLOCK ADJUSTABLE "C" BRACKET IS USED TO SUPPORT THE FIBERRUNNER 4x4 AND 6x4 CABLE ROUTING SYSTEMS FROM A SECTION OF NEW 1/2" (M12) THREADED ROD (NOT INCLUDED) OR CAN BE DIRECTLY MOUNTED TO THE CEILING.
3. THE FIBERRUNNER 4x4 AND 6x4 QUIKLOCK ADJUSTABLE "C" BRACKET INCLUDES:
ONE (1) BRACKET ASSEMBLY,
TWO (2) 1/2-13 HEAVY HEX NUTS (FR6ACB12 ONLY),
TWO (2) M12x1.75 HEX NUTS (FR6ACB12M ONLY),
TWO (2) 1/2 HELICAL SPRING LOCKWASHERS
4. FINISH COLOR: BLACK (EXCEPT HARDWARE)
5. DIMENSIONS IN PARENTHESES ARE IN METRIC.

REV	DATE	BY	CHK	APR	DESCRIPTION	ECN
01B	4/23/19	MES	DWR	DWR	G. NOTE P/N STAMPING OPTIONAL F. UPDATED TITLE BLOCK TO LATEST REVISION, REMOVED PRIOR REVISIONS	V09001YD

<p>TITLE FIBERRUNNER 4x4 AND 6x4 QUIKLOCK ADJUSTABLE "C" BRACKET - 1/2" (M12) THREADED ROD (FR6ACB12, FR6ACB12M) CUSTOMER DRAWING</p>														
<p>ITEM REVISION NAME D38022BX/02</p>														
<p>DATASET FILE NAME D38022BX_DC_FR6ACB12/01</p>														
<p>UNLESS OTHERWISE SPECIFIED, DIMENSIONAL TOLERANCES ARE:</p> <table border="1"> <tr> <td>INCHES</td> <td>METRIC - MILLIMETER</td> <td>ANGLE</td> </tr> <tr> <td>X.X +/-</td> <td>X +/-</td> <td>+/-</td> </tr> <tr> <td>X.XX +/-</td> <td>X.X +/-</td> <td>0.8</td> </tr> <tr> <td>X.XXX +/-</td> <td>X.XX +/-</td> <td></td> </tr> </table>		INCHES	METRIC - MILLIMETER	ANGLE	X.X +/-	X +/-	+/-	X.XX +/-	X.X +/-	0.8	X.XXX +/-	X.XX +/-		MATERIAL: STEEL
INCHES	METRIC - MILLIMETER	ANGLE												
X.X +/-	X +/-	+/-												
X.XX +/-	X.X +/-	0.8												
X.XXX +/-	X.XX +/-													
<p>DRAWING NUMBER: 38022-29</p>														

REV	DATE	BY	CHK	APR	DESCRIPTION	ECN
-----	------	----	-----	-----	-------------	-----

DRAWN BY	DATE	CHK	SCALE	DRAWING NUMBER	SIZE
JHNU	5/24/01	HIW	NONE	SHT 1 OF 1	A

D10.100DA/20