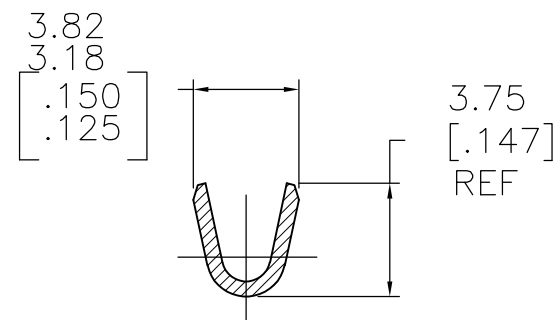
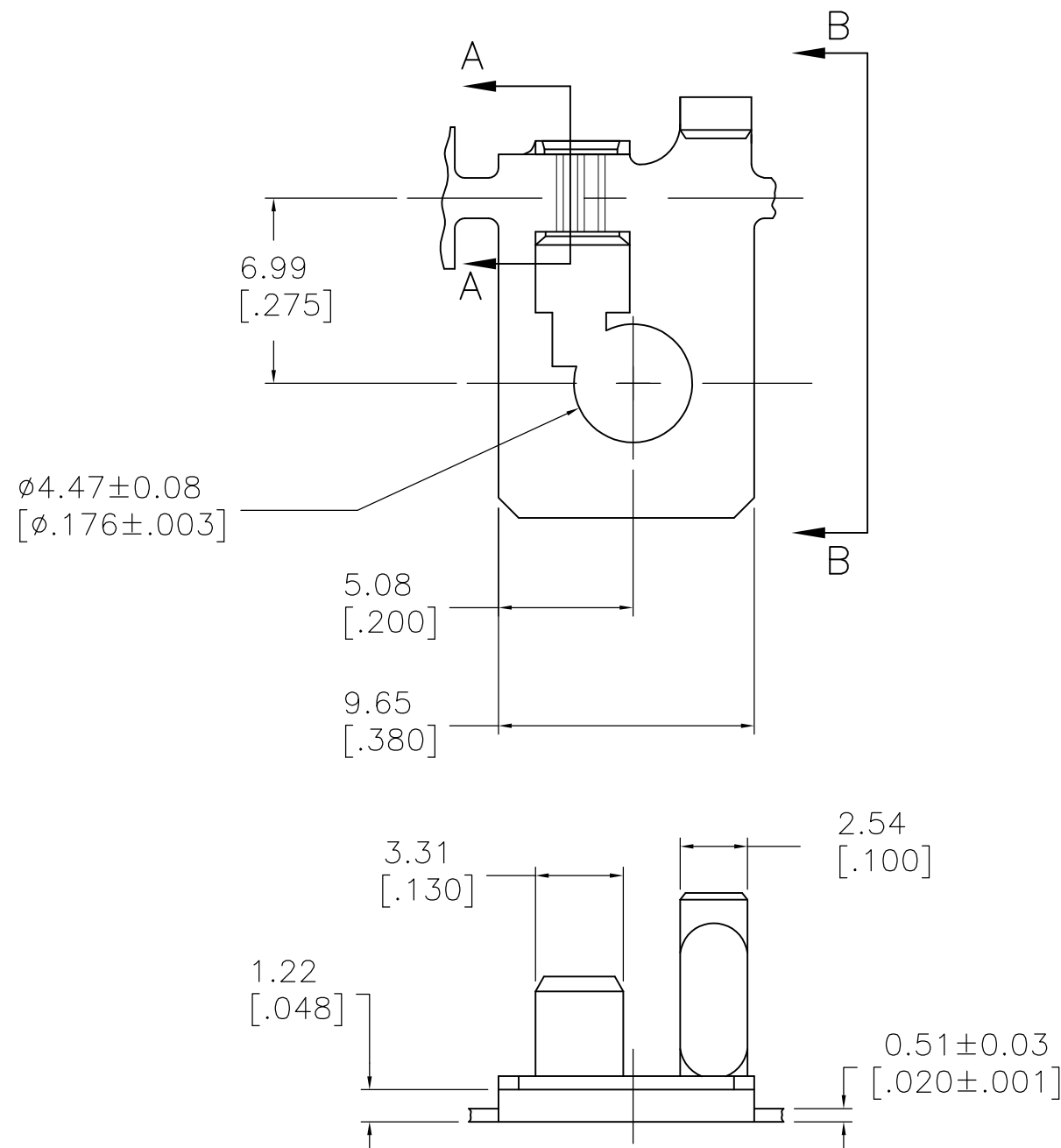


THIS DRAWING IS UNPUBLISHED. RELEASED FOR PUBLICATION

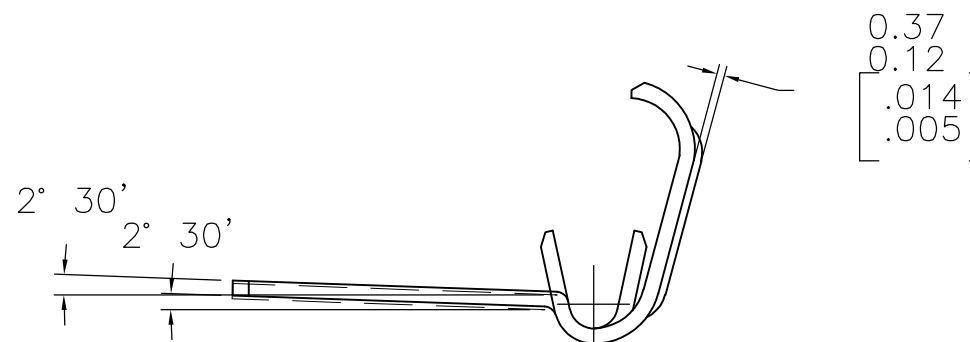
© COPYRIGHT BY TYCO ELECTRONICS CORPORATION. ALL RIGHTS RESERVED.

LOC	DIST	REVISIONS			
P	LTR	DESCRIPTION	DATE	DWN	APVD
AF	50	E2	REVISED PER ECR-10-015031	29JUL10	HMR PD

- 1 CONTINUOUS STRIP ON REELS
- 2 WIRE RANGE IS 18-14 AWG.
- 3 INSULATION RANGE IS 2.54-3.56 [.100-.140] DIA



SECTION A-A



VIEW B-B

61443-1

PART NO

THIS DRAWING IS A CONTROLLED DOCUMENT.		DWN RAGHAVENDRA 16MAY08	Tyco Electronics Corporation Harrisburg, PA 17105-3608				
DIMENSIONS: mm [INCHES]		CHK JEFF RUTH 16MAY08					
TOLERANCES UNLESS OTHERWISE SPECIFIED:		APVD JEFF RUTH 16MAY08	NAME				
0 PLC ± - 1 PLC ± - 2 PLC ± - 3 PLC ± 0.38 [.015] 4 PLC ± - ANGLES ± 1° 0'		PRODUCT SPEC	RING, FLAG				
MATERIAL BRASS		FINISH TIN	APPLICATION SPEC	SIZE	CAGE CODE	DRAWING NO	RESTRICTED TO
			WEIGHT -	A3	00779	C-61443	-
CUSTOMER DRAWING			SCALE 4:1	SHEET 1 OF 1	REV E2		