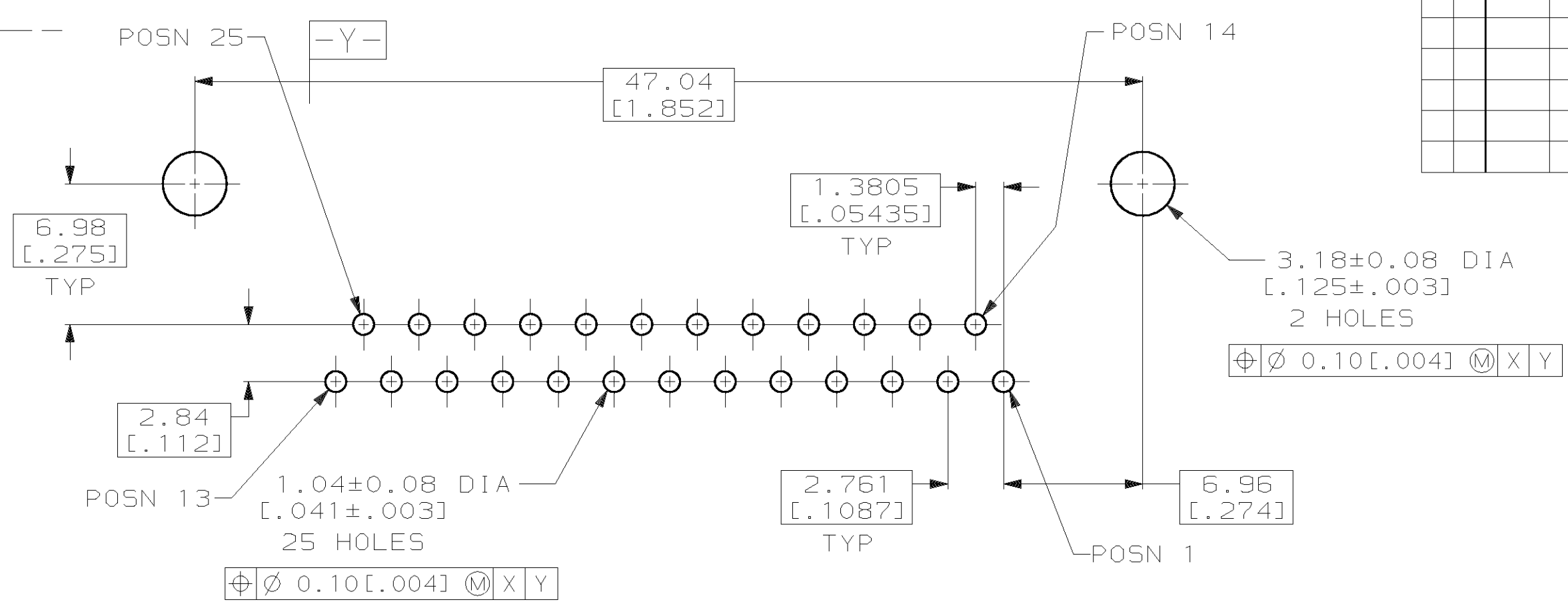
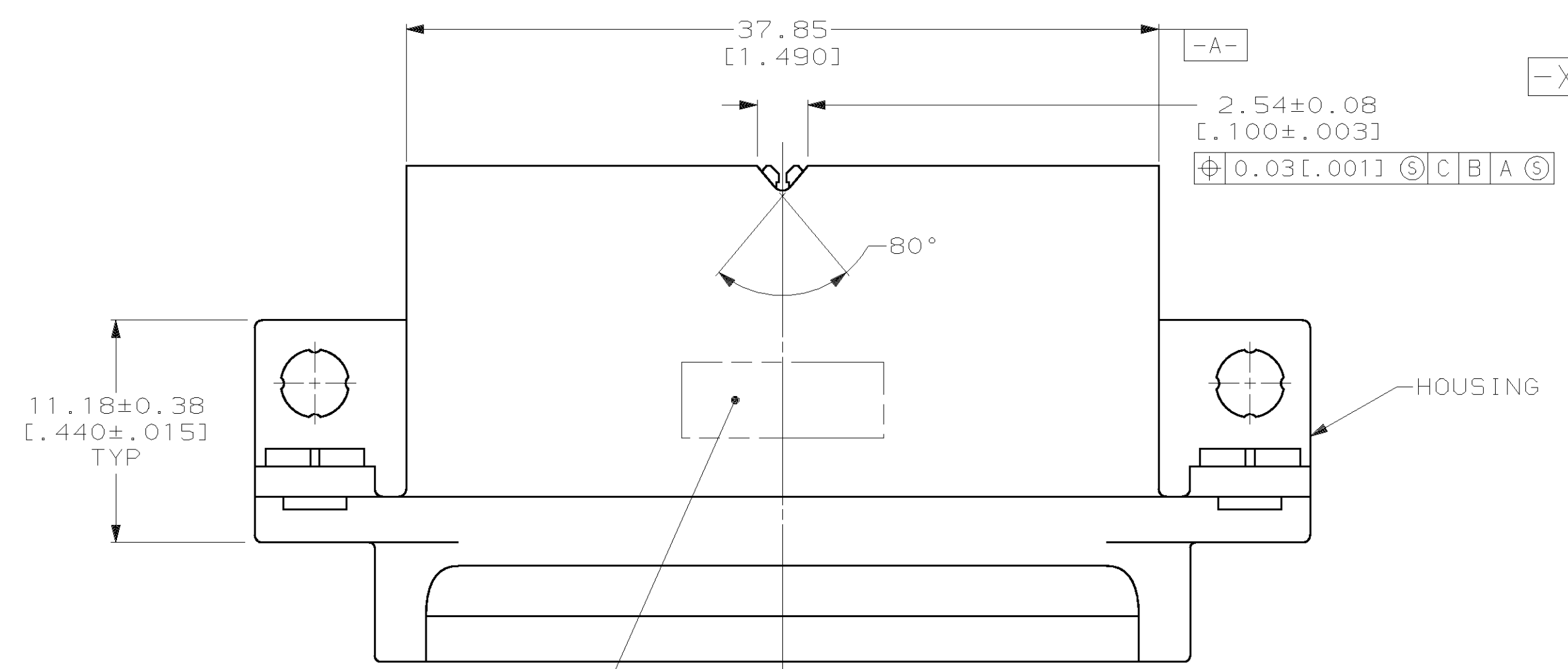
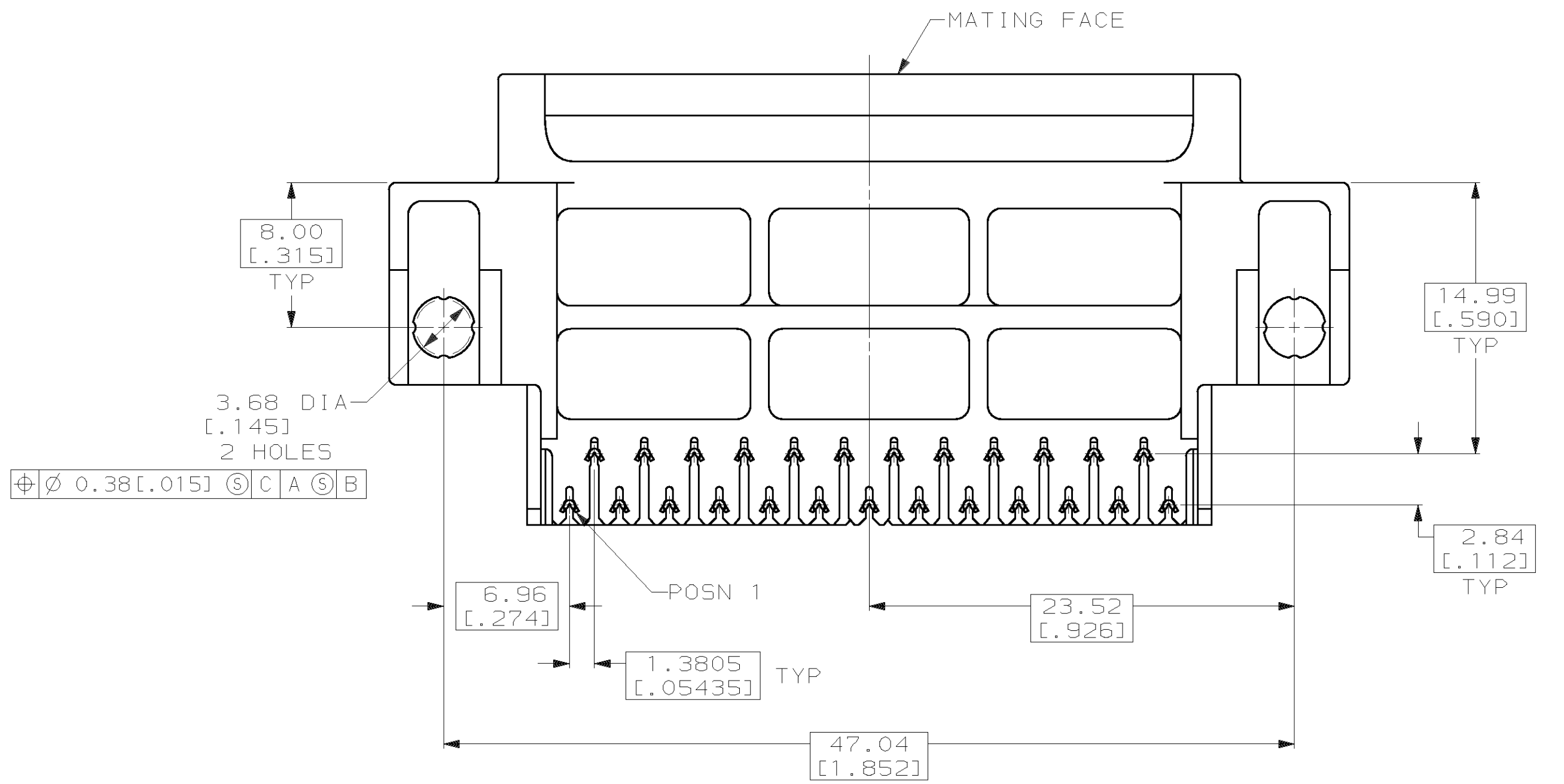
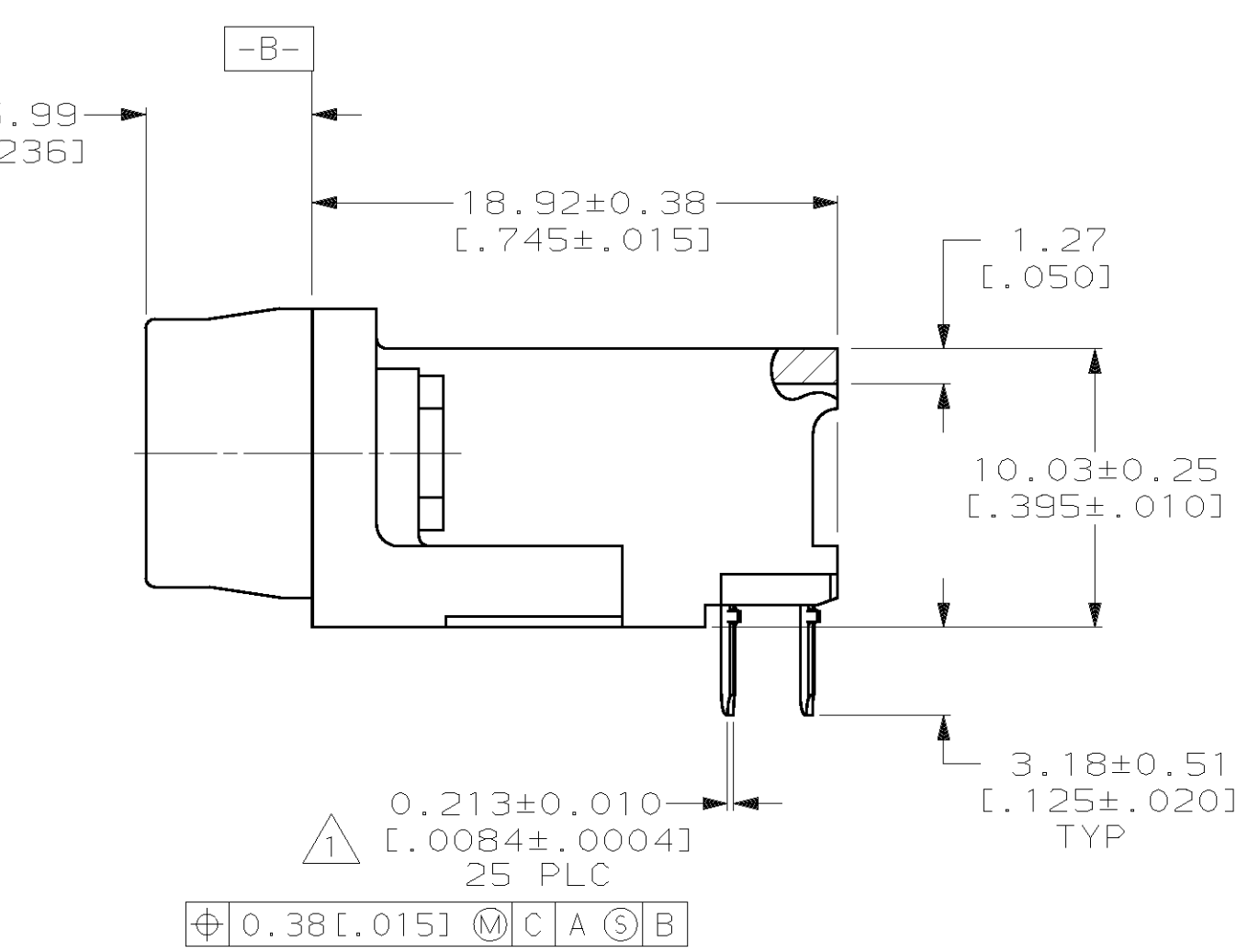
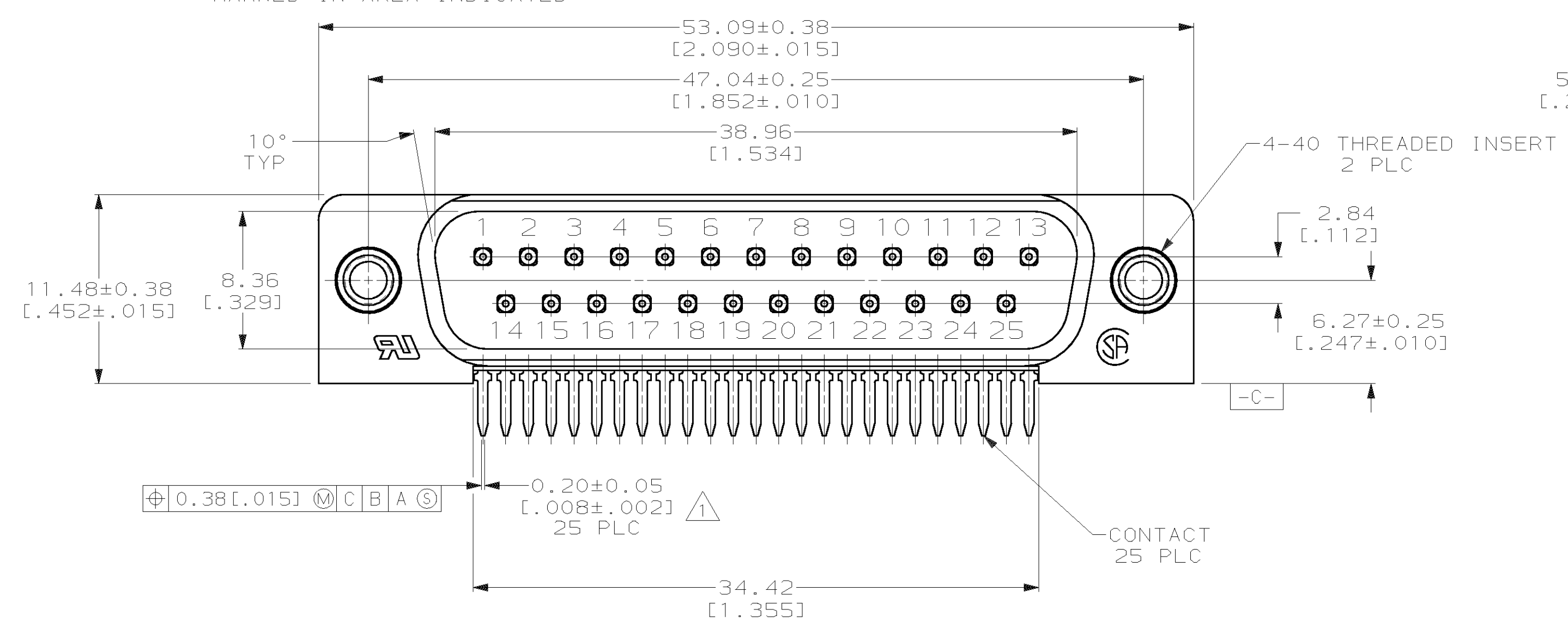


LOC	DIST	P	F	ZONE	LTR	DESCRIPTION	DATE	APPR
BD	77				B	REV & RDWN ECN BD3365 & BD3478	10/09/89	-
					C	REV PER ECN BD3848	04/18/90	PAK
					D	REV PER ECN BD4319	09/04/90	PAK
					E	REV PER ECN BD4960	6-20-91	CR
					F	OBS-3 PER ECN BD6410	03/26/93	CR
					G	REV PER EC 0020-1053-95	05 JAN 96	RLT
					H	REV PER EC 0420-59-96	20 SEP 96	RT
					J	SUPSD -2 PER EC 0020-571-96	17 MAR 97	RT
					K	REV PER EC 0640-435-98	18 MAR 99	RT



PC BOARD MOUNTING DIMENSIONS



- △ POSITION TOLERANCE APPLIES AT TIP ONLY.
- △ NYLON OR POLYESTER, UL94V-0, BLACK.
- △ BRASS PER MIL-C-50
- △ GOLD PLATING PER MIL-G-45204, NICKEL PLATING PER QQ-N-290, TIN PLATING PER MIL-T-10727.
- △ GOLD PLATED FOR A LENGTH OF 3.81 [0.150] MIN FROM MATING END, 0.76µm [0.000030] MIN GOLD IN MATED AREA. 3.05µm [0.000120] MIN TIN-LEAD FOR A LENGTH OF 3.68 [0.145] MIN FROM OPPOSITE END, BOTH OVER 1.27µm [0.000050] MIN NICKEL.
- △ GOLD FLASH FOR A LENGTH OF 3.81 [0.150] MIN FROM MATING END, 3.05 µm [0.000120] MIN TIN-LEAD FOR A LENGTH OF 3.68 [0.145] MIN FROM OPPOSITE END, BOTH OVER 1.27 µm [0.000050] MIN NICKEL.
- △ 0.25 µm [0.000010] MIN GOLD FOR A LENGTH OF 3.81 [0.150] MIN FROM MATING END, 3.05 µm [0.000120] MIN TIN-LEAD FOR A LENGTH OF 3.68 [0.145] MIN FROM OPPOSITE END, BOTH OVER 1.27 µm [0.000050] MIN NICKEL.

STATUS	DESCRIPTION	PART NO
OBsolete		748873-3
SUPSD BY	748873-1	748873-2
		748873-1

DO NOT SCALE PRINT. UNLESS SPECIFIED DIMENSIONS IN mm [INCHES] TOLERANCES ON: 2 PLC DEC ± 0.13 [0.005] 3 PLC DEC ± - ANGLES ± 2°	DR 10/09/89 S.WELDON CHK 1-3-90 R.STONE APPD 1-5-90 J.SWAIN APPD 1-8-90 C.RHODE PRODUCT SPEC 108-1226 APPLICATION SPEC 114-40027 WEIGHT -	AMP INCORPORATED Harrisburg, Pa. 17105 NAME PLUG ASSEMBLY, SIZE 3, 25 POSN, ALL PLASTIC, RIGHT ANGLE, .590 SERIES, AMPLIMITE® III SIZE D CAGE CODE 00779 DRAWING NO 748873 SCALE 4:1 SHEET 1 OF 1
---	---	--