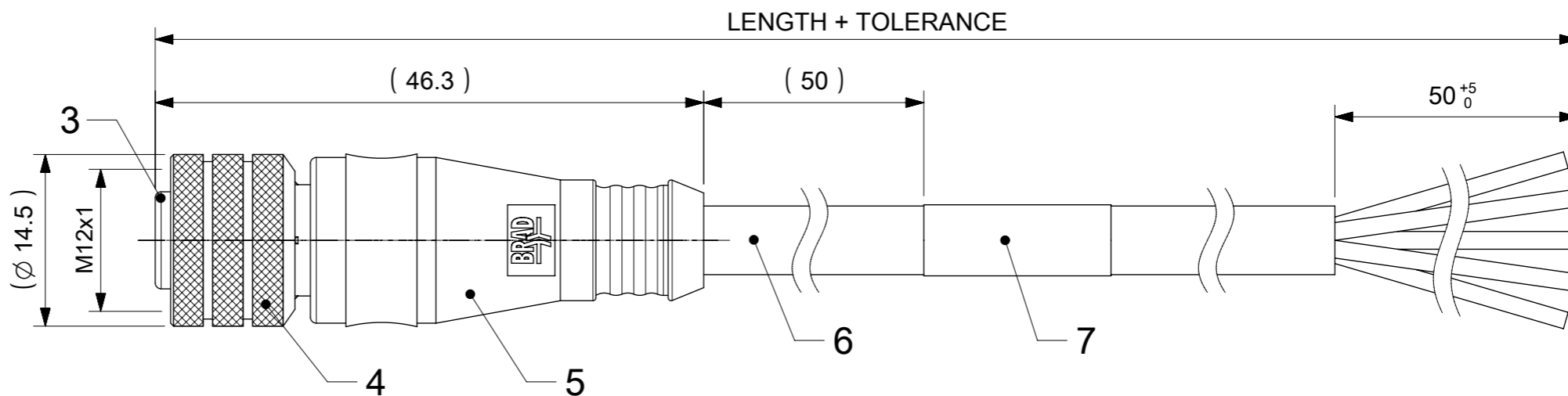
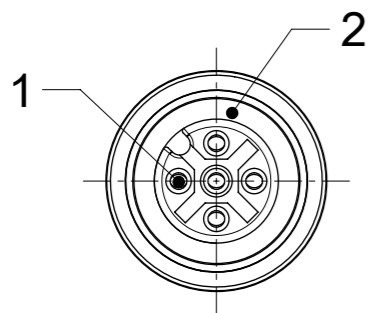


# FEMALE PLUG M12 STRAIGHT



**NOTES:**

RATED VOLTAGE: 3, 4 contacts 250V

5 contacts 60V

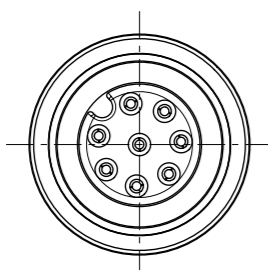
8 contacts 30V

RATED CURRENT: 3, 4, 5 contacts 4A

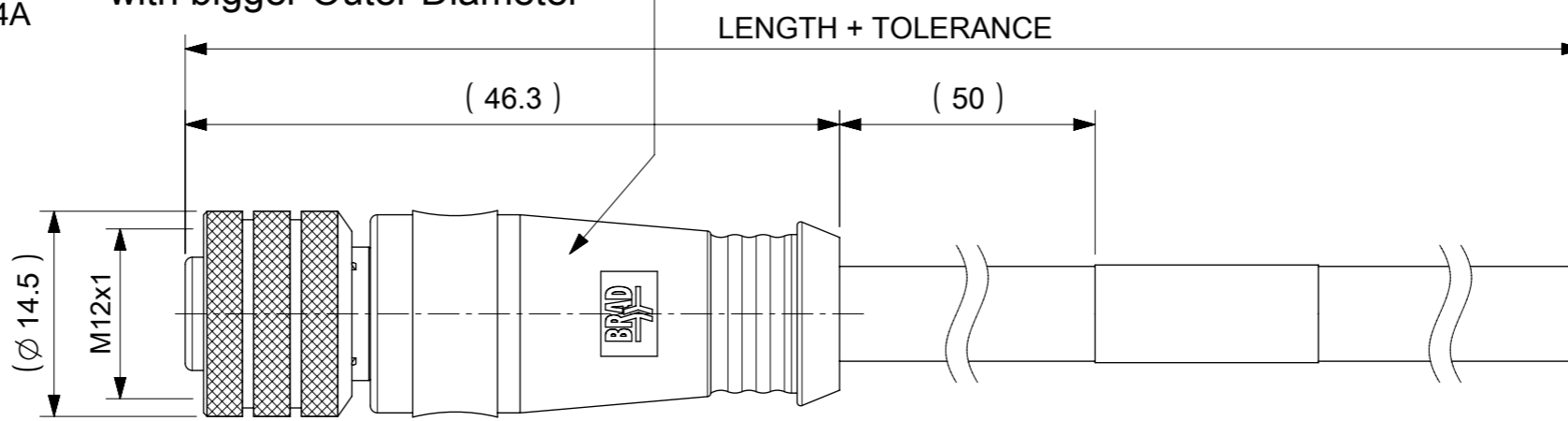
8 contacts 2A

PROTECTION CLASS: IP 67

TEMPERATURE: -25°C / +85°C



Thicker Overmold for Cables with bigger Outer Diameter



For Shielded Cables testing ends are cut off after test

## CONTACTS POSITION FRONT VIEW:

| 3 CONTACTS |                       | 4 CONTACTS |       | 5 CONTACTS |                      | 8 CONTACTS |        |
|------------|-----------------------|------------|-------|------------|----------------------|------------|--------|
|            |                       |            |       |            |                      |            |        |
| PIN        | WIRE                  | PIN        | WIRE  | PIN        | WIRE                 | PIN        | WIRE   |
| 1          | BROWN                 | 1          | BROWN | 1          | BROWN                | 1          | WHITE  |
| 2          | ---                   | 2          | WHITE | 2          | WHITE                | 2          | BROWN  |
| 3          | BLUE                  | 3          | BLUE  | 3          | BLUE                 | 3          | GREEN  |
| 4          | BLACK OR YELLOW/GREEN | 4          | BLACK | 4          | BLACK                | 4          | YELLOW |
| 5          | ---                   | 5          | ---   | 5          | GREY OR YELLOW/GREEN | 5          | GREY   |
|            |                       |            |       |            |                      | 6          | PINK   |
|            |                       |            |       |            |                      | 7          | BLUE   |
|            |                       |            |       |            |                      | 8          | RED    |

## FOR OPTIONS SEE - NUMERICAL CODE - ON SHEET 2

| ITEM | QTY.          | DESCRIPTION             | MATERIAL    | FINISH               |
|------|---------------|-------------------------|-------------|----------------------|
| 7    | 1             | LABEL YELLOW            | VINYL       | ---                  |
|      | -             | PRINTING FOR CABLES lxx | ---         | ---                  |
| 6    | -             | CABLE                   | SEE SHEET 2 | ---                  |
| 5    | -             | OVERMOLDING BLACK       | TPU         | ---                  |
| 4    | 1             | COUPLING NUT FEMALE     | BRASS       | NICKEL               |
| 3    | 1             | INSERT FEMALE BLACK     | PUR         | ---                  |
| 2    | 1             | ORING RED               | FPM         | ---                  |
| 1    | 3 / 4 / 5 / 8 | CONTACT M12 FEMALE      | BRASS       | SELECTIVE Au OVER Ni |

THIS DRAWING CONTAINS INFORMATION THAT IS PROPRIETARY TO MOLEX ELECTRONIC TECHNOLOGIES, LLC AND SHOULD NOT BE USED WITHOUT WRITTEN PERMISSION

DIMENSION UNITS: mm SCALE: 2:1

GENERAL TOLERANCES (UNLESS SPECIFIED): ANGULAR TOL ± 1.0°

4 PLACES ± 0.15  
3 PLACES ± 0.10  
2 PLACES ± 0.05  
1 PLACE ± 0.3  
0 PLACES ± 0.5

EC NO: 726454  
DRWN: LIKITV 2022/09/28  
CHK'D: GGA 2022/11/30  
APPR: GGA 2022/11/30

INITIAL REVISION:  
DRWN: JMARSZALEK 2016/01/12  
APPR: RSILLER 2016/04/08

THIRD ANGLE PROJECTION

DRAWING: A3-SIZE  
SERIES: 120065  
MATERIAL NUMBER: SEE PART LIST  
CUSTOMER: GENERAL MARKET  
SHEET NUMBER: 1 OF 4

DOCUMENT NUMBER: 1200658605  
DOC TYPE: PSD  
DOC PART: 000  
REVISION: A6

**molex**  
CSE M12 XP AC FE STR XM SE UNSH  
PRODUCT CUSTOMER DRAWING

CODING REQUIRED TO IEC 61076-2-101

|                 |    |              |            |          |
|-----------------|----|--------------|------------|----------|
| DOCUMENT STATUS | P1 | RELEASE DATE | 2022/11/30 | 11:33:45 |
|-----------------|----|--------------|------------|----------|

ENGINEERING NO. - NUMERICAL CODE (Available parts see PART LIST table. Others on request).

8 0 X 0 0 0 X X X X X X X X X

80=M12x1 Single ended

Contacts:  
3=3 Contacts  
4=4 Contacts  
5=5 Contacts  
8=8 Contacts

Heads style:  
000=Plug Female Straight

Cable type: See Table

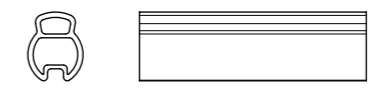
Units:  
M=Meter  
C=Centimeter

Length Examples:  
005=0.5 unit  
010=1 unit  
100=10 units

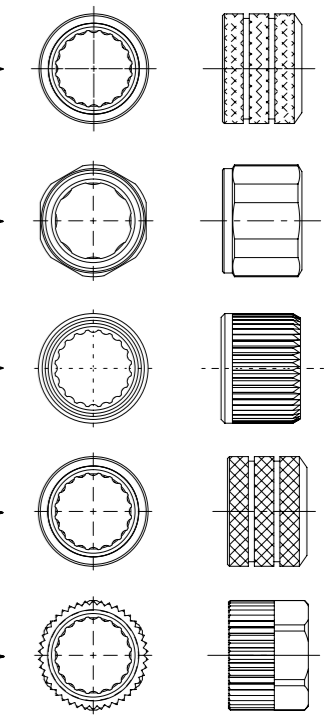
Options

Overmold color:  
Blank (Standard)=Black TPU  
Blank=Yellow TPU for cables A09,S19,S20,S26  
Blank=Yellow TPE-E for cables K03,K05  
A=Grey / G=Black / Y=Yellow

Coupling Nut:  
Blank (Standard) & 3=Knurled Brass Ni Plated  
1=Hexagonal Stainless steel  
5=Knurled Derlin  
7=Knurled Brass Ni Plated, Teflon Coated  
Blank=7 for cables I20, I26, K03, K05, P82, S26  
9=Knurled / Hexagonal Brass Ni Plated SW13

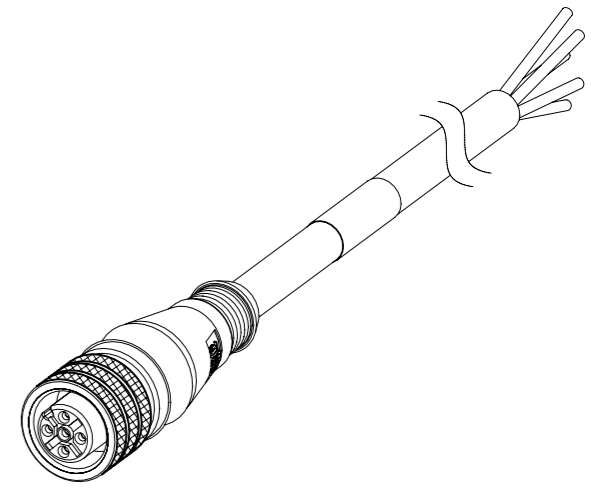


COUPLING NUTS



CABLE INFORMATION (for more information see Cable Data Sheet).

| CABLE TYPE | NO. OF WIRES | CROSS SECTION       | CABLE JACKET   | UL                     | CSA                      | STATIC: TEMP. / BENDING RADIUS | DYNAMIC: TEMP. / BENDING RADIUS | DRAG CHAIN                | SHIELD |
|------------|--------------|---------------------|----------------|------------------------|--------------------------|--------------------------------|---------------------------------|---------------------------|--------|
| E13        | 3            | 18AWG               | PVC YELLOW     | UL 2661/1731           | I/II A/B 80°C/300V       | -                              | -                               | -                         | -      |
| E52        | 3 / 4 / 8    | 0.34mm <sup>2</sup> | PVC GREY       | -                      | -                        | -30°C to +70°C                 | -5°C to +70°C                   | -                         | -      |
| E63        | 5            | 0.34mm <sup>2</sup> | PVC GREY       | -                      | -                        | -30°C to +70°C                 | -5°C to +70°C                   | -                         | YES    |
| H12        | 4            | 0.50mm <sup>2</sup> | PUR BLACK LS0H | UL 21198/10493         | C22.2 I/II A/B 80°C/300V | -50°C to +80°C, 5xO.D.         | -25°C to +80°C, 10xO.D.         | 2 000 000, Temp max 60°C  | -      |
| H69        | 4            | 0.20mm <sup>2</sup> | PUR GREY LS0H  | -                      | -                        | -                              | -                               | -                         | -      |
| I02        | 3 / 4 / 8    | 0.25mm <sup>2</sup> | PVC CEI GREY   | -                      | -                        | -30°C to +70°C                 | -5°C to +70°C                   | -                         | -      |
| I03        | 3 / 4 / 5    | 0.34mm <sup>2</sup> | PVC CEI GREY   | -                      | -                        | -30°C to +70°C                 | -5°C to +70°C                   | -                         | -      |
| I04        | 4            | 0.50mm <sup>2</sup> | PVC CEI GREY   | -                      | -                        | -25°C to +70°C                 | -5°C to +70°C                   | -                         | -      |
| I20        | 3 / 4        | 0.34mm <sup>2</sup> | PVC CEI GREY   | -                      | -                        | -30°C to +70°C                 | -5°C to +70°C                   | -                         | YES    |
| I26        | 5            | 0.34mm <sup>2</sup> | PVC CEI GREY   | -                      | -                        | -30°C to +70°C                 | -5°C to +70°C                   | -                         | -      |
| K03        | 4 / 5        | 0.34mm <sup>2</sup> | TPE YELLOW     | UL JEC 60332-1 or PLCT | I/II 90°C/300V           | -                              | -                               | -                         | -      |
| K05        | 3 / 4 / 5    | 0.34mm <sup>2</sup> | TPE YELLOW     | UL ITC E195601 or PLC  | I/II A/B 90°C/300V       | -                              | -                               | -                         | -      |
| P04        | 4            | 0.50mm <sup>2</sup> | PUR BLACK      | -                      | -                        | -40°C to +90°C, 7.5xO.D.       | -15°C to +90°C, 12.5xO.D.       | -                         | -      |
| P12        | 3 / 5        | 0.50mm <sup>2</sup> | PUR BLACK      | -                      | -                        | -30°C to +90°C                 | -5°C to +90°C                   | -                         | -      |
| P19        | 8            | 0.25mm <sup>2</sup> | PUR BLACK      | -                      | -                        | -40°C to +90°C, 7.5xO.D.       | -15°C to +90°C, 12.5xO.D.       | 2 000 000 cycles, 15xO.D. | YES    |
| P20        | 3 / 4 / 5    | 0.34mm <sup>2</sup> | PUR BLACK LS0H | -                      | -                        | -30°C to +80°C                 | -                               | -                         | YES    |
| P82        | 3 / 4 / 5    | 0.34mm <sup>2</sup> | PUR IRR ORANGE | -                      | -                        | -50°C to +105°C, 5xO.D.        | -40°C to +105°C, 7.5xO.D.       | -                         | -      |
| S19        | 8            | 0.25mm <sup>2</sup> | PVC YELLOW     | UL 2661/1569           | C22.2 II A 105°C/300V    | -30°C to +105°C, 10xO.D.       | -15°C to +105°C, 15xO.D.        | -                         | YES    |
| S20        | 3 / 4 / 5    | 0.34mm <sup>2</sup> | PVC YELLOW     | UL 2661/1731           | C22.2 II A 105°C/300V    | -30°C to +105°C                | -                               | -                         | YES    |
| S26        | 5            | 0.34mm <sup>2</sup> | PVC YELLOW     | UL 2661/1731           | C22.2 II A 105°C/300V    | -30°C to +105°C                | -                               | -                         | YES    |



SCALE 1:1

CABLE LENGTH TOLERANCES

| OVER    | UP TO AND INCLUDING | TOLERANCES             |
|---------|---------------------|------------------------|
| 0       | 305mm               | +19mm                  |
| 305mm   | 915mm               | +45mm                  |
| 915mm   | 1830mm              | +56mm                  |
| 1830mm  | 3660mm              | +89mm                  |
| 3660mm  | 7320mm              | +165mm                 |
| 7320mm  | 14640mm             | +317mm                 |
| 14640mm | 30500mm             | +610mm                 |
| 30500mm | >                   | +2% of finished length |

THIS DRAWING CONTAINS INFORMATION THAT IS PROPRIETARY TO MOLEX ELECTRONIC TECHNOLOGIES, LLC AND SHOULD NOT BE USED WITHOUT WRITTEN PERMISSION

DIMENSION UNITS: mm SCALE: 1:1

CURRENT REV DESC: REMOVED OBSOLETE PART NUMBER AS PER PCN#510807.

**molex**

CSE M12 XP AC FE STR XM SE UNSH

PRODUCT CUSTOMER DRAWING

EC NO: 726454  
DRWN: LIKITV 2022/09/28  
CHK'D: GGA 2022/11/30  
APPR: GGA 2022/11/30

INITIAL REVISION:  
DRWN: JMARSZALEK 2016/01/12  
APPR: RSILLER 2016/04/08

DOCUMENT NUMBER: 1200658605  
DOC TYPE: PSD  
DOC PART: 000  
REVISION: A6

DRAFT WHERE APPLICABLE MUST REMAIN WITHIN DIMENSIONS

THIRD ANGLE PROJECTION


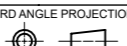
DRAWING: A3-SIZE  
SERIES: 120065  
MATERIAL NUMBER: SEE PART LIST  
CUSTOMER: GENERAL MARKET  
SHEET NUMBER: 2 OF 4

# PART LIST

| No. | Part No.   | Engineering No.  | Cable Length | No. | Part No.   | Engineering No.  | Cable Length | No. | Part No.   | Engineering No. | Cable Length | No. | Part No.   | Engineering No. | Cable Length |
|-----|------------|------------------|--------------|-----|------------|------------------|--------------|-----|------------|-----------------|--------------|-----|------------|-----------------|--------------|
| 1   | 1200060017 | 804000I03M050    | 5m           | 36  | 1200062037 | 804000S20M050H   | 5m           | 71  | 1200064073 | 803000P82M0107  | 1m           | 106 | 1200658256 | 808000S19M006   | 0.6m         |
| 2   | 1200060030 | 803000I03M050    | 5m           | 37  | 1200062040 | 804000S20M030H   | 3m           | 72  | 1200064161 | 804000I20M100   | 10m          | 107 | 1200658282 | 804000P20M250   | 25m          |
| 3   | 1200060033 | 804000I03M100    | 10m          | 38  | 1200062049 | 808000E52M050    | 5m           | 73  | 1200064164 | 804000I20M020   | 2m           | 108 | 1200658283 | 805000I03M020   | 2m           |
| 4   | 1200060145 | 803000I03M020    | 2m           | 39  | 1200062094 | 803000H69M050    | 5m           | 74  | 1200064230 | 804000I03M080   | 8m           | 109 | 1200658293 | 803000E52M3001A | 30m          |
| 5   | 1200060148 | 803000I03M100    | 10m          | 40  | 1200062268 | 804000S20M020H   | 2m           | 75  | 1200064254 | 804000E52M010A  | 1m           | 110 | 1200658299 | 805000P82M100   | 10m          |
| 6   | 1200060166 | 803000S20M010    | 1m           | 41  | 1200062363 | 804000S20M100H   | 10m          | 76  | 1200064256 | 803000P82M0207  | 2m           | 111 | 1200658474 | 805000S20M020   | 2m           |
| 7   | 1200060167 | 803000S20M020    | 2m           | 42  | 1200062364 | 804000P04M020G   | 2m           | 77  | 1200064445 | 805000P12M023   | 2.3m         | 112 | 1200658524 | 803000E13M030   | 3m           |
| 8   | 1200060168 | 803000S20M030    | 3m           | 43  | 1200062454 | 803000P82M0067   | 0.6m         | 78  | 1200064490 | 804000P20M020   | 2m           | 113 | 1200658543 | 804000I20M150   | 15m          |
| 9   | 1200060170 | 803000S20M050    | 5m           | 44  | 1200062496 | 804000S20M010H   | 1m           | 79  | 1200065005 | 805000P82M0207  | 2m           | 114 | 1200658593 | 803000I03M040   | 4m           |
| 10  | 1200060171 | 803000S20M100    | 10m          | 45  | 1200062604 | 804000P20M100    | 10m          | 80  | 1200651108 | 803000K05M020   | 2m           | 115 | 1200658599 | 804000I03M010   | 1m           |
| 11  | 1200060173 | 803000S20M150    | 15m          | 46  | 1200062656 | 804000P20M030    | 3m           | 81  | 1200651110 | 803000K05M050   | 5m           | 116 | 1200658600 | 804000I03M040   | 4m           |
| 12  | 1200060436 | 804000E52M200A   | 20m          | 47  | 1200062657 | 804000P20M050    | 5m           | 82  | 1200651121 | 804000K05M020   | 2m           | 117 | 1200658605 | 805000I03M010   | 1m           |
| 13  | 1200060452 | 804000I03M020    | 2m           | 48  | 1200062675 | 808000P19M030    | 3m           | 83  | 1200651124 | 804000K05M050   | 5m           | 118 | 1200658606 | 805000I03M040   | 4m           |
| 14  | 1200060454 | 804000I03M030    | 3m           | 49  | 1200062676 | 808000P19M050    | 5m           | 84  | 1200651126 | 804000K05M100   | 10m          | 119 | 1200658677 | 808000I02M010   | 1m           |
| 15  | 1200060469 | 804000S20M010    | 1m           | 50  | 1200062754 | 803000P82M0047   | 0.4m         | 85  | 1200651767 | 803000E52M050A  | 5m           | 120 | 1200658678 | 808000I02M020   | 2m           |
| 16  | 1200060470 | 804000S20M020    | 2m           | 51  | 1200062765 | 808000P19M020    | 2m           | 86  | 1200651778 | 804000E52M050A  | 5m           | 121 | 1200658679 | 808000I02M030   | 3m           |
| 17  | 1200060471 | 804000S20M0201 * | 2m           | 52  | 1200062858 | 805000P12M100    | 10m          | 87  | 1200651857 | 804000E52M100A  | 10m          | 122 | 1200658680 | 808000I02M040   | 4m           |
| 18  | 1200060472 | 804000S20M030    | 3m           | 53  | 1200062869 | 804000P20M150    | 15m          | 88  | 1200652019 | 808000P19M100   | 10m          | 123 | 1200658681 | 808000I02M050   | 5m           |
| 19  | 1200060474 | 804000S20M050    | 5m           | 54  | 1200062969 | 805000I26M100    | 10m          | 89  | 1200655003 | 805000S26M050   | 5m           | 124 | 1200658682 | 808000I02M100   | 10m          |
| 20  | 1200060476 | 804000S20M100    | 10m          | 55  | 1200063017 | 804000P04M0083   | 0.8m         | 90  | 1200655009 | 805000S26M100   | 10m          | 125 | 1200658701 | 804000I03M010G  | 1m           |
| 21  | 1200060478 | 804000S20M150    | 15m          | 56  | 1200063035 | 805000P20M100    | 10m          | 91  | 1200655010 | 804000S20M150H  | 15m          | 126 | 1200658702 | 804000I03M020G  | 2m           |
| 22  | 1200060644 | 805000I03M030    | 3m           | 57  | 1200063041 | 805000P12M0033   | 0.3m         | 92  | 1200655025 | 805000I03M100G  | 10m          | 127 | 1200658703 | 804000I03M030G  | 3m           |
| 23  | 1200060645 | 805000I03M100    | 10m          | 58  | 1200063114 | 804000P04M0163   | 1.6m         | 93  | 1200655074 | 808000P19M060   | 6m           | 128 | 1200658704 | 804000I03M040G  | 4m           |
| 24  | 1200060715 | 805000P82M050    | 5m           | 59  | 1200063141 | 803000P12M0033   | 0.3m         | 94  | 1200656198 | 808000S19M010   | 1m           | 129 | 1200658705 | 804000I03M050G  | 5m           |
| 25  | 1200061240 | 803000P82M0507   | 5m           | 60  | 1200063182 | 804000S20M0501H  | 5m           | 95  | 1200656199 | 808000S19M020   | 2m           | 130 | 1200658706 | 804000I03M100G  | 10m          |
| 26  | 1200061559 | 803000I20M100    | 10m          | 61  | 1200063205 | 804000I03M060    | 6m           | 96  | 1200656200 | 808000S19M030   | 3m           | 131 | 1200658817 | 805000I26M010   | 1m           |
| 27  | 1200061620 | 804000E52M3001A  | 30m          | 62  | 1200063409 | 804000S20M1001 * | 10m          | 97  | 1200656201 | 808000S19M050   | 5m           | 132 | 1200658972 | 808000S19M100   | 10m          |
| 28  | 1200061680 | 804000H69M050    | 5m           | 63  | 1200063562 | 804000I04M030    | 3m           | 98  | 1200658015 | 805000E63M020A  | 2m           | 133 | 1200659026 | 805000P82M1007  | 10m          |
| 29  | 1200061727 | 805000I26M050    | 5m           | 64  | 1200063569 | 803000S20M003    | 0.3m         | 99  | 1200658086 | 805000P12M020   | 2m           | 134 | 1200659049 | 805000P20M050   | 5m           |
| 30  | 1200061936 | 805000E63M050A   | 5m           | 65  | 1200063684 | 804000S20M2001 * | 20m          | 100 | 1200658104 | 808000P19M150   | 15m          | 135 | 1200659060 | 804000I03M050Y  | 5m           |
| 31  | 1200061955 | 804000I03M200A   | 20m          | 66  | 1200063819 | 804000E52K0011A  | 100m         | 101 | 1200658221 | 804000I20M050   | 5m           | 136 | 1200659064 | 803000I03M050Y  | 5m           |
| 32  | 1200061956 | 804000I03M300A   | 30m          | 67  | 1200063824 | 805000I03M050G   | 5m           | 102 | 1200658230 | 805000S20M050   | 5m           | 137 | 1200659065 | 804000I03M100Y  | 10m          |
| 33  | 1200061957 | 804000I03M400A   | 40m          | 68  | 1200063859 | 804000S20M0501 * | 5m           | 103 | 1200658236 | 808000E52M020   | 2m           | 138 | 1200659075 | 804000I03M020Y  | 2m           |
| 34  | 1200061970 | 804000I03M100A   | 10m          | 69  | 1200063913 | 805000P20M003    | 0.3m         | 104 | 1200658242 | 804000H69M300   | 30m          | 139 | 1200659085 | 805000I03M050Y  | 5m           |
| 35  | 1200062003 | 805000I03M050    | 5m           | 70  | 1200063993 | 804000S20M200    | 20m          | 105 | 1200658252 | 805000S26M020   | 2m           | 140 | 1200659090 | 805000I26M100Y  | 10m          |

**NOTES:**

\* - Part No. with Yellow PVC overmolding

|   |         |  |         |        |                 |                |  |          |              |
|---|---------|--|---------|--------|-----------------|----------------|--|----------|--------------|
| THIS DRAWING CONTAINS INFORMATION THAT IS PROPRIETARY TO MOLEX ELECTRONIC TECHNOLOGIES, LLC AND SHOULD NOT BE USED WITHOUT WRITTEN PERMISSION |         |  |         |        |                 |                |  |          |              |
| DIMENSION UNITS   | SCALE   | CURRENT REV DESC: REMOVED OBSOLETE PART NUMBER AS PER PCN#510807.  |         |        |                 |                |  |          |              |
| mm  | 1:1     | <br>CSE M12 XP AC FE STR XM SE UNSH<br>PRODUCT CUSTOMER DRAWING |         |        |                 |                |  |          |              |
| GENERAL TOLERANCES (UNLESS SPECIFIED)   |         |  |         |        |                 |                |  |          |              |
| ANGULAR TOL   | ± 1.0 ° | EC NO: 726454<br>DRWN: LIKITV 2022/09/28<br>CHK'D: GGA 2022/11/30<br>APPR: GGA 2022/11/30  |         |        |                 |                |  |          |              |
| 4 PLACES  | ±       | INITIAL REVISION:  |         |        |                 |                |  |          |              |
| 3 PLACES  | ±       | DRWN: JMARSZALEK 2016/01/12  |         |        |                 |                |  |          |              |
| 2 PLACES  | ± 0.05  | APPR: RSILLER 2016/04/08   |         |        |                 |                |  |          |              |
| 1 PLACE   | ± 0.3   | DOCUMENT NUMBER  |         |        |                 |                |  |          |              |
| 0 PLACES  | ± 0.5   | 1200658605   |         |        |                 |                |  |          |              |
| DRAFT WHERE APPLICABLE MUST REMAIN WITHIN DIMENSIONS  |         | THIRD ANGLE PROJECTION   | DRAWING | SERIES | MATERIAL NUMBER | CUSTOMER       |  | DOC TYPE | DOC PART     |
|   |         |   | A3-SIZE | 120065 | SEE PART LIST   | GENERAL MARKET |  | PSD      | 000          |
|   |         |  |         |        |                 |                |  |          | REVISION     |
|   |         |  |         |        |                 |                |  |          | A6           |
|   |         |  |         |        |                 |                |  |          | SHEET NUMBER |
|   |         |  |         |        |                 |                |  |          | 3 OF 4       |

|                 |    |              |            |          |
|-----------------|----|--------------|------------|----------|
| DOCUMENT STATUS | P1 | RELEASE DATE | 2022/11/30 | 11:33:45 |
|-----------------|----|--------------|------------|----------|

# PART LIST

| No. | Part No.   | Engineering No. | Cable Length |
|-----|------------|-----------------|--------------|
| 141 | 1200659113 | 804000H12M050   | 5m           |
| 142 | 1200659116 | 805000I26M050Y  | 5m           |
| 143 | 1200659119 | 803000I03M020Y  | 2m           |
| 144 | 1200659175 | 808000S19M200H  | 20m          |
| 145 | 1200659177 | 804000I03M030Y  | 3m           |
| 146 | 1200659183 | 808000S19M150H  | 15m          |
| 147 | 1200659271 | 804000H12M100   | 10m          |
| 148 | 1200659371 | 805000I03M100Y  | 10m          |
| 149 | 1200659376 | 804000S20M350   | 35m          |
| 150 | 1200659390 | 803000S20M070   | 7m           |
| 151 | 1200659393 | 805000P12M050   | 5m           |
| 152 | 1200659558 | 803000I20M100Y  | 10m          |
| 153 | 1200659593 | 804000H12M020   | 2m           |
| 154 | 1200659621 | 804000I04M050   | 5m           |
| 155 | 1200659635 | 805000P20M300   | 30m          |
| 156 | 1200659767 | 804000H12M0209  | 2m           |
| 157 | 1200659768 | 804000H12M0309  | 3m           |
| 158 | 1200659769 | 804000H12M0509  | 5m           |
| 159 | 1200659770 | 804000H12M1009  | 10m          |
| 160 | 1200659989 | 805000S26M200   | 20m          |
| 161 | 1200659997 | 808000E52M100   | 10m          |
| 162 | 1200868439 | 808000S19M150   | 15m          |
| 163 | 1200651122 | 804000K05M030   | 3m           |
| 164 | 1200651367 | 805000K03M020   | 2m           |
| 165 | 1200651370 | 805000K03M050   | 5m           |
| 166 | 1200651373 | 805000K03M100   | 10m          |

|   |                     |   |         |        |                                 |               |                |          |              |
|---|---------------------|---|---------|--------|---------------------------------|---------------|----------------|----------|--------------|
| THIS DRAWING CONTAINS INFORMATION THAT IS PROPRIETARY TO MOLEX ELECTRONIC TECHNOLOGIES, LLC AND SHOULD NOT BE USED WITHOUT WRITTEN PERMISSION |                     |   |         |        |                                 |               |                |          |              |
| DIMENSION UNITS<br><b>mm</b>  | SCALE<br><b>1:1</b> | CURRENT REV DESC: REMOVED OBSOLETE PART NUMBER AS PER PCN#510807. |         |        | <b>molex</b>                    |               |                |          |              |
| GENERAL TOLERANCES (UNLESS SPECIFIED)   |                     | EC NO: 726454   |         |        |                                 |               |                |          |              |
| ANGULAR TOL ± 1.0 °   |                     | DRWN: LIKITV 2022/09/28   |         |        | CSE M12 XP AC FE STR XM SE UNSH |               |                |          |              |
| 4 PLACES ±  |                     | CHK'D: GGA 2022/11/30   |         |        | PRODUCT CUSTOMER DRAWING        |               |                |          |              |
| 3 PLACES ±  |                     | APPR: GGA 2022/11/30  |         |        | DOCUMENT NUMBER                 |               |                |          |              |
| 2 PLACES ± 0.05   |                     | INITIAL REVISION:   |         |        | 1200658605                      |               | DOC TYPE       | DOC PART | REVISION     |
| 1 PLACE ± 0.3   |                     | DRWN: JMARSZALEK 2016/01/12                                       |         |        | PSD                             |               | 000            | A6       |              |
| 0 PLACES ± 0.5  |                     | APPR: RSILLER 2016/04/08  |         |        | MATERIAL NUMBER                 |               | CUSTOMER       |          | SHEET NUMBER |
| DRAFT WHERE APPLICABLE MUST REMAIN WITHIN DIMENSIONS  |                     | THIRD ANGLE PROJECTION  | DRAWING | SERIES | 120065                          | SEE PART LIST | GENERAL MARKET |          | 4 OF 4       |

|                 |    |              |            |          |
|-----------------|----|--------------|------------|----------|
| DOCUMENT STATUS | P1 | RELEASE DATE | 2022/11/30 | 11:33:45 |
|-----------------|----|--------------|------------|----------|