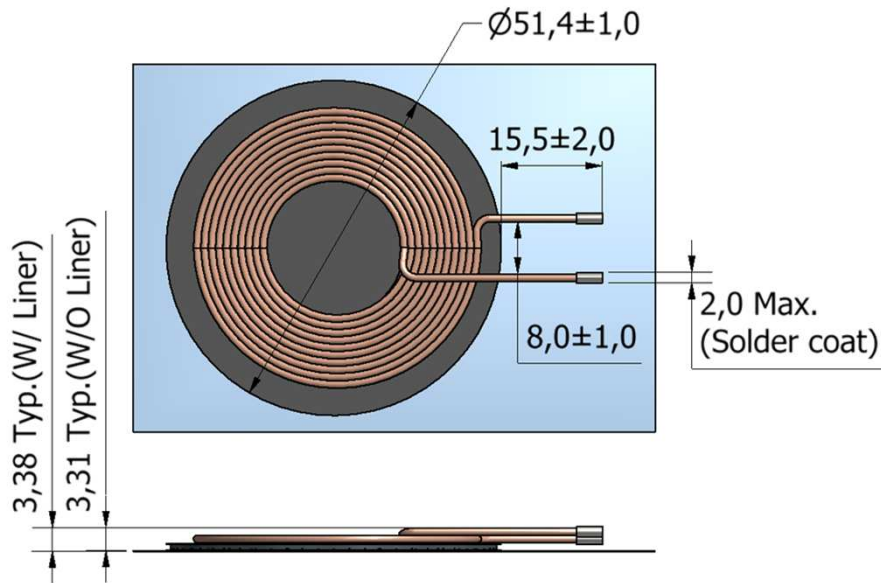


# WT505090-10F2-LP-G1(Flexible Type)



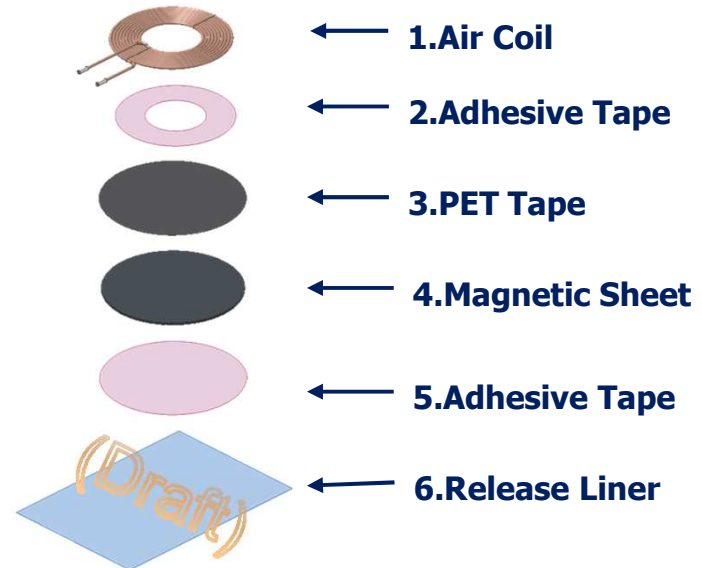
## = Dimension of coil unit =



## = Coil unit Assembly =

Unit : mm

| Stack                       | TDK Item       | Typ.  | Max.  |
|-----------------------------|----------------|-------|-------|
| 1                           | Coil+Resin     | 1.050 | 1.300 |
|                             | Coil+Resin     | 1.050 | 1.300 |
| 2                           | Adhesive Tape  | 0.135 | 0.142 |
| 3                           | PET Tape       | 0.050 | 0.053 |
| 4                           | Magnetic Sheet | 0.900 | 0.990 |
| 5                           | Adhesive Tape  | 0.120 | 0.126 |
| 6                           | Release Liner  | 0.075 | 0.079 |
| Total Thickness (W/O Liner) |                | 3.31  | 3.91  |
| Total Thickness (W/ Liner)  |                | 3.38  | 3.99  |



## = Electrical Characteristics =

- $L_s$  : 6.3  $\mu\text{H}$  typ. @100kHz
- $R_{dc}$  : 0.06  $\Omega$  typ. @100kHz