

PART NUMBER	PACKAGING
149-0701-801	ONE PIECE PER BAG

REV	ECO	DATE
2	EC-2005027	20MAY2020
3	-	29JUL2020
4	EC-2007028	05NOV2020

NOTES:

1. MATERIAL AND FINISH:

- 1.1 MAIN BODY: BERYLLIUM COPPER, GOLD PLATE
- 1.2 MOUNTING BODY: BRASS, GOLD PLATE
- 1.3 CONTACT: BERYLLIUM COPPER, GOLD PLATE
- 1.4 MAIN INSULATOR: ULTEM 1000, AMBER
- 1.5 MOUNTING INSULATOR: PTFE
- 1.6 BOLT&WASHERS: STAINLESS STEEL

2. ELECTRICAL SPECIFICATIONS:

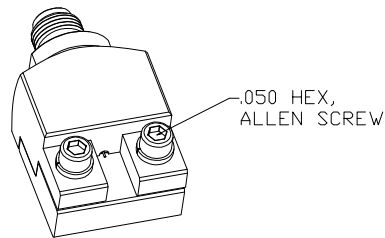
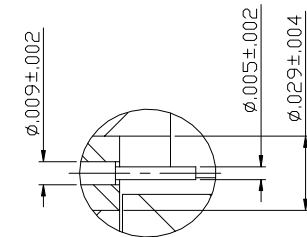
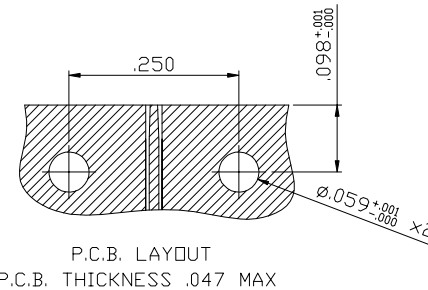
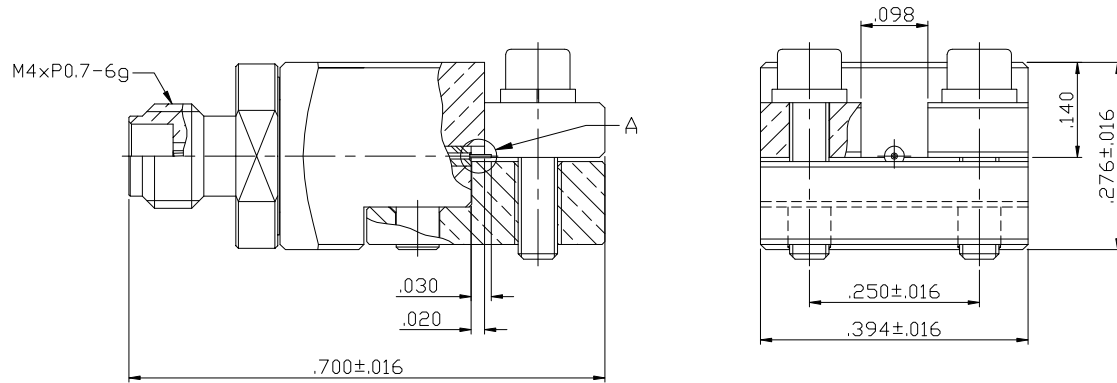
- 2.1 IMPEDANCE: 50 OHMS NOMINAL
- 2.2 FREQUENCY RANGE: DC~110 GHz
- 2.3 RETURN LOSS: DC~67 GHz -15 dB MAX.
67~110 GHz -10 dB MAX.
- 2.4 INSERTION LOSS: 0.6 dB TYPICAL
- 2.5 DIELECTRIC WITHSTANDING VOLTAGE: 500 VRMS MIN.
- 2.6 INSULATION RESISTANCE: 5000 MEGOHM MIN.
- 2.7 CONTACT RESISTANCE:
 - 2.7.1 CENTER CONTACT - 8.0 MILLIOHM MAX.
 - 2.7.2 OUTER CONDUCTOR - 1.0 MILLIOHM MAX.

3. MECHANICAL SPECIFICATIONS:

- 3.1 INTERFACE STANDARD: IEEE 287 GPC
- 3.2 MATING TORQUE: 0.35 Nm MAX.
- 3.3 COUPLING PROOF TORQUE: 0.7 Nm MIN.
- 3.4 DURABILITY: 500 CYCLES MIN.

4. ENVIRONMENTAL:

- 4.1 THERMAL SHOCK: MIL-STD-202, METHOD 107, CONDITION B
- 4.2 OPERATING TEMPERATURE: -65°C TO 165°C
- 4.3 MOISTURE RESISTANCE: MIL-STD-202, METHOD 106
- 4.4 MECHANICAL SHOCK: MIL-STD-202, METHOD 213, CONDITION I
- 4.5 VIBRATION: MIL-STD-202, METHOD 204, CONDITION D



	Model No:	149-0701-801/810	JOHNSON	
	RoHS <input checked="" type="checkbox"/> <small>EU/2015/863</small> COMPLIANT	Code Code UNLESS OTHERWISE SPECIFIED .XXX ±.008 .XXXX ±.008 ANGLES ±5°	3RD ANGLE PROJECTION Drawn by: Bill Peng Date: 11/05/2020	Title: 1.0MM FEMALE END LAUNCH 110 GHz, SCREW-ON TYPE
<small>THIS PROPRIETARY DOCUMENT IS THE PROPERTY OF CINCH CONNECTIVITY SOLUTIONS. IT IS CONFIDENTIAL AND NOT BE LOANED, REPRODUCED, COPIED, OR DISCLOSED TO ANY OTHER PERSON OR ENTITY WITHOUT THE WRITTEN PERMISSION OF CINCH CONNECTIVITY SOLUTIONS.</small>	<small>INTERPRET DRAWING IN ACCORDANCE WITH ASME Y14.5-2009.</small>	Size: B DO NOT SCALE DRAWING	Parameters: NONE	Sheet: 1 OF 1