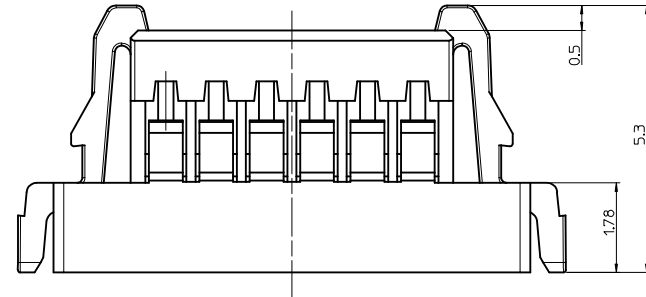
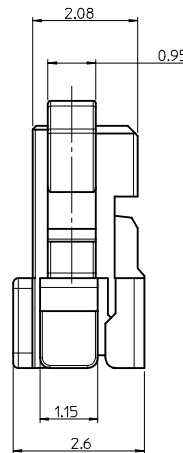
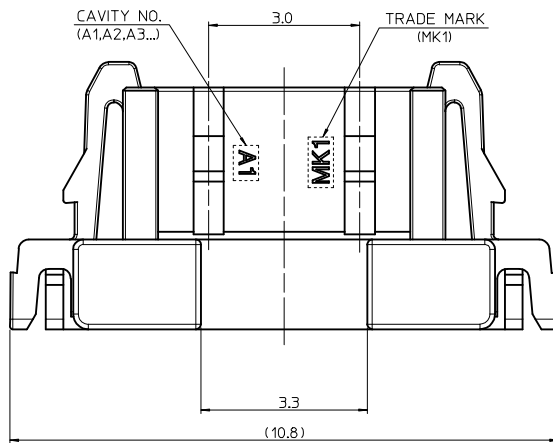
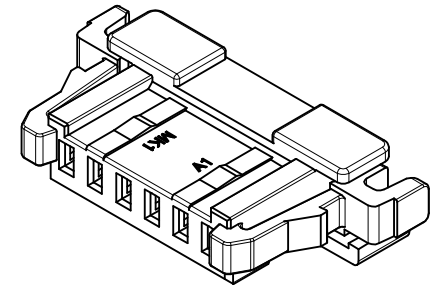
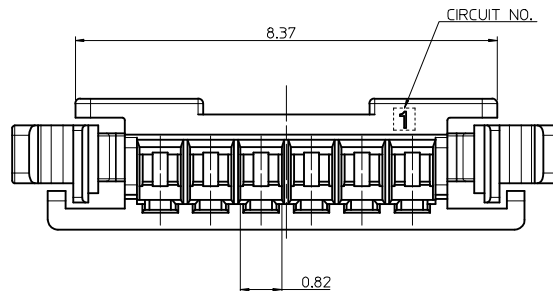


MATED CONDITION  
(REFERENCE)

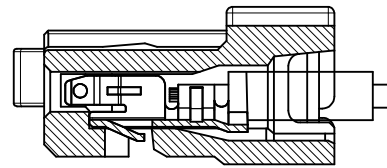
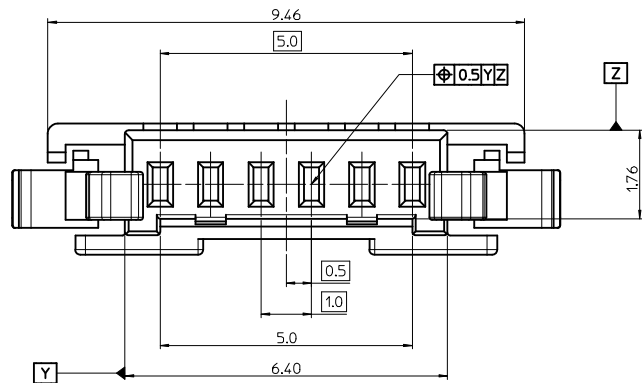


NOTES.

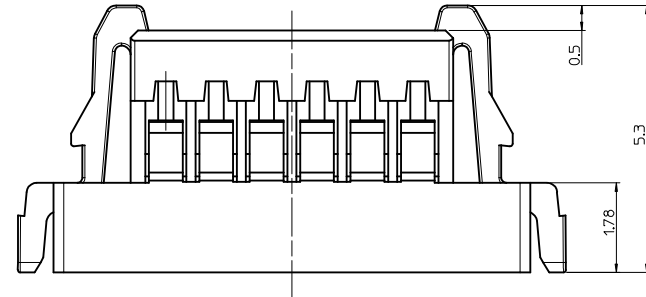
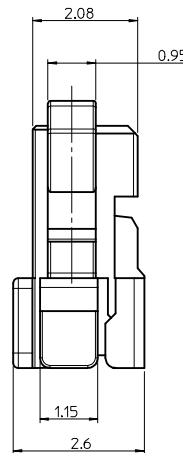
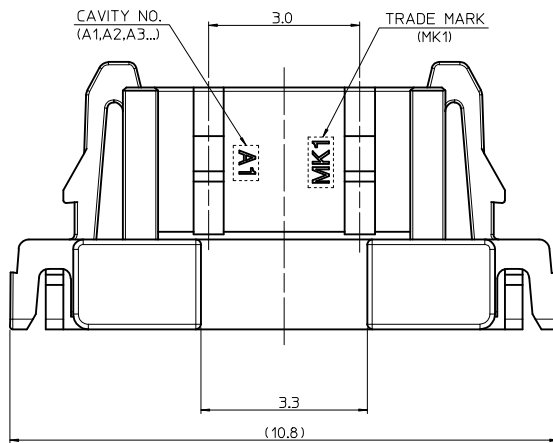
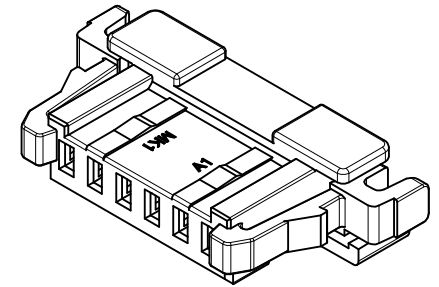
- MATERIAL : LIQUID CRYSTAL POLYMER(LCP)  
GLASS FILLED, UL94V-0  
HALOGEN FREE, COLOR OF NATURAL
- MATED WITH HEADER ASS'Y : 104127-0620
- APPLICABLE TERMINAL : 104539-8002



<b>RELEASED</b> EC NO: KOR2014-0105 DRWN: SCHONG03 2014/09/30 CHKD: SHCHU 2014/09/30 APPR: YSK1M02 2014/12/24	QUALITY SYMBOLS = 0 = 0	GENERAL TOLERANCES (UNLESS SPECIFIED)		DIMENSION STYLE <b>MM ONLY</b>	SCALE <b>10:1</b>	DESIGN UNITS <b>METRIC</b>	THIRD ANGLE PROJECTION																		
		<table border="1"> <thead> <tr> <th></th> <th>mm</th> <th>INCH</th> </tr> </thead> <tbody> <tr> <td>4 PLACES</td> <td>± ---</td> <td>± ---</td> </tr> <tr> <td>3 PLACES</td> <td>± ---</td> <td>± ---</td> </tr> <tr> <td>2 PLACES</td> <td>± 0.15</td> <td>± ---</td> </tr> <tr> <td>1 PLACE</td> <td>± 0.20</td> <td>± ---</td> </tr> <tr> <td>0 PLACE</td> <td>± 0.20</td> <td>± ---</td> </tr> </tbody> </table>		mm	INCH	4 PLACES	± ---	± ---	3 PLACES	± ---	± ---	2 PLACES	± 0.15	± ---	1 PLACE	± 0.20	± ---	0 PLACE	± 0.20	± ---	DRAWN BY SCHONG03	DATE 2014/09/30	TITLE <b>1.0MM W-T-B CONN. HOUSING -6P (S/T) (SIDE LOCKING)</b>		
			mm	INCH																					
		4 PLACES	± ---	± ---																					
3 PLACES	± ---	± ---																							
2 PLACES	± 0.15	± ---																							
1 PLACE	± 0.20	± ---																							
0 PLACE	± 0.20	± ---																							
DRAFT WHERE APPLICABLE MUST REMAIN WITHIN DIMENSIONS	CHECKED BY SHCHU	DATE 2014/09/30	<b>molex</b>																						
REV <b>A</b>	DESCRIPTION <b>1041280610</b>	APPROVED BY YSK1M02	DATE 2014/12/24	MATERIAL NO. <b>1041280610</b>	DOCUMENT NO. <b>SD-104128-004</b>	SHEET NO. <b>1 OF 1</b>																			

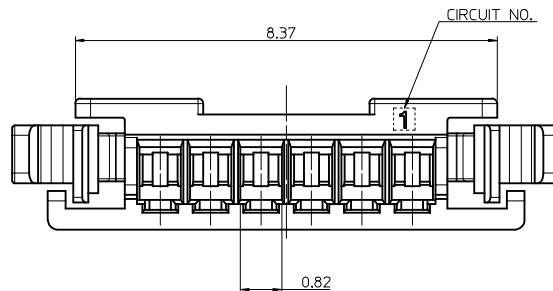


MATED CONDITION  
(REFERENCE)



NOTES.

- MATERIAL : LIQUID CRYSTAL POLYMER(LCP)  
GLASS FILLED, UL94V-0  
HALOGEN FREE, COLOR OF NATURAL
- MATED WITH HEADER ASS'Y : 104127-0620
- APPLICABLE TERMINAL : 104539-8002



<b>RELEASED</b> EC NO: KOR2014-0105 DRWN: SCHONG03 2014/09/30 CHKD: SHCHU 2014/09/30 APPR: YSK1M02 2014/12/24	QUALITY SYMBOLS = 0 = 0	GENERAL TOLERANCES (UNLESS SPECIFIED)		DIMENSION STYLE <b>MM ONLY</b>	SCALE <b>10:1</b>	DESIGN UNITS <b>METRIC</b>	THIRD ANGLE PROJECTION																		
		<table border="1"> <thead> <tr> <th></th> <th>mm</th> <th>INCH</th> </tr> </thead> <tbody> <tr> <td>4 PLACES</td> <td>± ---</td> <td>± ---</td> </tr> <tr> <td>3 PLACES</td> <td>± ---</td> <td>± ---</td> </tr> <tr> <td>2 PLACES</td> <td>± 0.15</td> <td>± ---</td> </tr> <tr> <td>1 PLACE</td> <td>± 0.20</td> <td>± ---</td> </tr> <tr> <td>0 PLACE</td> <td>± 0.20</td> <td>± ---</td> </tr> </tbody> </table>		mm	INCH	4 PLACES	± ---	± ---	3 PLACES	± ---	± ---	2 PLACES	± 0.15	± ---	1 PLACE	± 0.20	± ---	0 PLACE	± 0.20	± ---	DRAWN BY SCHONG03	DATE 2014/09/30	TITLE <b>1.0MM W-T-B CONN. HOUSING -6P (S/T) (SIDE LOCKING)</b>		
			mm	INCH																					
		4 PLACES	± ---	± ---																					
3 PLACES	± ---	± ---																							
2 PLACES	± 0.15	± ---																							
1 PLACE	± 0.20	± ---																							
0 PLACE	± 0.20	± ---																							
DRAFT WHERE APPLICABLE MUST REMAIN WITHIN DIMENSIONS	CHECKED BY SHCHU	DATE 2014/09/30	<b>molex</b>																						
REV <b>A</b>	DESCRIPTION <b>1</b>	MATERIAL NO. <b>1041280610</b>	DOCUMENT NO. <b>SD-104128-004</b>	SHEET NO. <b>1 OF 1</b>																					