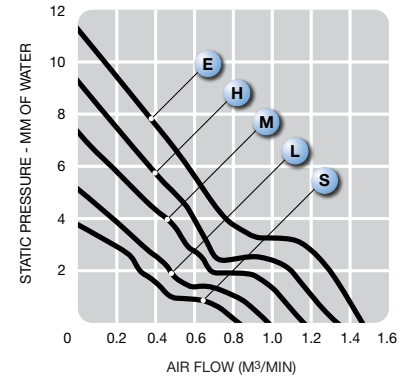
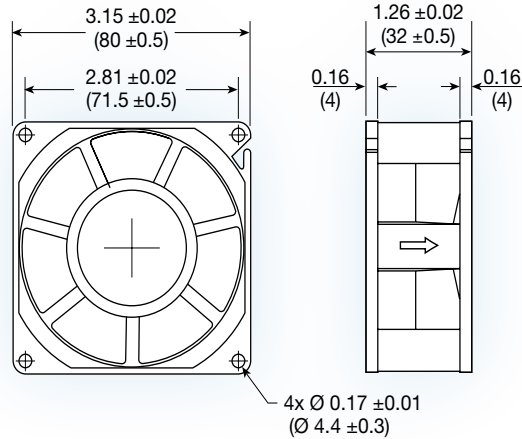


G8032 series



(80 x 80 x 32 mm)

3.15 x 3.15 x 1.26 inches

Construction: UL94V-0 PBT impeller & frame

Bearing option: ball bearing

Connection: AWG 24, 1007 lead wires

Frame: ribbed

Protection: thermal

Options: tachometer output or locked rotor alarm signal; encapsulated motor; PWM speed control

Model No.	Rated Voltage V	Current mA		Speed RPM	Air Volume		Max. Static Pressure (H ₂ O)		Sound Noise dB _A	Weight g
		12	24		M ³ /Min.	CFM	MM	INCH		
G8032S	12/24	140	100	2,500	0.82	29	3.70	0.15	30	129
G8032L	12/24	200	150	3,000	0.97	34	5.10	0.20	34	129
G8032M	12/24	260	200	3,500	1.17	41	7.30	0.29	38	129
G8032H	12/24	450	250	4,000	1.35	48	9.30	0.37	42	129
G8032E	12/24	550	330	4,500	1.47	52	11.30	0.44	46	129