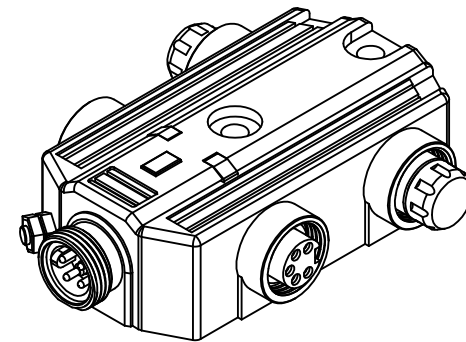
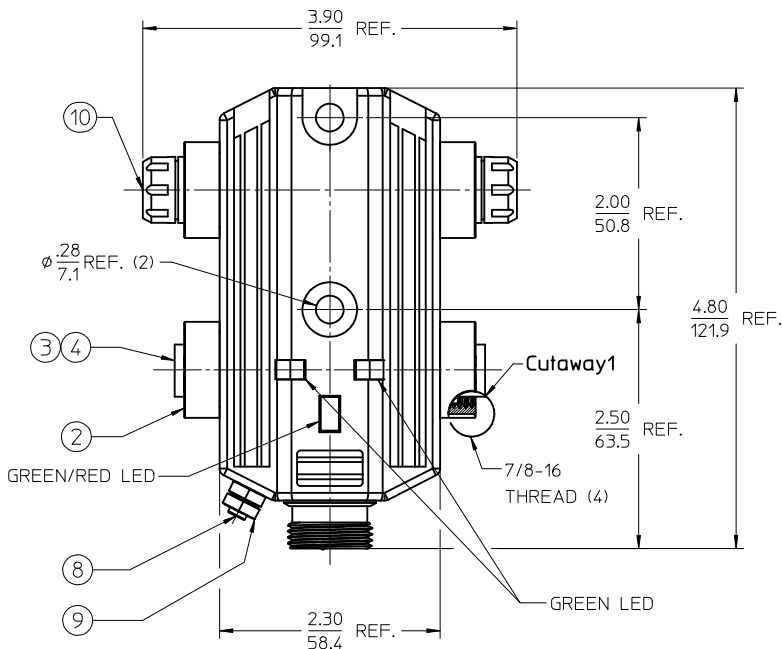
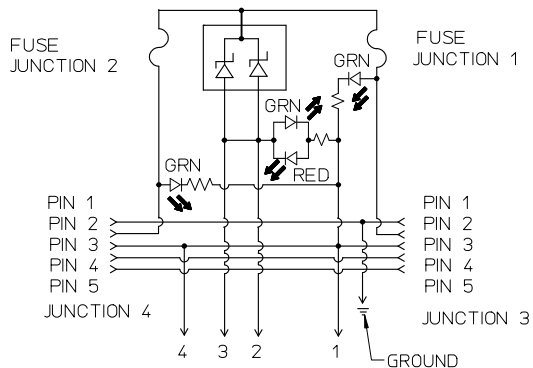
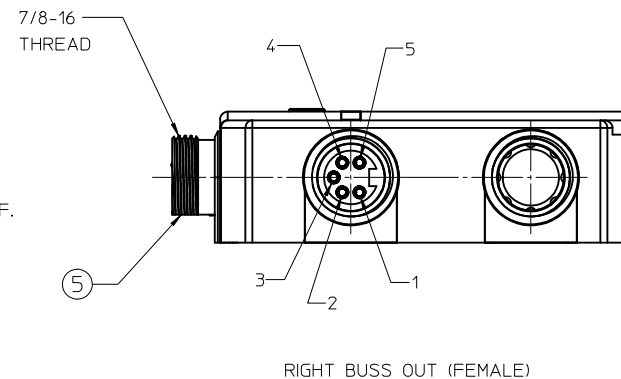
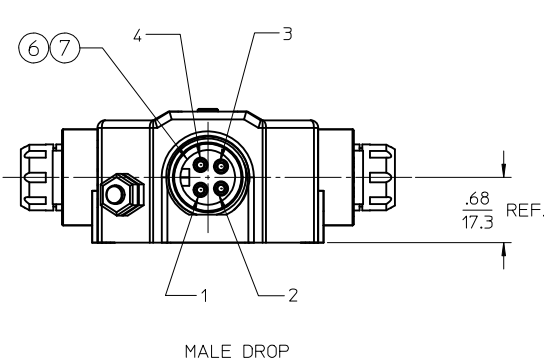
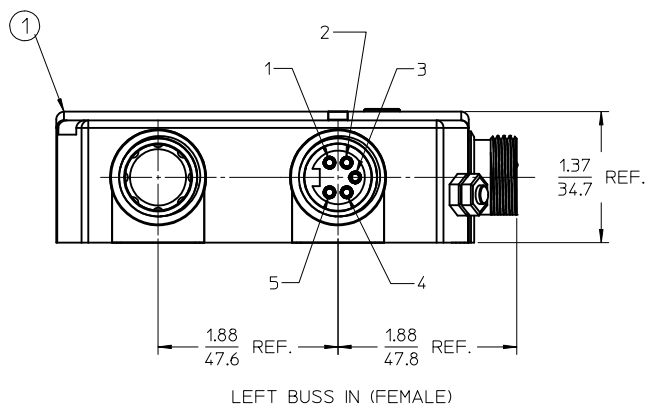


SCHEMATIC



- NOTES:
1. MATERIAL: SEE TABLE
 2. FINISHES: SEE TABLE
 3. PACKAGING: PART IS PACKED IN A CLEARS POLY BAG INSIDE A CARDBOARD BOX ALONG WITH A WIRING SCHEMATIC.
 4. MATES WITH: NONE
 5. ELECTRICAL SPECIFICATIONS:
VOLTAGE RATING: 50VDC
FUSE PROTECTION: 4 AMPS
GROUND: 10-32 SCREW
 6. ENVIRONMENTAL: IP67
 7. OPERATING TEMP: -20° TO 158°F (-29°C TO 70°C)



10	2	FUSE HOLDER	THERMOPLASTIC	BLACK
9	2	HEXNUT, 10-32	BRASS	
8	1	GROUND PIN	BRASS	
7	1	MALE INSERT	TPE	GRAY
6	4	CONTACT PIN	CU ALLOY	GOLD PLATED
5	1	MALE RECEPTACLE	ZINC (DIECAST)	BLACK
4	2	FEMALE INSERT	TPE	GRAY
3	10	CONTACT SOCKET	CU ALLOY	GOLD PLATED
2	4	FEMALE RECEPTACLE	ZINC (DIECAST)	BLACK
1	1	HOUSING	PBT	BLACK
ITEM	QTY.	DESCRIPTION	MATERIAL	FINISH

RELEASED EC NO: MNA2010-0417 DRWR:STONE 2010/01/21 CHKDR:STONE 2010/01/22 APPR:JMURPHY 2010/01/25	QUALITY SYMBOLS ▽=0 ▽=0	GENERAL TOLERANCES (UNLESS SPECIFIED)		DIMENSION STYLE IN/MM		SCALE 1:1	DESIGN UNITS INCH	THIRD ANGLE PROJECTION	
		4 PLACES ± --- ± --- 3 PLACES ± --- ± --- 2 PLACES ± --- ± .010 1 PLACE ± 0.3 ± ---		DRAWN BY R.STONE		DATE 2010/01/20	TITLE POWER-TAP, MALE DROP TO FEMALE/FEMALE		
		ANGULAR ±1/2°		CHECKED BY B.WOODMAN		DATE 2010/01/22	MOLEX INCORPORATED		
		DRAFT WHERE APPLICABLE MUST REMAIN WITHIN DIMENSIONS		APPROVED BY JFMURPHY		DATE 2010/01/22	MATERIAL NO. 848569112		DOCUMENT NO. SD-84856-019

THIS DRAWING CONTAINS INFORMATION THAT IS PROPRIETARY TO MOLEX INCORPORATED AND SHOULD NOT BE USED WITHOUT WRITTEN PERMISSION