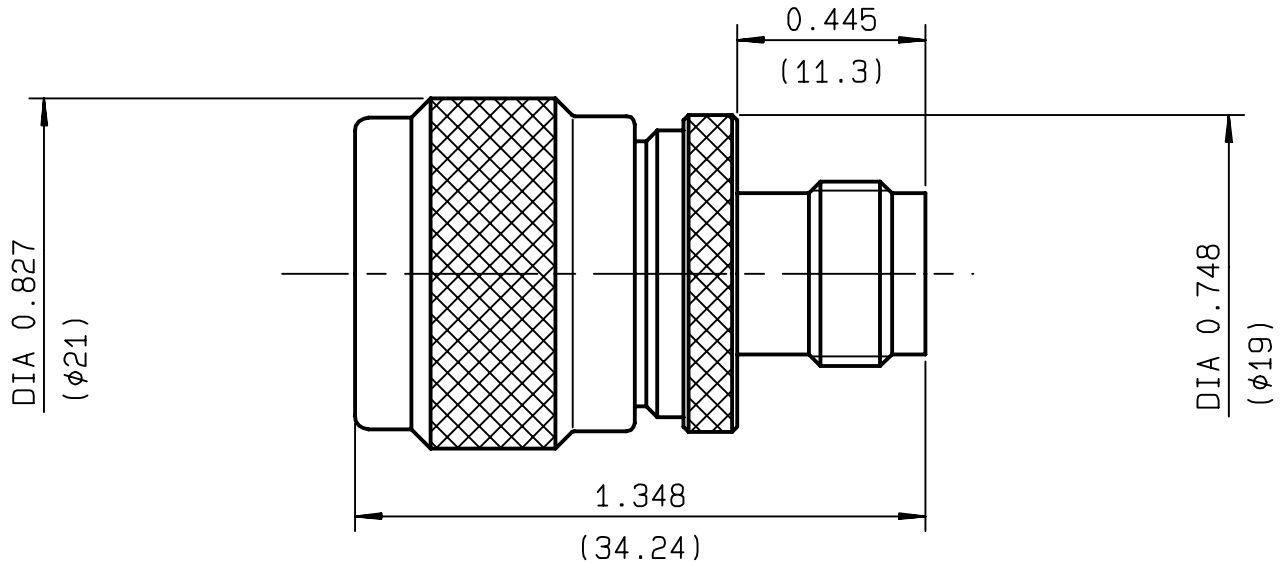


N MALE - TNC FEMALE STRAIGHT ADAPTER

R191.513.050
SERIES ADAPT



NOMINAL IMPEDANCE	50 Ω	CABLES :	
FREQUENCY RANGE	0-11 GHz		
TEMPERATURE RATING	-55/+155 °C		
V.S.W.R	1.3 + 0 x F(GHz)Maxi		
RF INSERTION LOSS	0.048 √F(GHz) dB Maxi		
VOLTAGE RATING	500 Veff Maxi		
DIELECTRIC WITHSTANDING VOLTAGE	1000 Veff Mini		
INSULATION RESISTANCE	5000 MΩMini	OTHERS CHARACTERISTICS	
HERMETIC SEAL	NA Atm.cm ³ /s	CABLE RETENTION	N Mini
LEAKAGE (pressurized only)	NA	CENTER CONTACT RETENTION	
MECHANICAL DURABILITY	500 Cycles	Axial force - mating end	18 N Mini
WEIGHT	gr	Axial force - opposite end	18 N Mini
SPECIFICATION		Torque	NA cm.N Mini
		RECOMMENDED TORQUES	
		Mating	NA cm.N
		Panel nut	NA cm.N
		Clamp nut	NA cm.N

CONNECTOR PARTS	MATERIALS	FINISH
BODY	BRASS	BLACK-CHROMIUM 0.2 OVER NICKEL 3.5
OUTER CONTACT	BRASS	NICKEL 2
CENTER CONTACT	BERYLLIUM COPPER	GOLD 0.5 OVER NICKEL 2
INSULATOR	PTFE	-
GASKET	SILICONE RUBBER	-
OTHERS PIECES	BRASS	BLACK-CHROMIUM 0.2 OVER NICKEL 2

(all values are given in micrometers)

RAFFAELI

ISSUE	CREATION DATE	FILE PART-NUMBER
0204B00	10/09/1997	97-0400-567



RADIALL®

The information given here is subject to change without notice.
 Design changes may be in order to improve the product .

Connect to the future