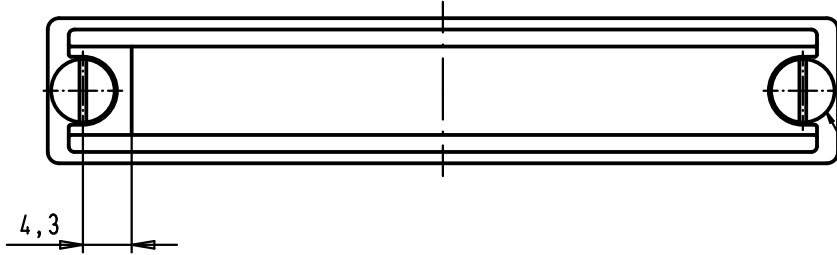
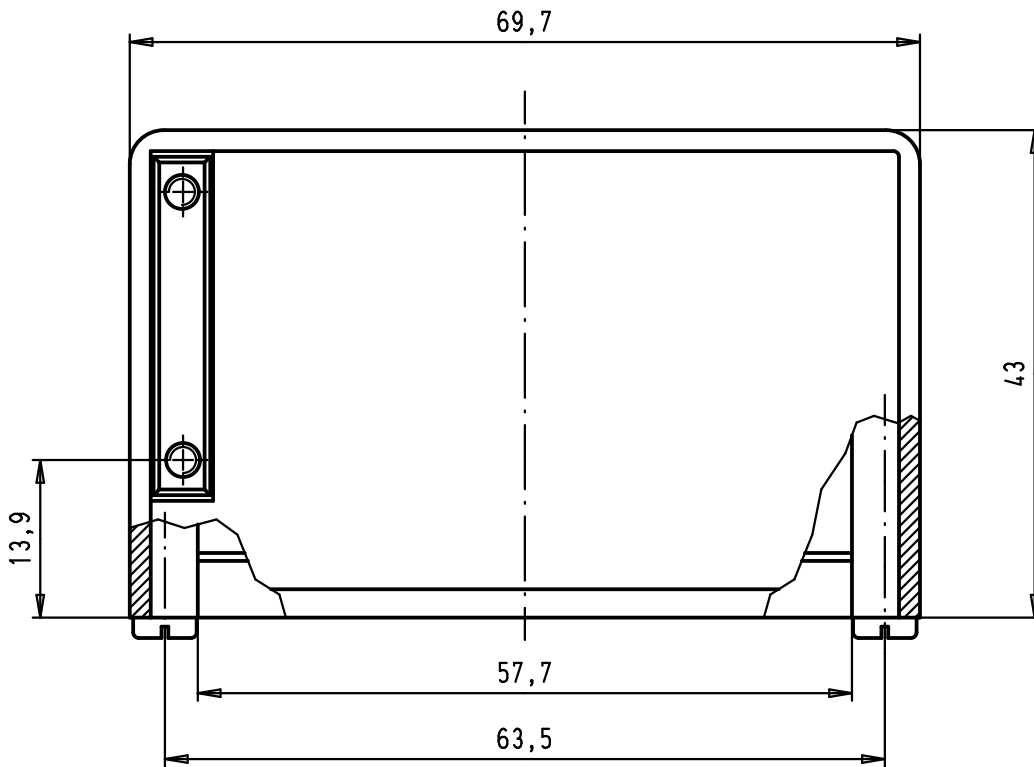


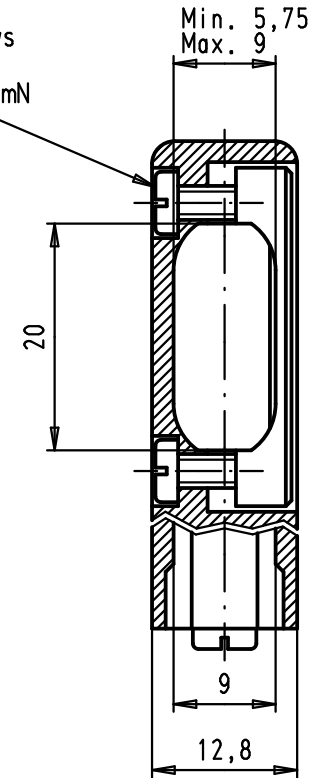
5 4 3 2 1



Slotted pan head tapping screws
DIN 7971-ST 2,9x6,5-F
screwing torque=35Ncm +/-5Ncm



Slotted pan head tapping screws
DIN 7971-ST 2,2 x 9,5-F
Maximum screwing torque= 0,25 mN



A

				Det.	Name	
			Detail.	28/03/02	CV	
			Insp.	25-MAY-11	JMDV	
EC03223	25-MAY-11	SD	Stand.			
34886	26/02/08	PK	HARTING EURL F-95972 Paris			
29760	28/03/02	CV				
Mod.	Det.	Name				

D-Sub, hood 37 poles for spring or slide locking, side cable entry	Maßstab/ Scale
	1,5:1
TB 09 67 037 051X	Blatt/ Page
Sub.	1 / 1

09 67 037 0513	Thermoplastic metallized
09 67 037 0511	Thermoplastic grey RAL 7032
Part number	Material