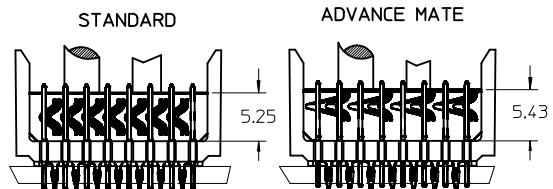


NOTES:

- MATERIAL: HOUSING -LIQUID CRYSTAL POLYMER (LCP). GLASS-FILLED. UL 94 V-0. COLOR: BLACK. SIGNAL & SHIELD -COPPER ALLOY.
- FINISHES:
CONTACT AREA: SELECTIVE GOLD (Au)
PCB TAILS: SELECTIVE MATTE TIN (Sn)
NICKEL (Ni) OVERALL.
- THIS PART CONFORMS TO MOLEX PRODUCT SPECIFICATION PS-74031-999.
- FOR MIXED CONTACT MATING LENGTHS CONSULT MOLEX FOR AVAILABILITY.
- FOR SPECIFIC PART NUMBER AND MATING INFORMATION REFER TO SHEET 2.
- PACKAGE PER PK-74061-003.
- MARK PART NUMBER AND DATE CODE APPROXIMATELY WHERE SHOWN
- MAPS (MOLEX ADVANCED PLATING SYSTEM).



LEAD FREE CONVERSION EC NO: UCP2013-0687 DRAWINGS 2012/08/23 CHKD:MMOLFE 2012/11/28 APPR:SMILLER 2012/12/14	DESCRIPTION	QUALITY SYMBOLS
REV		▽=0 ▽=0 ▽=0

GENERAL TOLERANCES (UNLESS SPECIFIED)	DIMENSION STYLE MM ONLY
4 PLACES ± --- ± ---	DRAWN BY DATE MOWANG 2001/10/03
3 PLACES ± --- ± ---	CHECKED BY DATE
2 PLACES ± --- ± ---	NMARTIN 2001/10/04
1 PLACE ± --- ± ---	APPROVED BY DATE
0 PLACE ± ±	CBIXLER 2001/10/04
ANGULAR ±1/2°	MATERIAL NO.
DRAFT WHERE APPLICABLE MUST REMAIN WITHIN DIMENSIONS	SEE SHEET 2

SCALE 2.5:1	DESIGN UNITS METRIC	THIRD ANGLE PROJECTION
TITLE VHDM SALES ASSEMBLY 8 ROW ADVANCED MATE SIGNAL END BACKPLANE		
DOCUMENT NO. SD-74061-003		
SHEET NO. 1 OF 2		

THIS DRAWING CONTAINS INFORMATION THAT IS PROPRIETARY TO MOLEX INCORPORATED AND SHOULD NOT BE USED WITHOUT WRITTEN PERMISSION		
---	--	--

M/N 74061-()	-**0*	-**1*	-**2*	-**3*	-**4*	-**5*	-**6*	-**7*	-**8*
KEYING ORIENTATION									

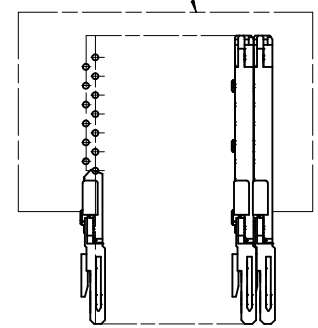
74061-****

NUMBER OF COLUMNS/PLATING
 11 = 10 COLUMN MATTE TIN
 26 = 25 COLUMN MATTE TIN
 61 = 10 COLUMN MATTE TIN (MAPS)
 76 = 25 COLUMN MATTE TIN (MAPS)
 91 = 10 COLUMN MATTE TIN
 86 = 25 COLUMN MATTE TIN

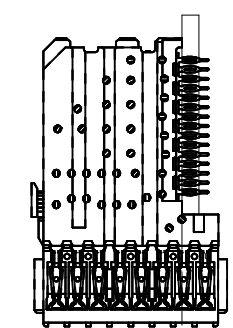
CONTACT LOAD
 (PIN LENGTH)
 1 & 6 = 4.75
 2 & 7 = 6.25
 3 & 8 = 4.25
 4 & 9 = 5.15

PART NUMBER	COLUMN	NUMBER OF SIGNAL PIN	NUMBER OF SHIELD	A	B	M	GOLD THICKNESS MICROMETER	TIN THICKNESS MICROMETER
74061-61*1	10	80	10	27.00	18.00	4.75	0.25 MAPS	0.76-1.52
74061-*1*1							0.76	
74061-*1*6							1.27	
74061-76*1	25	200	25	57.00	48.00	4.75	0.25 MAPS	
74061-*6*1							0.76	
74061-*6*6							1.27	
74061-61*2	10	80	10	27.00	18.00	6.25	0.25 MAPS	
74061-*1*2							0.76	
74061-*1*7							1.27	
74061-76*2	25	200	25	57.00	48.00	6.25	0.25 MAPS	
74061-*6*2							0.76	
74061-*6*7							1.27	
74061-61*3	10	80	10	27.00	18.00	4.25	0.25 MAPS	
74061-*1*3							0.76	
74061-*1*8							1.27	
74061-76*3	25	200	25	57.00	48.00	4.25	0.25 MAPS	
74061-*6*3							0.76	
74061-*6*8							1.27	
74061-61*4	10	80	10	27.00	18.00	5.15	0.25 MAPS	
74061-*1*4							0.76	
74061-*1*9							1.27	
74061-76*4	25	200	25	57.00	48.00	5.15	0.25 MAPS	
74061-*6*4							0.76	
74061-*6*9							1.27	

DAUGHTERCARD CONNECTOR SIDE

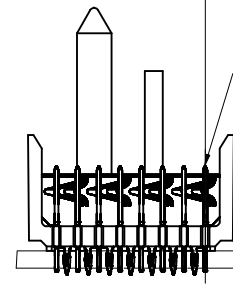
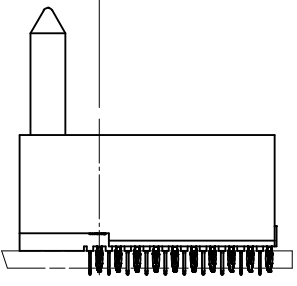


0.41 OFFSET
SIGNAL TO SIGNAL



2.45 TOP
DAUGHTERCARD
PCB TO CENTER
OF ROW A

ROW A



SEE SHEET 1	QUALITY SYMBOLS
EC NO: UCP2013-0687	▽=0
DRWNGES 2012/08/23	▽=0
CHKD:HWOLFE 2012/11/28	▽=0
APPR:SMILLER 2012/12/14	
REV	DESCRIPTION

GENERAL TOLERANCES (UNLESS SPECIFIED)	
mm	INCH
4 PLACES ± ---	± ---
3 PLACES ± ---	± ---
2 PLACES ± ---	± ---
1 PLACE ± ---	± ---
0 PLACE ±	±
ANGULAR ±1/2°	
DRAFT WHERE APPLICABLE MUST REMAIN WITHIN DIMENSIONS	

DIMENSION STYLE MM ONLY	
DRAWN BY	DATE
QWANG	2001/10/03
CHECKED BY	DATE
NMARTIN	2001/10/04
APPROVED BY	DATE
CBIXLER	2001/10/04
MATERIAL NO.	
SEE TABLE	

SCALE 2.5:1	DESIGN UNITS METRIC	THIRD ANGLE PROJECTION
TITLE VHDM SALES ASSEMBLY 8 ROW ADVANCED MATE SIGNAL END BACKPLANE		
DOCUMENT NO. SD-74061-003		
SHEET NO. 2 OF 2		