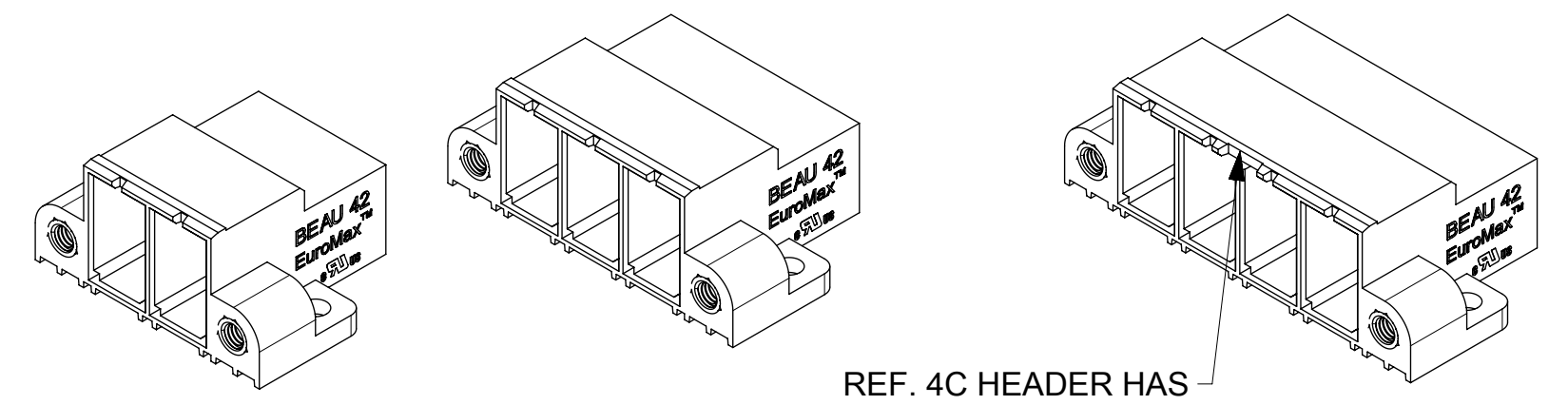


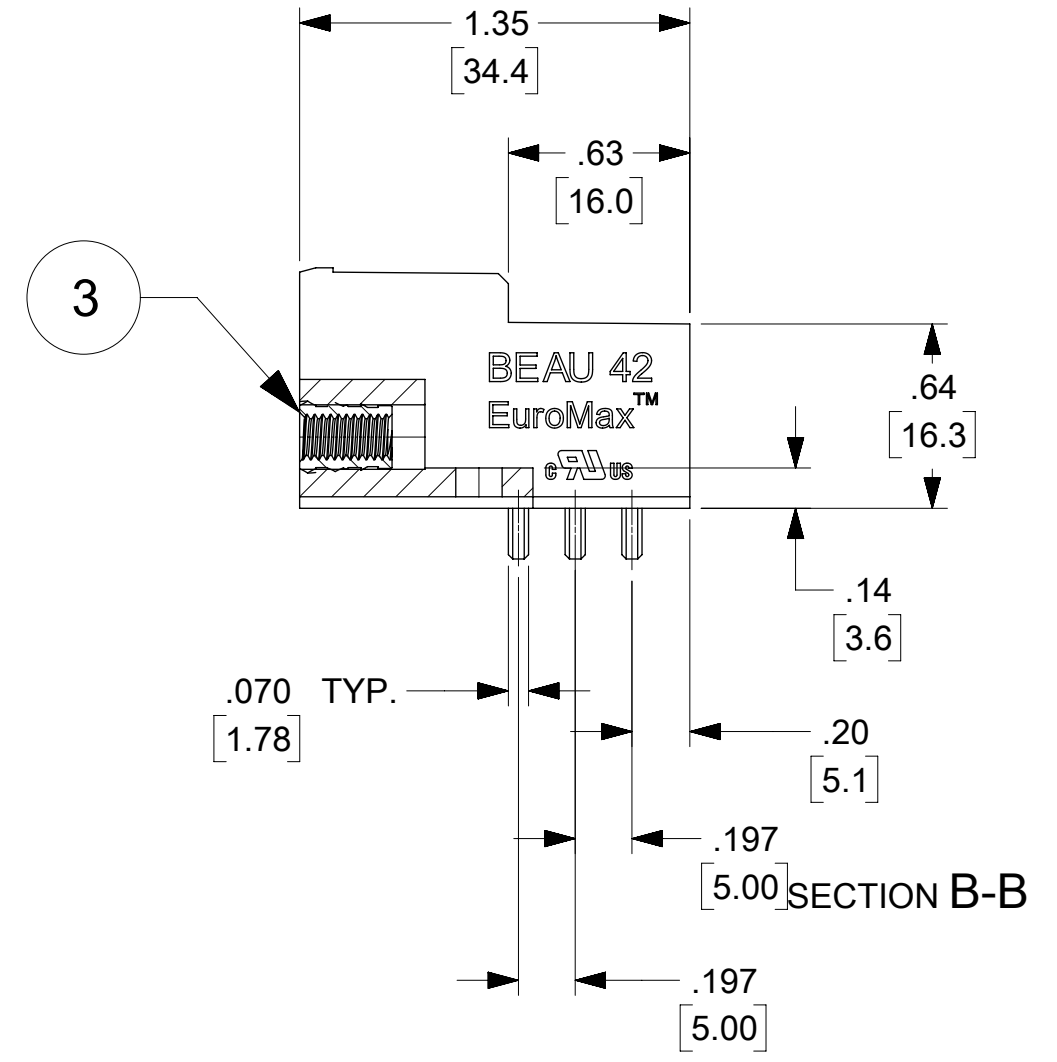
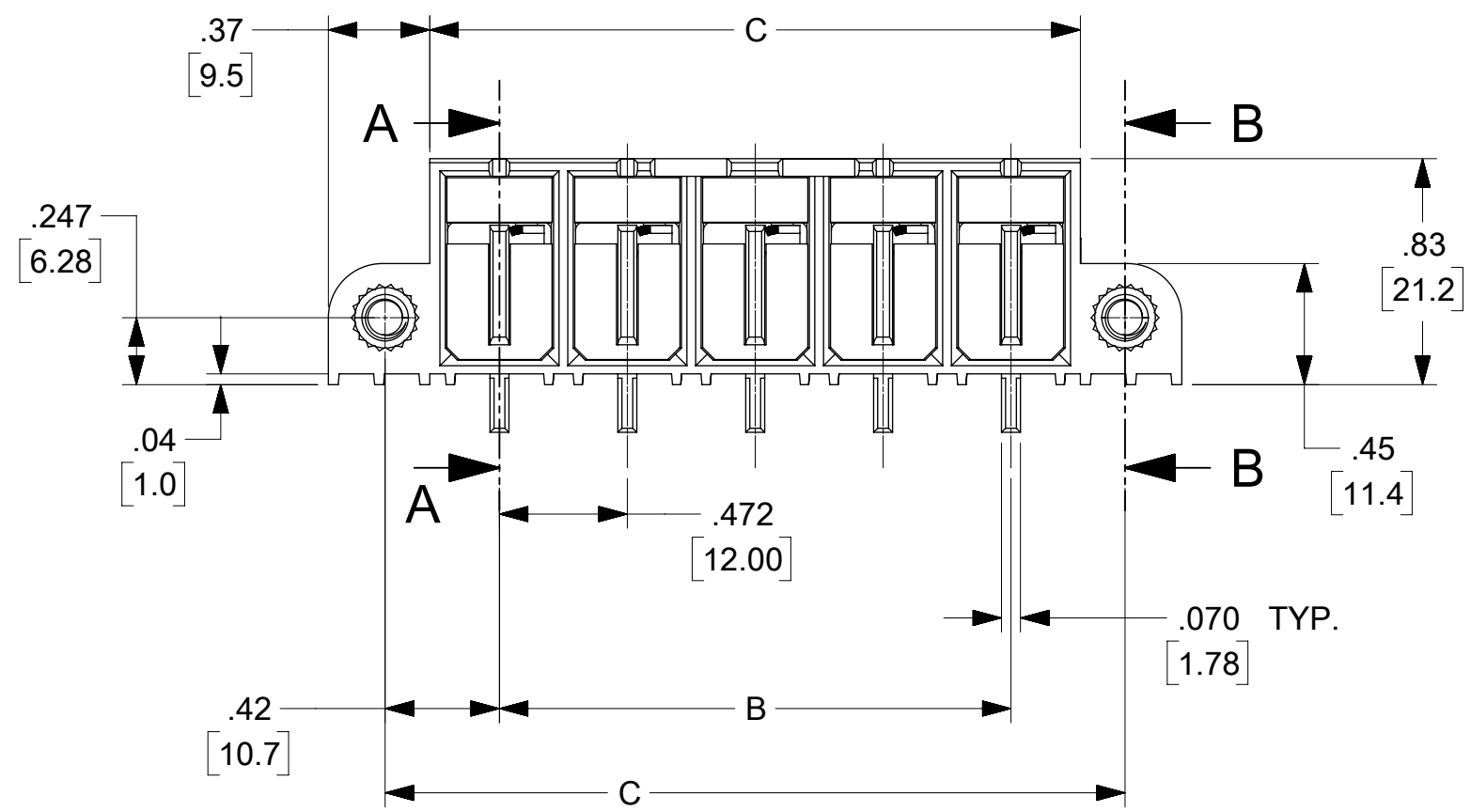
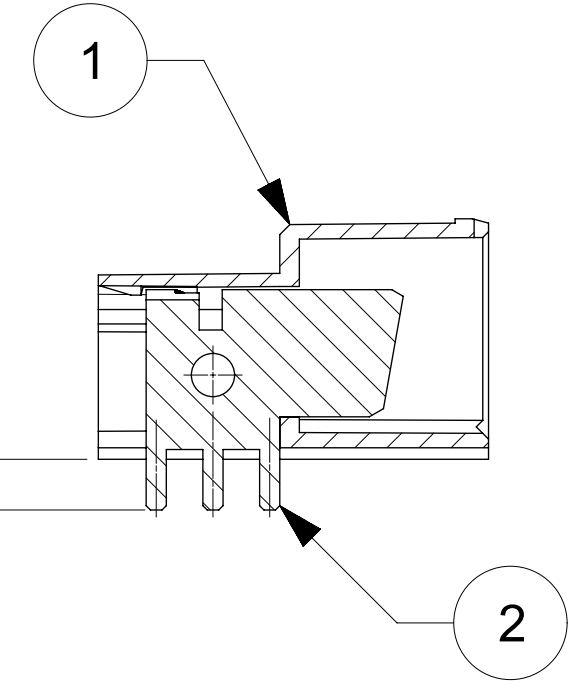
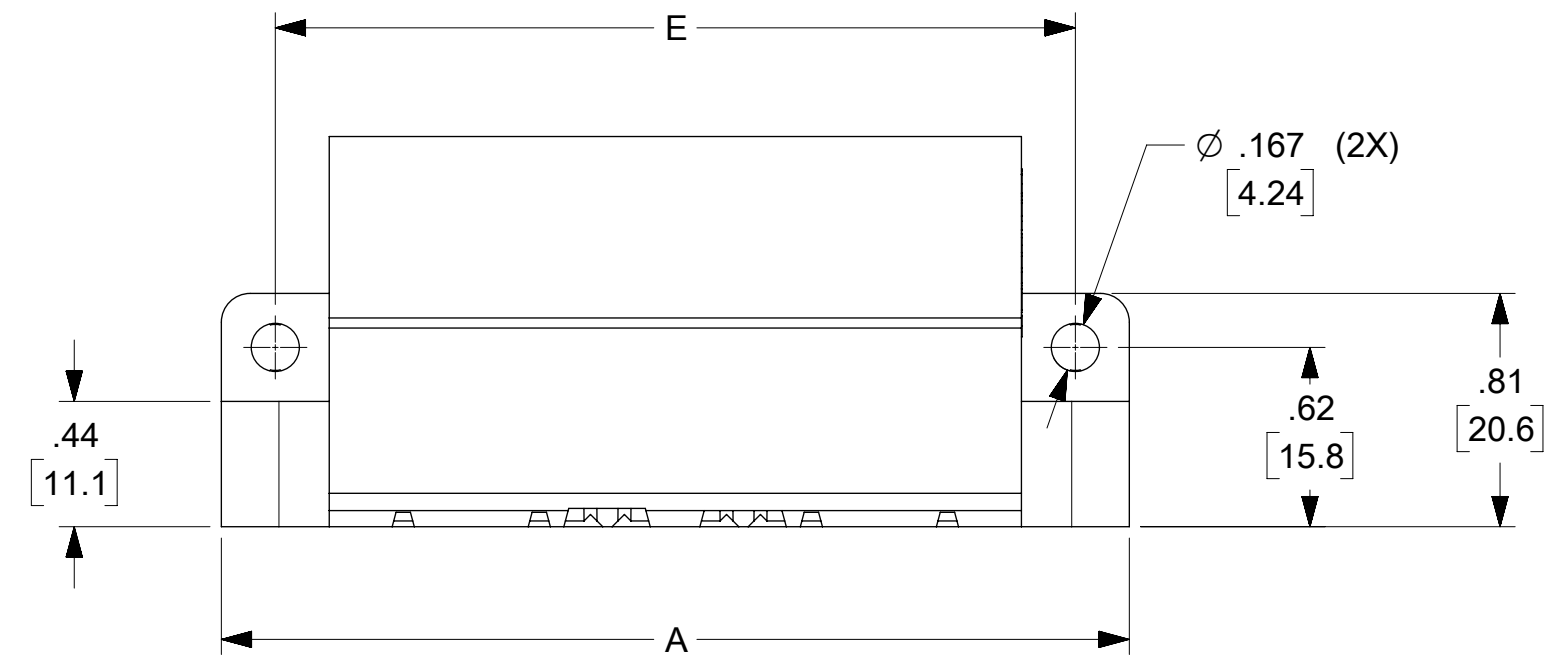
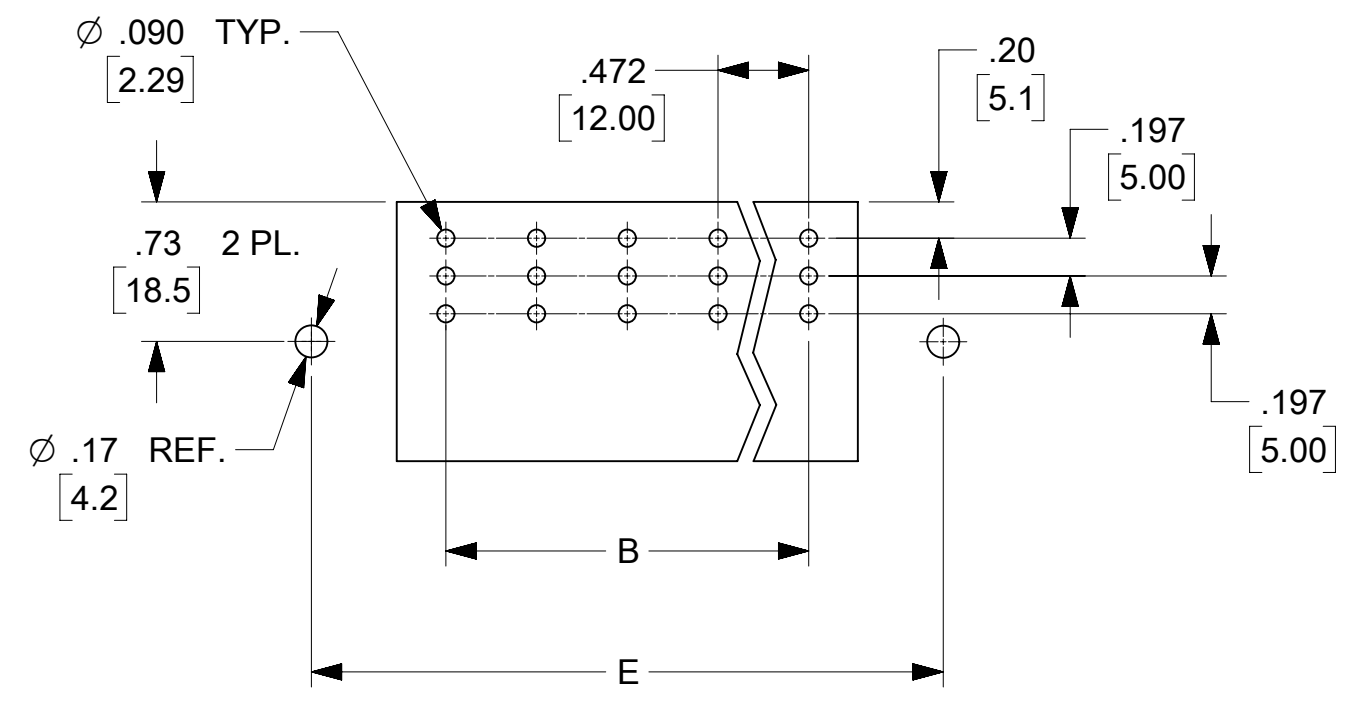
LENGTH CHART												
CIRCUITS	MATERIAL NO.	ENG. NO.	A	(A mm)	B	(B mm)	C	(C mm)	D	(D mm)	E	(E mm)
2	394260002	425902	1.74	44.2	.472	12.00	.99	25.1	1.316	33.43	1.361	34.57
3	394260003	425903	2.21	56.1	.945	24.00	1.46	37.1	1.789	45.44	1.833	46.56
4	394260004	425904	2.68	68.1	1.417	36.00	1.93	49.0	2.261	57.40	2.306	58.57
5	394260005	425905	3.15	80.0	1.890	48.00	2.40	61.0	2.733	69.42	2.778	70.56
6	394260006	425906	3.63	92.2	2.362	60.00	2.88	73.0	3.206	81.43	3.250	82.55
7	394260007	425907	4.10	104.1	2.835	72.00	3.35	85.1	3.678	93.42	3.723	94.56
8	394260008	425908	4.57	116.1	3.307	84.00	3.82	97.0	4.151	105.43	4.195	106.55



REF. 2C AND 3C HEADERS HAVE NO PRY SLOTS

REF. 4C HEADER HAS SINGLE PRY SLOT

REF. 5 THRU 8C HEADERS HAVE TWO PRY SLOTS



- NOTES:
1. MATERIAL: SEE TABLE
 2. FINISH: SEE TABLE
 3. ELECTRICAL SPECS:
VOLTAGE RATING: 600V
CURRENT RATING: 85A
 4. PRODUCT SPEC: PPS.42.001
 5. XX EQUALS NUMBER OF CIRCUITS
 6. DIMS. SHOWN ARE FOR REFERENCE ONLY UNLESS NOTED OTHERWISE

SECTION A-A

SECTION B-B

TABLE

ITEM	QTY	DESCRIPTION	MATERIAL	FINISH
3	2	M4 THREADED INSERT	BRASS	
2	XX	CONTACT BLADE	COPPER	TIN PLATED
1	1	HEADER	PA66	BLACK

THIS DRAWING CONTAINS INFORMATION THAT IS PROPRIETARY TO MOLEX ELECTRONIC TECHNOLOGIES, LLC AND SHOULD NOT BE USED WITHOUT WRITTEN PERMISSION

QUALITY SYMBOLS	2016/11/11 2016/11/23 2017/01/12 EC NO: 105770 DRWN: RSTONE CHKD: BRUPERT REV / APPR: BWOODMAN	GENERAL TOLERANCES (UNLESS SPECIFIED)		DIMENSION UNITS	SCALE	
		MM	INCH	INCH/MM	1:1	
▽ = 0		4 PLACES ±	±	DRWN BY	DATE	HEADER ASSEMBLY 12MM, 85A, 600V WITH MOUNTING ENDS
▽ = 0		3 PLACES ±	±	R KEMP	2004/10/19	
▽ = 0		2 PLACES ±	± 0.01	CHK'D BY	DATE	PRODUCT CUSTOMER DRAWING
▽ = 0		1 PLACES ±	0.3 ±	-	-	
▽ = 0		0 PLACES ±	±	APPR BY	DATE	SERIES MATERIAL NUMBER CUSTOMER 39426 SEE CHART GENERAL MARKET
⊠ = 0		ANGULAR TOL ±		DRAWING SIZE	THIRD ANGLE PROJECTION	
■ = 0		DRAFT WHERE APPLICABLE MUST REMAIN WITHIN DIMENSIONS		C		DOCUMENT NUMBER DOC TYPE DOC PART SHEET NUMBER SD-39426-001 PSD 000 1 OF 1
▽ = 0						