

6

5

4

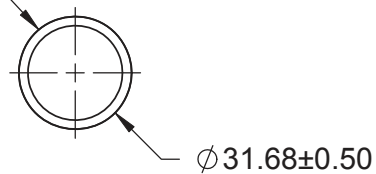
3

2

1

REVISIONS					
REV.	ECR#	ZONE	DESCRIPTION	CHANGED BY/DATE	APPROVED BY/DATE
AA			INITIAL RELEASE	K.S. 09-23-10	K.S. 09-23-10

VENTED CAP FOR INVERTED MOUNTING



D

D

C

C

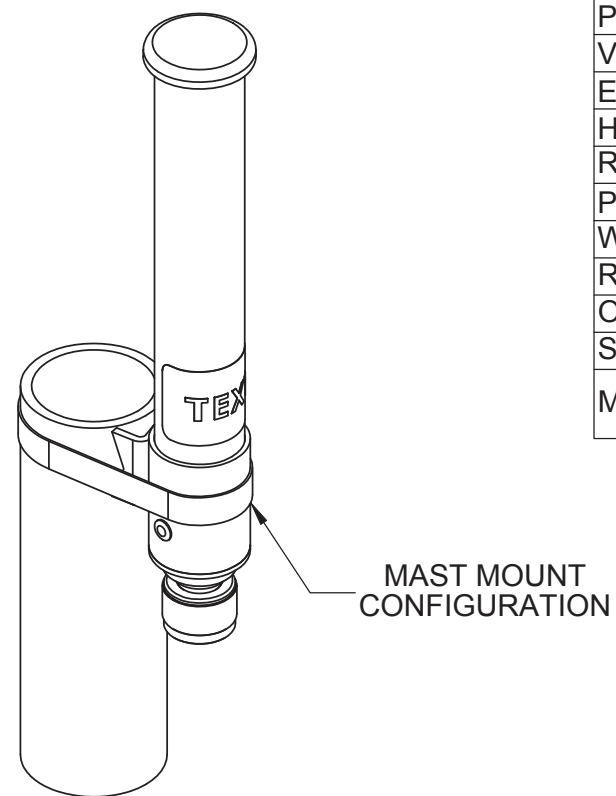
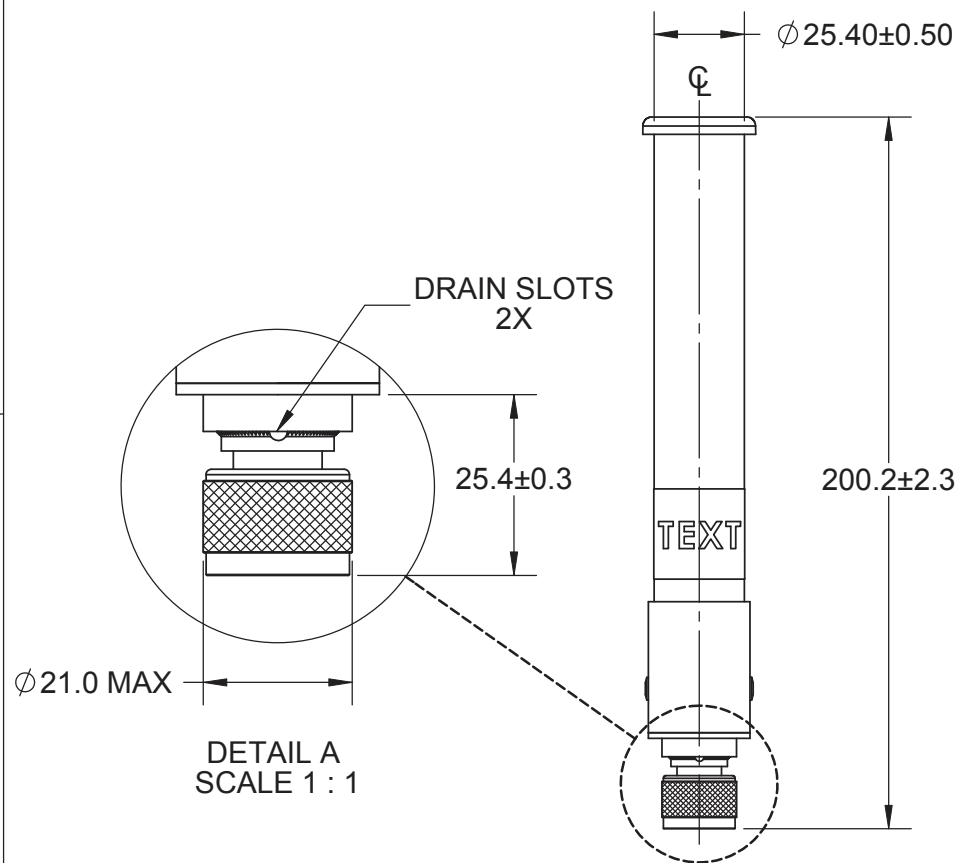
B

B

A

A

Parameter	Performance
Model Number	OC51505-FNM
Frequency	5150-5875MHz
Gain	5dBi
Polarization	Linear, Vertical
VSWR	2.0:1
E-Plane 3dB Beamwidth	29°
H-Plane 3dB Beamwidth	Omnidirectional
RF Connector	Type N, Male, Fixed, Tri-Metal
Power	10 Watts
Weight	0.18kg
Radome	Polycarbonate, UV, White
Operational Temperature	-30°C to +70°C
Storage Temperature	-40°C to +85°C
Mounting	Connector Fixed or Mast Mount Kit, Upright and Inverted Orientation



MATERIAL: N/A		THIRD ANGLE PROJECTION			
FINISH: N/A					
APPROVALS		DATE		TITLE: OC51505-FNM	
DRAWN BY	K. SEARL	08-04-10		INTERPRET DIMENSIONING AND TOLERANCING IN ACCORDANCE WITH ASME Y14.5M-2009 TOLERANCES UNLESS OTHERWISE SPECIFIED DIMENSIONS ARE IN MILLIMETERS	
PROJ. ENG.	T. PETROPOULOS	11-29-10			
APPL. MECH.	S. JOHNSON	11-29-10		SIZE A3	DWG. NO. OC51505-FNMMO
MFG.	I. CHICKLIS	11-29-10		SCALE: 1:2	PREVIOUS#
THIS DRAWING IS UNPUBLISHED. RELEASED FOR PUBLICATION -,- © Copyright 2022 TE Connectivity Ltd. ALL RIGHTS RESERVED.		ANGLE: ±30° 0 PLACE DECIMAL: ±0.5 1 PLACE DECIMAL: ±0.25 2 PLACE DECIMAL: ±0.13 SURFACE ROUGHNESS $\sqrt{1.6}$		REV AA	SHEET 1 OF 1

6

5

4

3

2

1