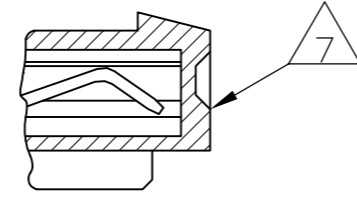
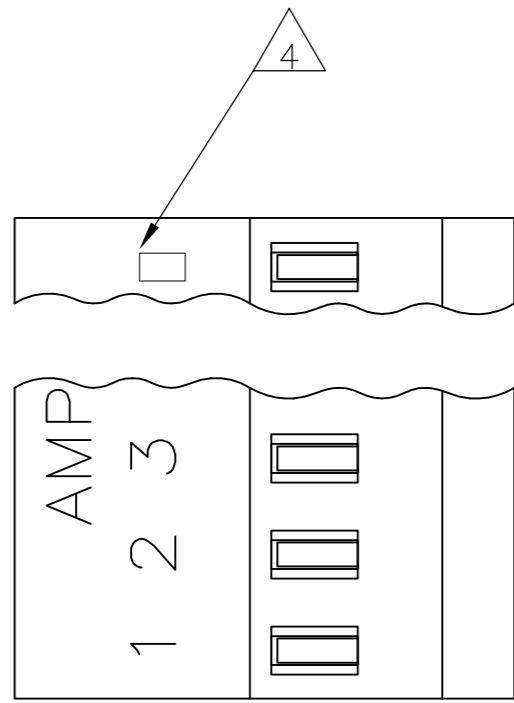
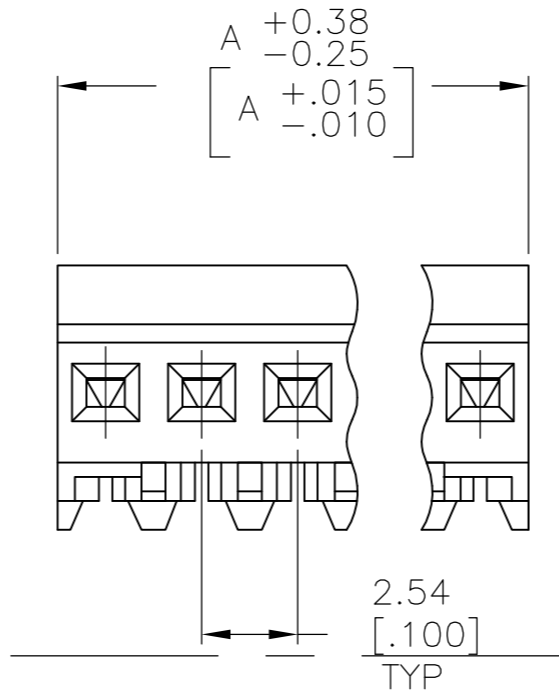
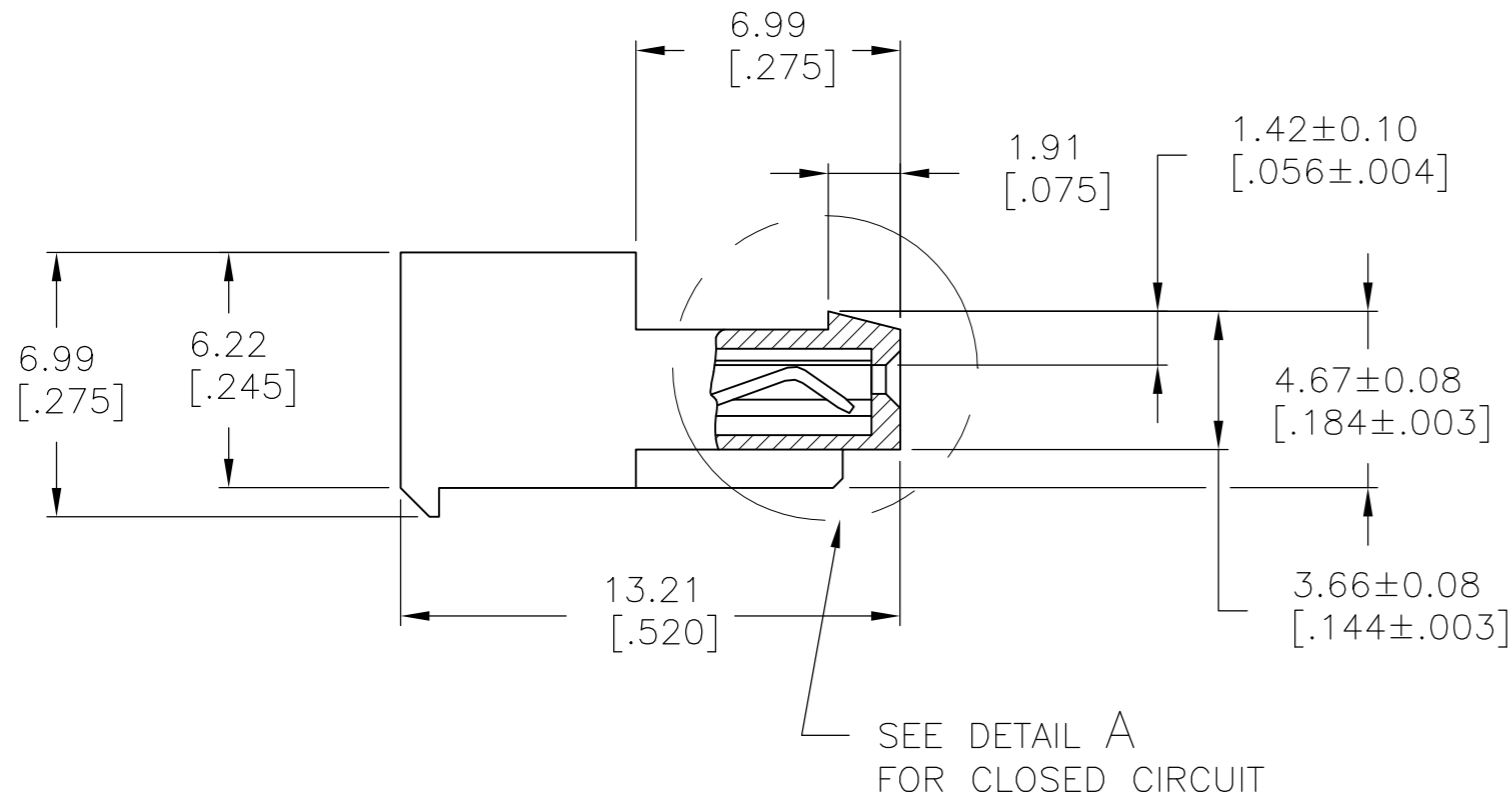


THIS DRAWING IS UNPUBLISHED. RELEASED FOR PUBLICATION
 © COPYRIGHT BY TYCO ELECTRONICS CORPORATION. ALL RIGHTS RESERVED.

LOC	DIST	REVISIONS					
		P	LTR	DESCRIPTION	DATE	DWN	APVD
CM	00	E		REVISED PER ECO-07-003755	28FEB07	KW	DB
		E1		REVISED PER ECO-09-023313	09OCT09	KK	AEG



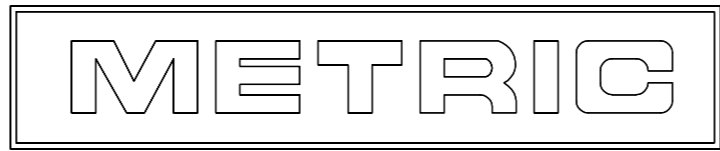
DETAIL A



- 1 MATERIAL: CONNECTOR - NYLON UL94V-2 (RED).
CONTACTS - 0.30[.012] THICK COPPER ALLOY MATTE WHISKER MITIGATED TIN 0.00203[.000080] MIN THICKNESS OVER NICKEL UNDERPLATE OR BRIGHT TIN-LEAD 93/7 0.00203[.000080] MIN THICKNESS. SEE FINISH COLUMN FOR PLATING TYPE.
- 2. CONTACTS ACCEPT 22 AWG WIRE WITH 1.52[.060] MAX INSULATION DIAMETER.
- 3. CONTACTS MUST ACCEPT 0.64±0.03[.025±.001] SQUARE POST AND REMAIN LOCKED IN POSITION.
- 4 IDENTIFICATION NUMBER FOR LAST CIRCUIT MAY NOT APPEAR ON ALL ASSEMBLIES.
- 5. DIMENSIONS IN BRACKETS ARE IN INCHES.
- 6. HOUSING FEATURES ARE: CLOSED END WITH LOCKING RAMP.
- 7 DETAIL A SHOWS CIRCUIT NO.5 MOLDED CLOSED.
- 8 OBSOLETE PARTS: OBSOLETE CIS STREAMLINING PER D.RENAUD/D.SINISI

FINISH	DIM A	NO OF CIRCUITS	PART NO
TIN	25.40 [1.000]	10	4-644426-0
	20.32 [.800]	8	3-644426-8
	17.78 [.700]	7	3-644426-7
TIN-LEAD	25.40 [1.000]	10	1-644426-0
	20.32 [.800]	8	644426-8
	17.78 [.700]	7	644426-7

- 8 SUPERCEDED
- 8 SUPERCEDED
- 8 SUPERCEDED



THIS DRAWING IS A CONTROLLED DOCUMENT.

DWN B. LEWIS 22 APR 91	Tyco Electronics Corporation Harrisburg, Pa 17105-3608
CHK R. SWING 22 APR 91	
APVD G. MILLER 22 APR 91	
PRODUCT SPEC 108-1050	
MATERIAL	NAME MTA-100 CONNECTOR ASSEMBLY, 22 AWG, NO.5 CIRCUIT CLOSED, SPECIAL
TOLERANCES UNLESS OTHERWISE SPECIFIED: 0 PLC ± - 1 PLC ± - 2 PLC ± - 3 PLC ± - 4 PLC ± - ANGLES ± -	SIZE 114-1019
FINISH	WEIGHT -
	SCALE 5:1
	SHEET 1 OF 1
	REV E1

CUSTOMER DRAWING