

TECHNICAL SPECIFICATIONS:

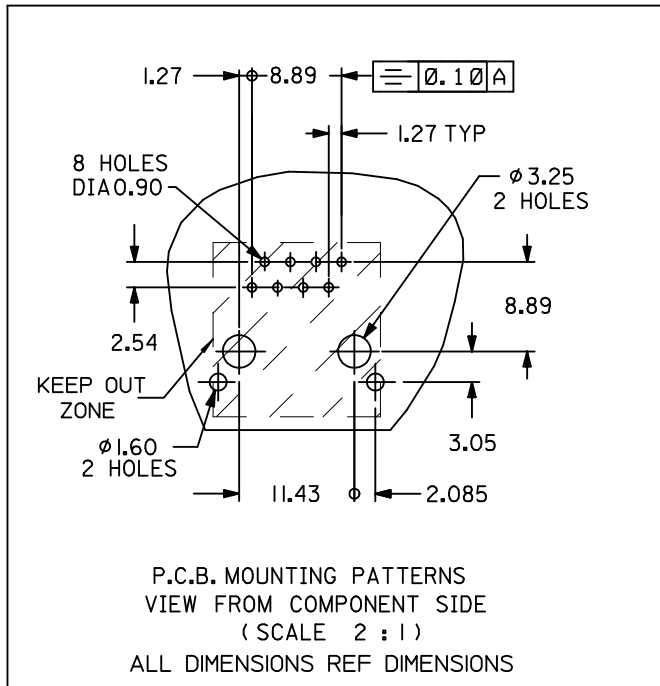
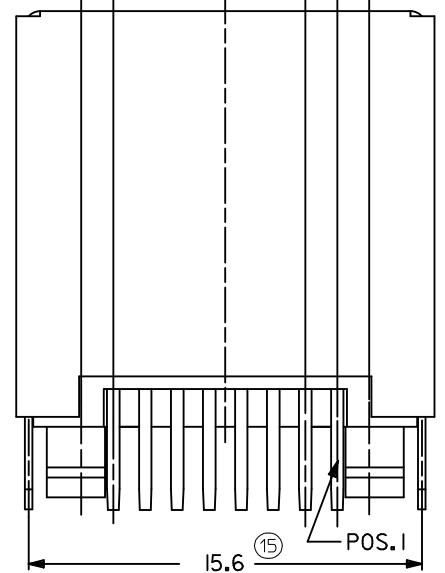
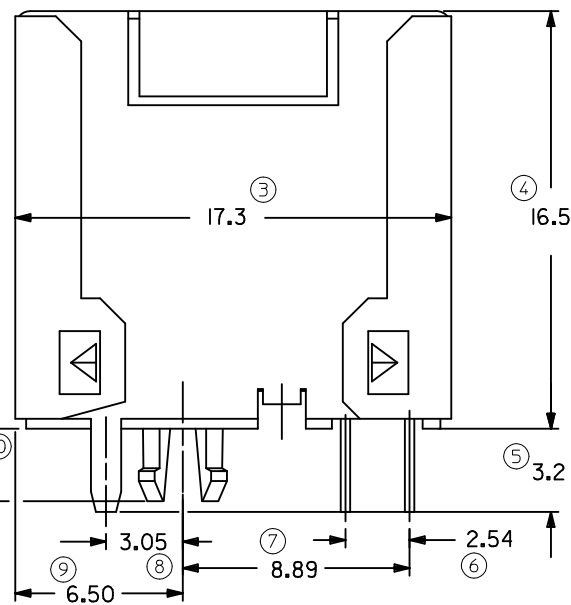
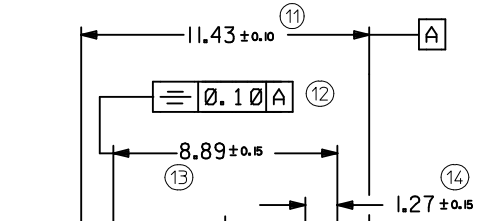
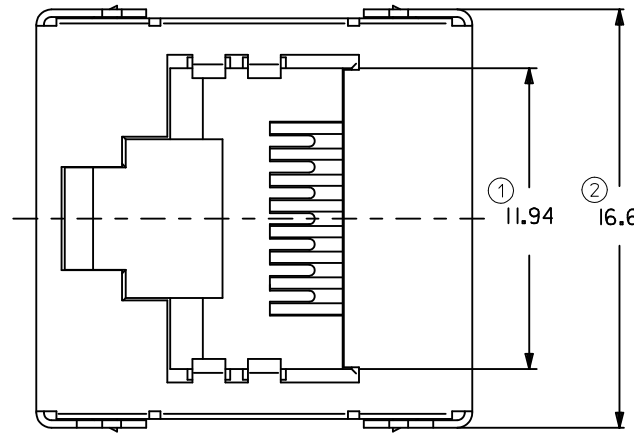
I- MATERIAL: HOUSING:LCP GLASS FILLED UL 94 V-0 COLOR :BLACK

TERMINAL : COPPER ALLOY PLATED WITH
 PLATING 2: 0.00127-0.00152 GOLD IN CONTACT AREA,
 0.00190 MIN PURE TIN IN TAIL AREA
 BOTH OVER 0.00127 MIN NICKEL OVERALL

PLATING 6: POST PLATE 0.00005 MIN GOLD OVER
 0.00100 MIN PALLADIUM-NICKEL IN CONTACT AREA,
 0.00190 MIN PURE TIN IN TAIL AREA
 BOTH OVER 0.00127 MIN NICKEL OVERALL

SHIELD : BRASS PLATED WITH 0.0020 MIN TIN

PART NUMBER	PLATING	TOOLED	PCB THICKNESS
95623-2881	2	YES	1.57
95623-7881	6		



NOTES :

- 1- JACK FOR MATING WITH F.C.C. 68 PLUGS 95043 MOLEX SERIES.
 - 2- PRODUCT SPECIFICATION: MOLEX PS-95623-001.
 - 3- PACKAGING SPECIFICATION: MOLEX PK-95123.
 - 4- P.C. BOARD THICKNESS (SEE CHART)
- LAST INSPECTION NUMBER: 15

EDITED NOTES EC NO: IPG2012-0046 DRWING: SHEA CHKD: APPR: EFOLAN 2011/11/29 2011/12/08	QUALITY SYMBOLS	GENERAL TOLERANCES (UNLESS SPECIFIED)	DIMENSION STYLE	SCALE	DESIGN UNITS	THIRD ANGLE PROJECTION	
	▽=0 ◻=0	mm INCH 4 PLACES ± --- ± --- 3 PLACES ± --- ± --- 2 PLACES ± 0.25 ± --- 1 PLACE ± 0.35 ± --- ANGULAR ± 1/2°	MM ONLY	5:1	METRIC	☉ ☐ THIRD ANGLE PROJECTION	
			DRAWN BY DATE D. BYRNES 2006/11/14 CHECKED BY DATE EOMAHONY 2006/11/15 APPROVED BY DATE EOMAHONY 2006/11/15	TITLE	FULLY SHIELDED TOP ENTRY MODULAR JACK 8 CKTS (THROUGH HOLE VERSION)		
			MATERIAL NO.	SEE CHART	DOCUMENT NO.	MOLEX INCORPORATED SD-95623-001	
		DRAFT WHERE APPLICABLE MUST REMAIN WITHIN DIMENSIONS	SIZE	THIS DRAWING CONTAINS INFORMATION THAT IS PROPRIETARY TO MOLEX INCORPORATED AND SHOULD NOT BE USED WITHOUT WRITTEN PERMISSION			
			A3	SHEET NO. 1 OF 1			