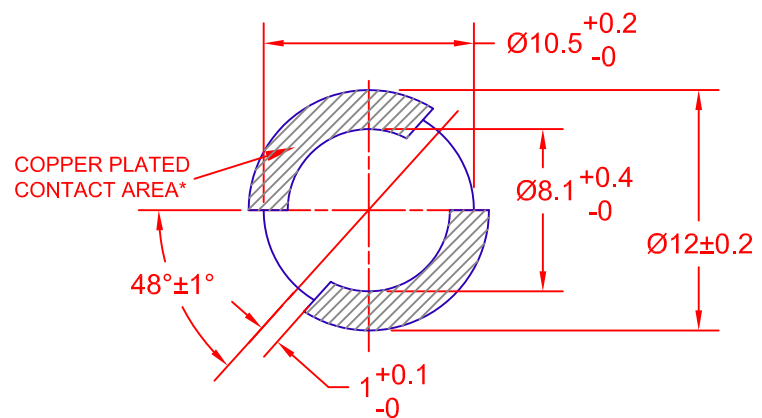
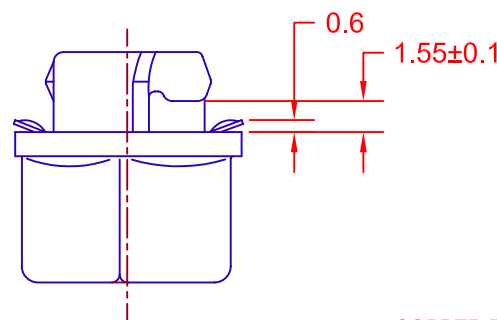
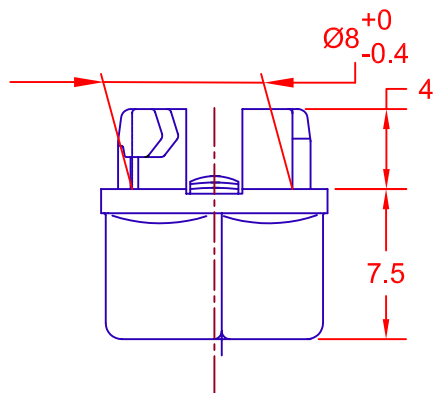
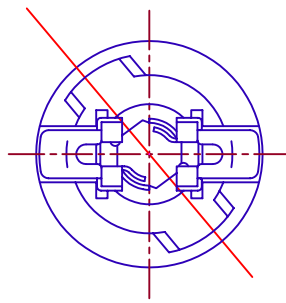
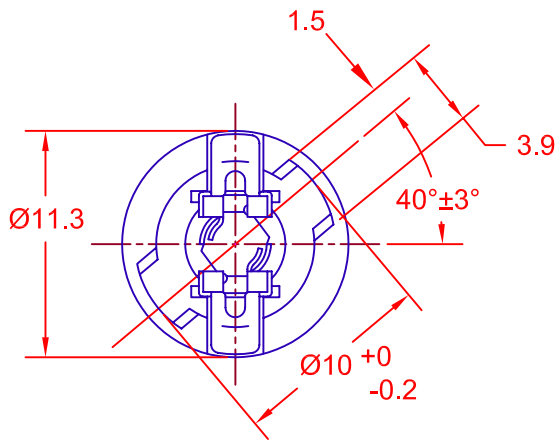
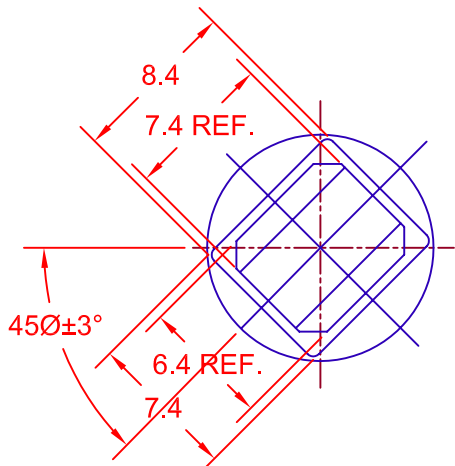


REV.	DESCRIPTION/ECO NO.	DATE
	RELEASED	10/30/01



P.C. BOARD PUNCH PATTERN
 * NO TREATMENT SUCH AS APPLICATION OF FLUX SHOULD BE DONE TO COPPER CONTACT PLATES ON PRINTED CIRCUIT BOARD.



JKL PART NO.: 2918B

SOCKET COLOR: BLACK

<p>METRIC THIRD ANGLE PROJECTION</p>	DIMENSIONS ARE IN MILLIMETERS TOLERANCE UNLESS OTHERWISE SPECIFIED 1 PL +/- 0.2 2 PL +/- 0.20 ANGLE +/- 0		JKL COMPONENTS CORPORATION			
			TITLE T-1 1/2 WEDGE BASE SOCKET			
DRAWN BY L. WENGSTROM	APP'VD BY L.W.	DATE 10/30/01	SIZE A	FSCM NO. 55335	DRAWING NO. SOCKET 2918B	
- CAD DRAWING - MANUAL REVISIONS NOT PERMITTED			SCALE NONE	RELEASED DATE 10/30/01	REVISION DATE REV. NO. SHEET 1 OF 1	