

**SPECIFICATIONS:**

- Insulation Resistance:
- 100MΩ min. at 500V DC (unmated)
  - 10MΩ min. at 150V DC (mated)
- Withstanding Voltage:
- 250V AC for 1min (unmated)
  - 150V AC for 1min (mated)
- Voltage Rating: 40V AC  
 Current Rating: 0.3A  
 Contact Resistance: 100mΩ max. at 20mV max.  
 Operating Temp.: -20°C ~ +85°C  
 Mating Cycle: 5,000 times  
 Insertion Force: 44N Max

**PART NUMBER:**

**PKS019-401X-0**

Series Name	↑
19 Pins	↑
Mounting Options:	↑
0 = SMT Mount	
1 = T/H Mount	

**HDMI SPEC COMPLIANT**

**MATERIALS AND FINISH:**

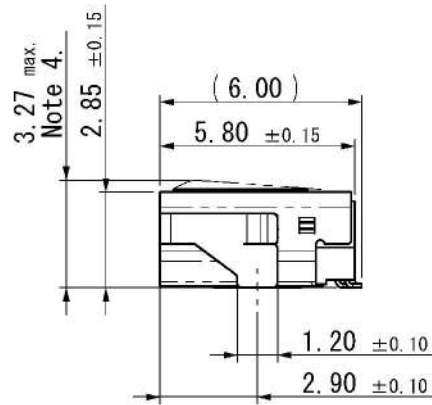
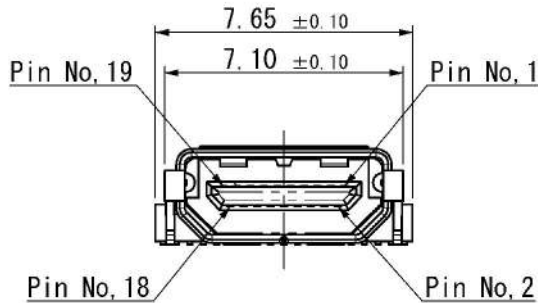
- Contacts: Cu Alloy
- Metal Shell & Flange: Cu Alloy
- Insulator Body: High Performance Polyamide

**FEATURES:**

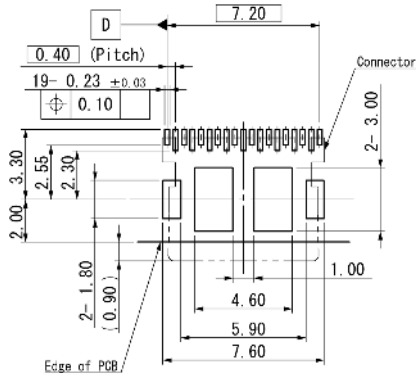
- Automotive Grade Type E HDMI
- HDMI ver. 1.4b compliant
- Optional Flange for additional mount security
- NO RESTRICTIN on circuitry layout pattern area
- PKH019 HDMI Cable Assembly Available
- R/A SMT Standard Mount
- RoHS and REACH compliant



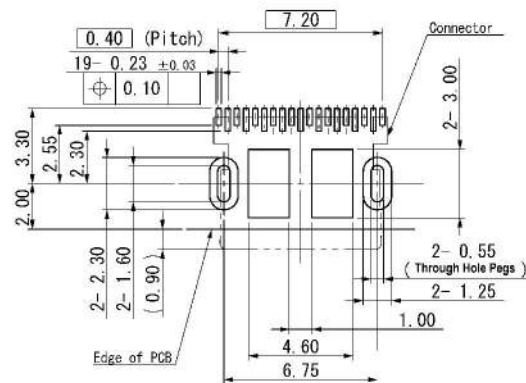
**OUTLINE DIMENSIONS (MM):**



**RECOMMENDED PC BOARD LAYOUT (MM):**



**SMT Mount ver.**



**Through Hole Mount ver.**