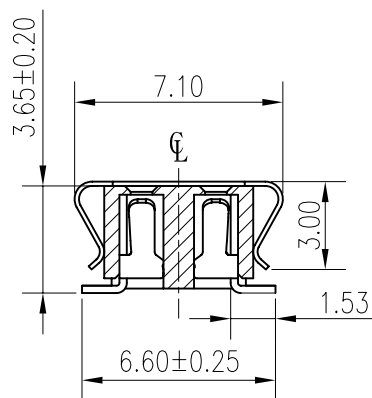
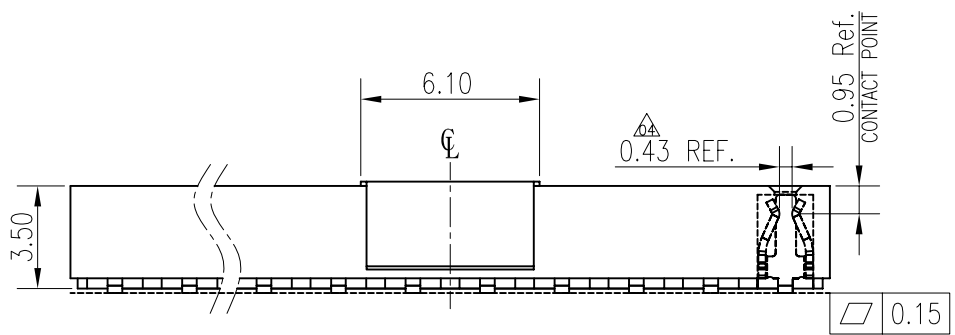
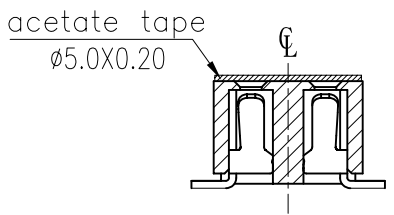
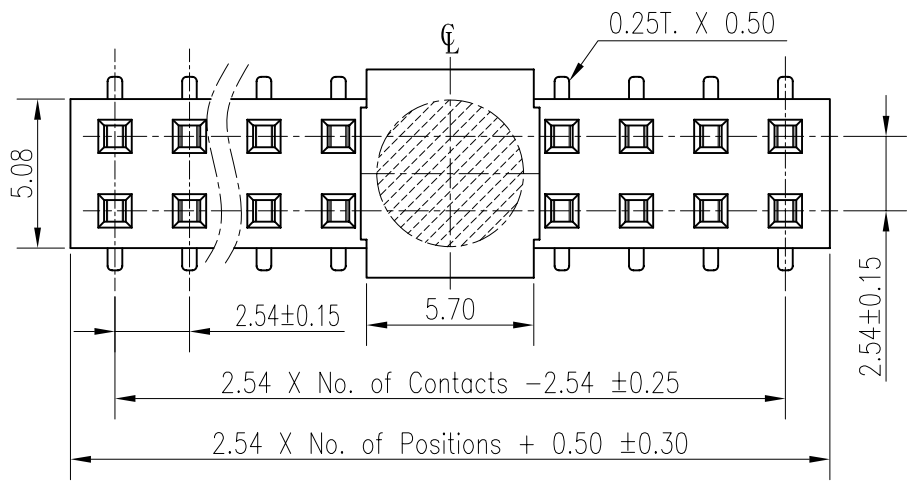
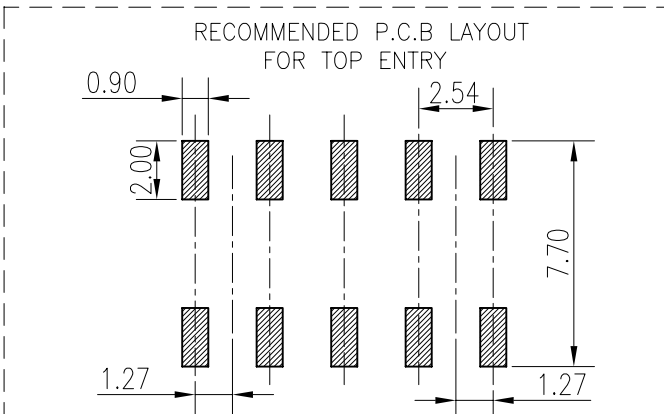
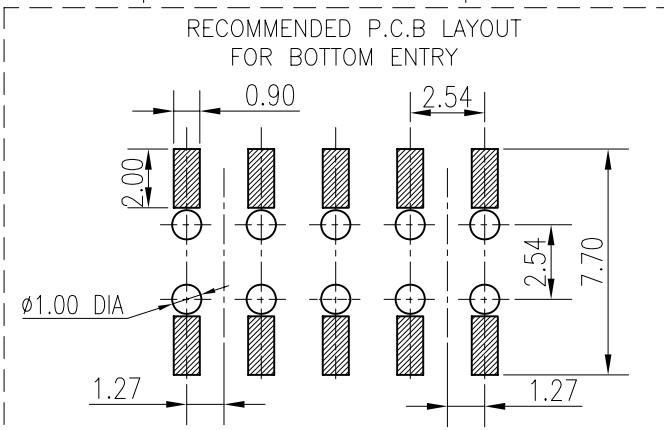


REV.	LOCAS.	DESCRIPTION	DATE	DRAWN
03	△3	依上級要求變更圖號	2011.10.11	李方忠
04	△4	因尺寸標錯，修正端子杯口尺寸	2018.03.07	何東華



Specifications
 Current Rating:3Amp
 Insulation Resistance:1000MΩMin.
 Dielectric Withstanding Voltage:600VAC
 Contact Resistance:20mΩMax.
 Operating Temperature:-40°C to +105°C
 Materials
 Contact Material:Phosphor Bronze
 Insulator Material:High Temperature Thermoplastic, UL 94V-0 Nylon(Halogen Free) or the equivalent material
 All materials must meet Greenconn requirement for environment protection.



Ordering Information

C SHC211 - XX XX A 001 R 1 A X

No. of Pins per Row
02~40

Standard Plating
02=Gold Flash
Selective Plating
01=Tin
05=Gold Flash/Tin
10=Gold 10u"

Color
1=Black

Standard Packing
C=Tube
Selective Packing
A=Box
E=Cap+Tube
F=Cap+Tape&Reel
G=Acetate Tape+Tube
H=Acetate Tape+Tape&Reel

格稜股份有限公司
Greenconn Corporation

GENERAL TOLERANCE		DESIGNED: 何東華	DATE: 2018.03.07
X.*±5.0°	X.±0.30	CHECKED:	DATE:
.X*±3.0°	.X±0.25	CO SIGEND: 劉北平	DATE: 2018.03.07
.XX*±2.0°	.XX±0.15	APPROVED:	DATE:
.XXX*±1.0°	.XXX±0.10		

DWG. NO.	△3 △4
	CSHC211-CA1RA
PART NO.	△4
	CSHC211-XXXX A001R1AX

TITLE:
 2.54 FEMALE HEADER
 DUAL ROWS SMT TYPE
 CONNECTOR

REV.	UNIT.	SCALE.	PAGE.
04	mm	4:1	1/1