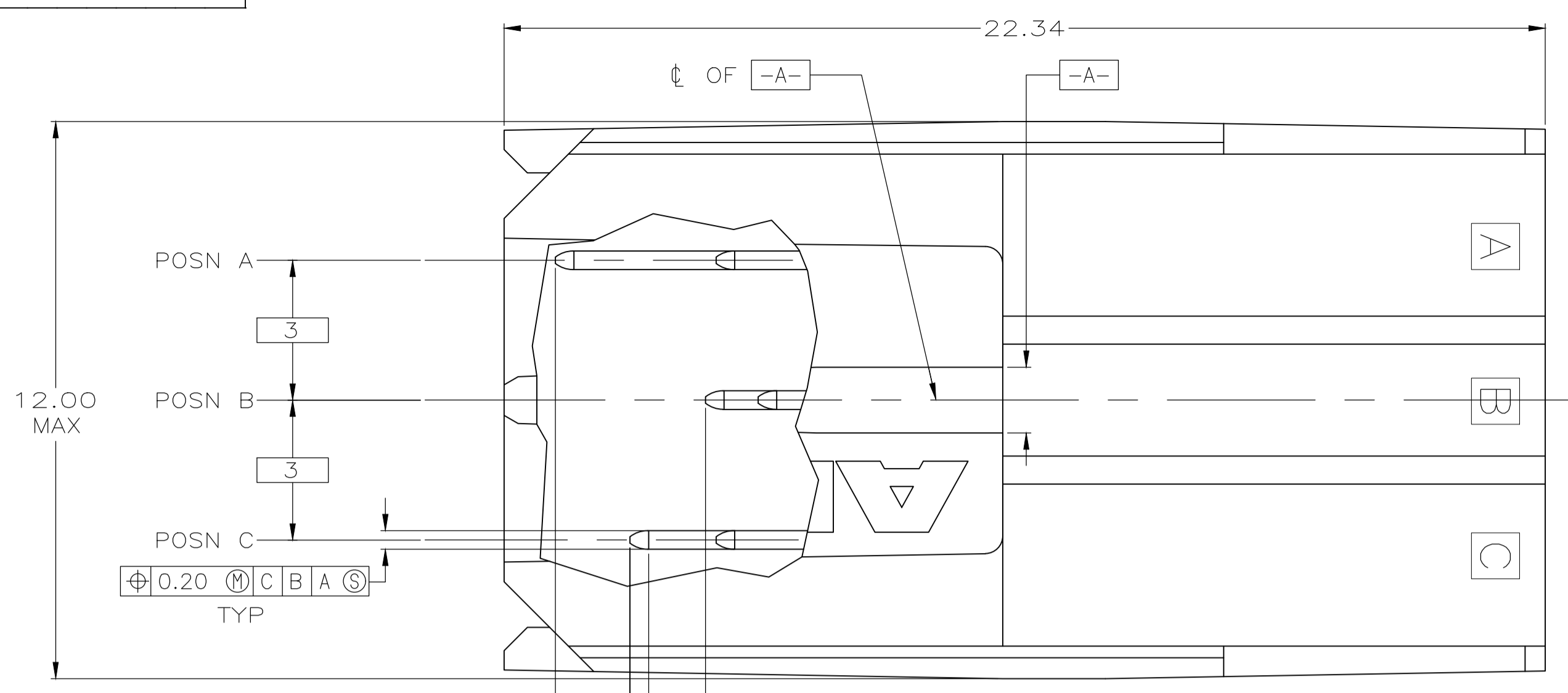
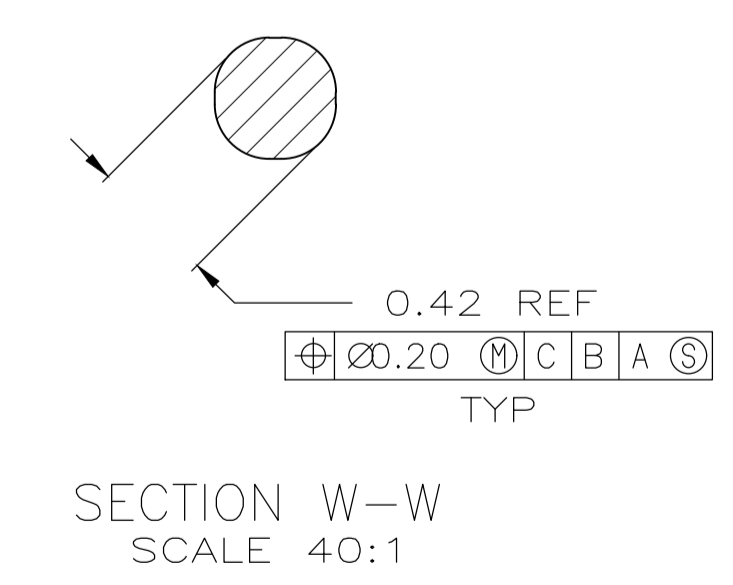
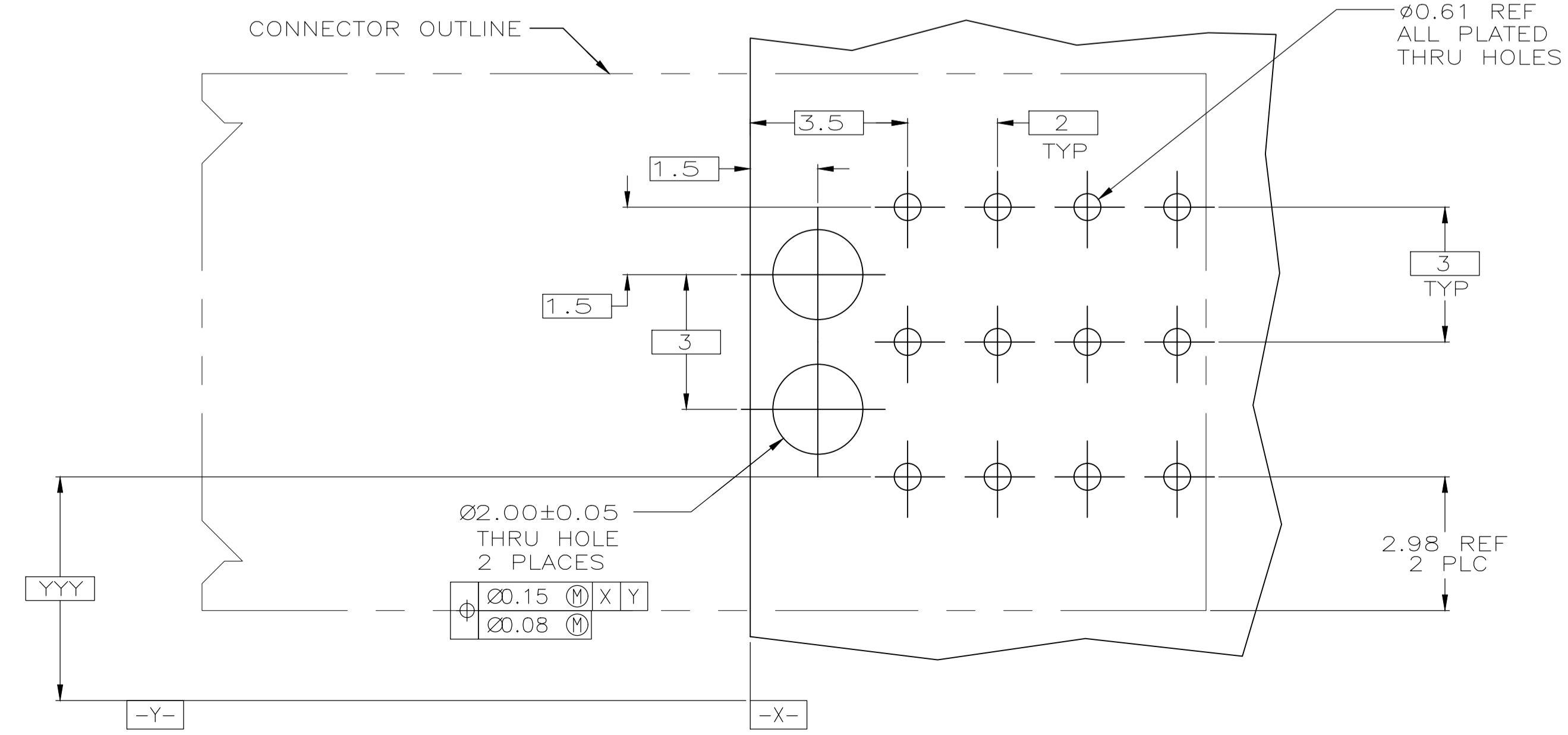
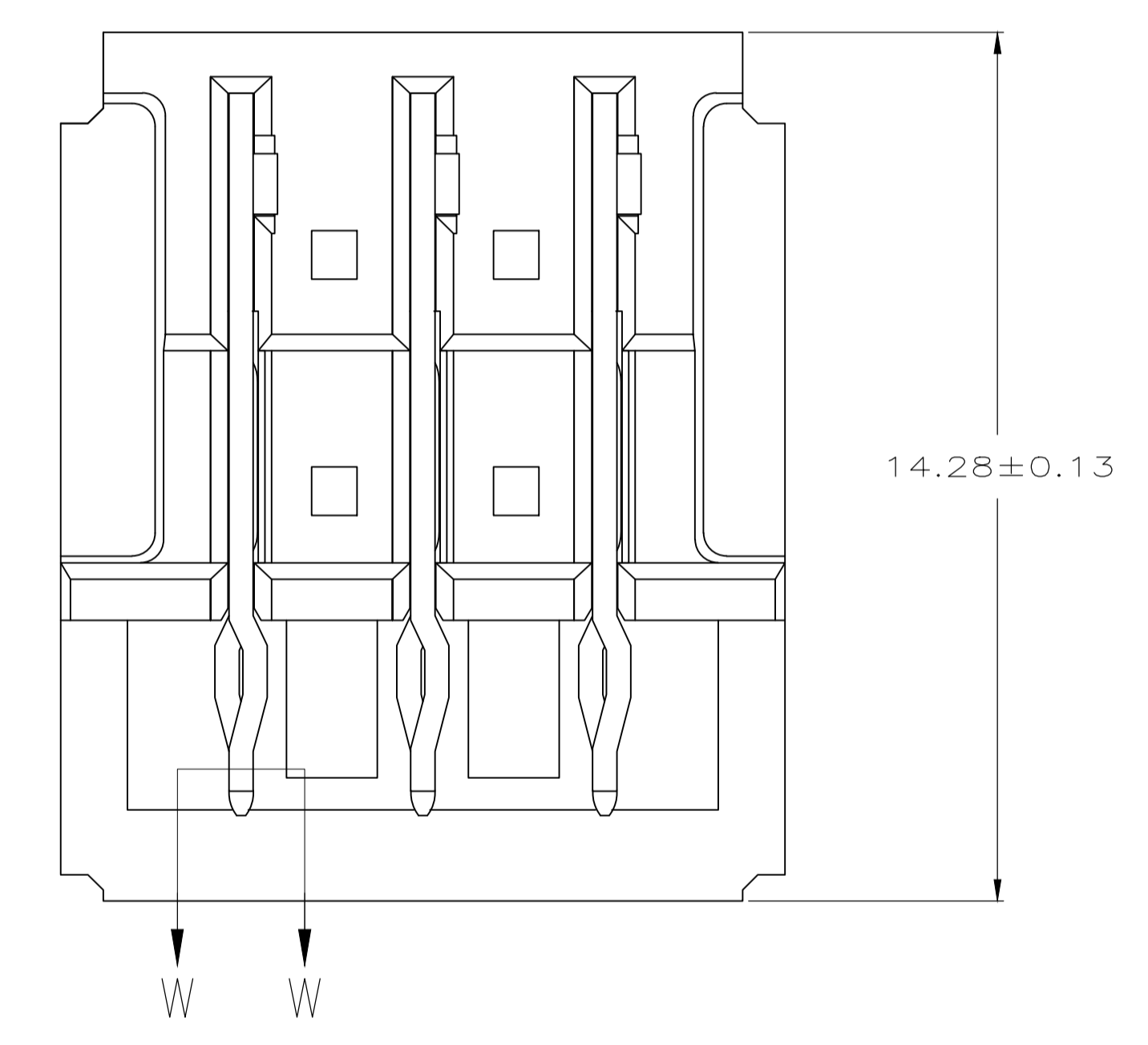
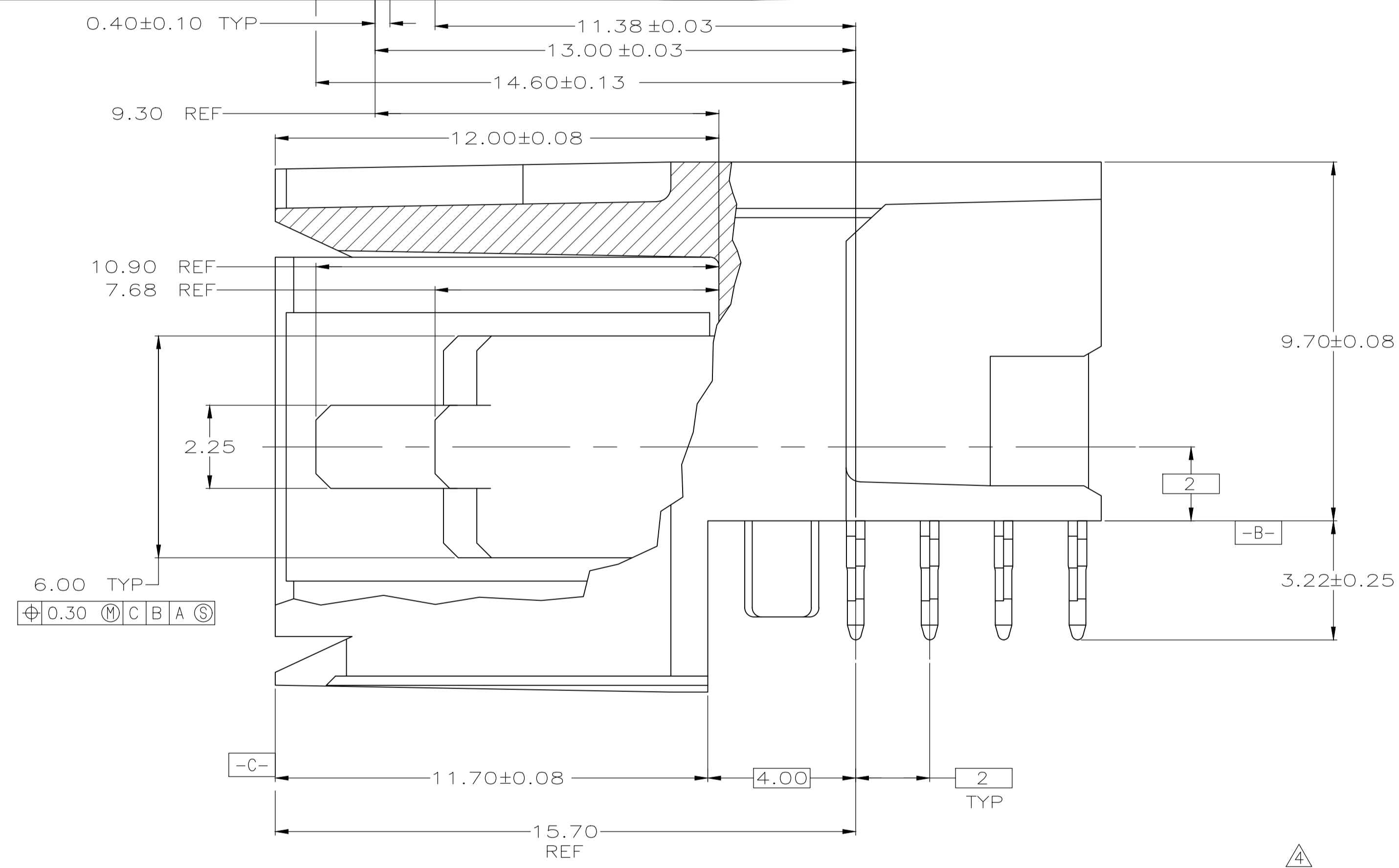
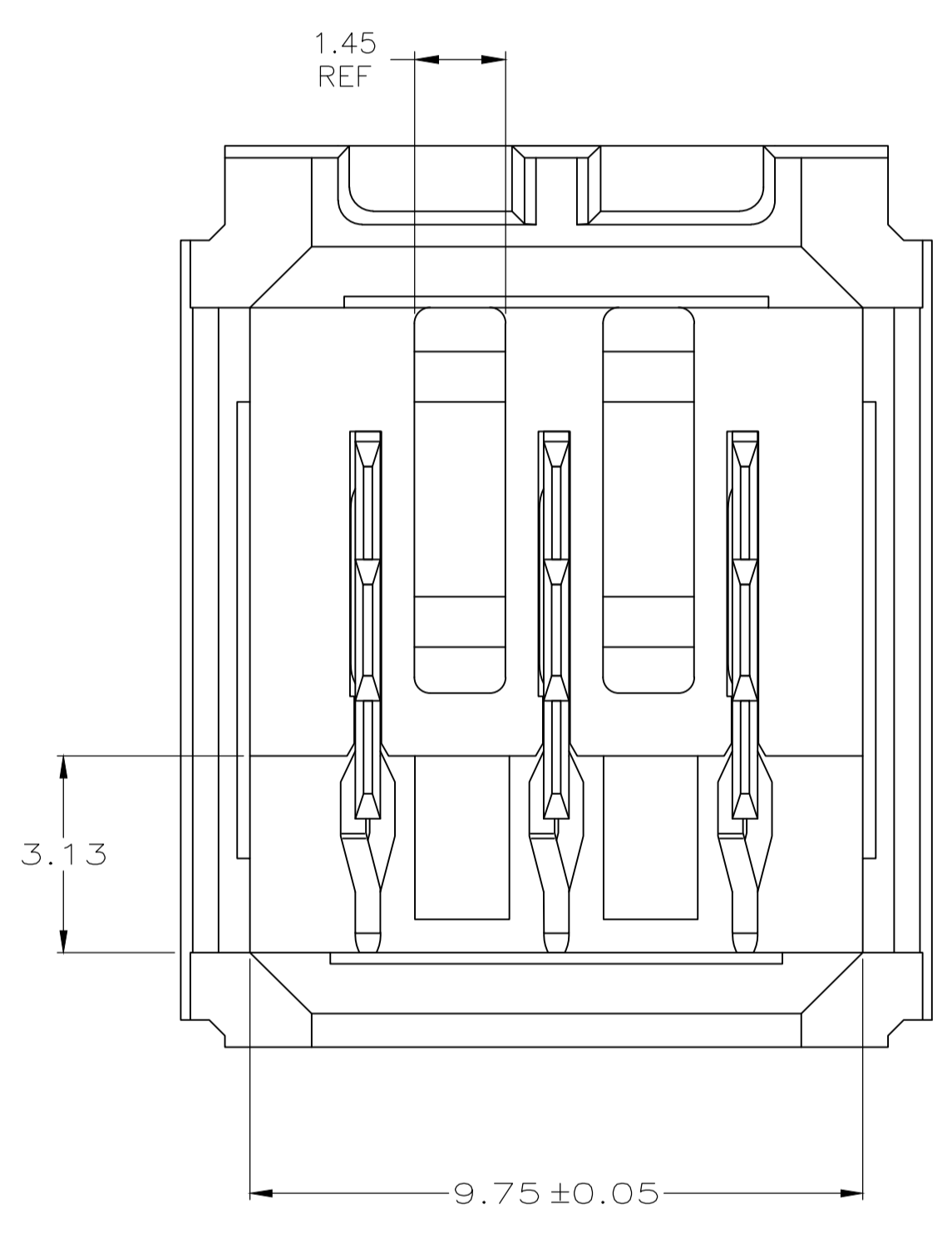


LOC		DIST		REVISIONS			
F	LTR	DESCRIPTION	DATE	DN	APVD		
C1	REV PER ECO-20-004668		08JUN2020	ML	SZ		



- 1 MATERIAL: HOUSING: POLYESTER. COLOR: GRAY. UL 94V-0. CONTACT: PHOSPHOR BRONZE.
- 2 FINISH: IN ACCORDANCE WITH PRODUCT SPECIFICATION 108-1651. GOLD PLATING OR EQUIVALENT PLATING ON PRODUCT CONTACT MATING AREA, AND MATTE TIN PLATING ON COMPLIANT PIN AREA, ALL OVER MATTE NICKEL UNDERPLATED. DETAIL PLEASE REFER TO PRODUCT SPECIFICATION 108-1651.
- 3 FINISH: CONTACT LUBRICATION WITH BELLCORE APPROVED LUBRICANT. TECHNICAL REFERENCE: TR-NWT-001217 ISSUE 1, SEPT 1992.
- 4 REFERENCE APPLICATION SPEC 114-1103 FOR RECOMMENDED PLATED THRU HOLE DIAMETER AND PLATING THICKNESS.
- 5 CURRENT RATING 10A/CONTACT PER PRODUCT SPEC 108-1651.



5223971-1
PART NUMBER

THIS DRAWING IS A CONTROLLED DOCUMENT.		DIN B CARBO 130EC04	Tyco Electronics Corporation Harrisburg, PA 17105-3608
DIMENSIONS: mm		130EC04	
TOLERANCES UNLESS OTHERWISE SPECIFIED:		NAME R PATTERSON 130EC04	ASSEMBLY, RIGHT ANGLE HEADER, W/ RETENTION PEGS, UNIVERSAL POWER MODULE
0 PLC ± -		PRODUCT SPEC 108-1651	
1 PLC ± -		APPLICATION SPEC 114-1103	SIZE A1
2 PLC ± 0.13		114-1103	
3 PLC ± -		WEIGHT -	CUSTOMER DRAWING
4 PLC ± -		00779 C=5223971	
ANGLES ± -		SCALE 10:1	SHEET 1 of 1
FINISH 1 2 3		REV C1	