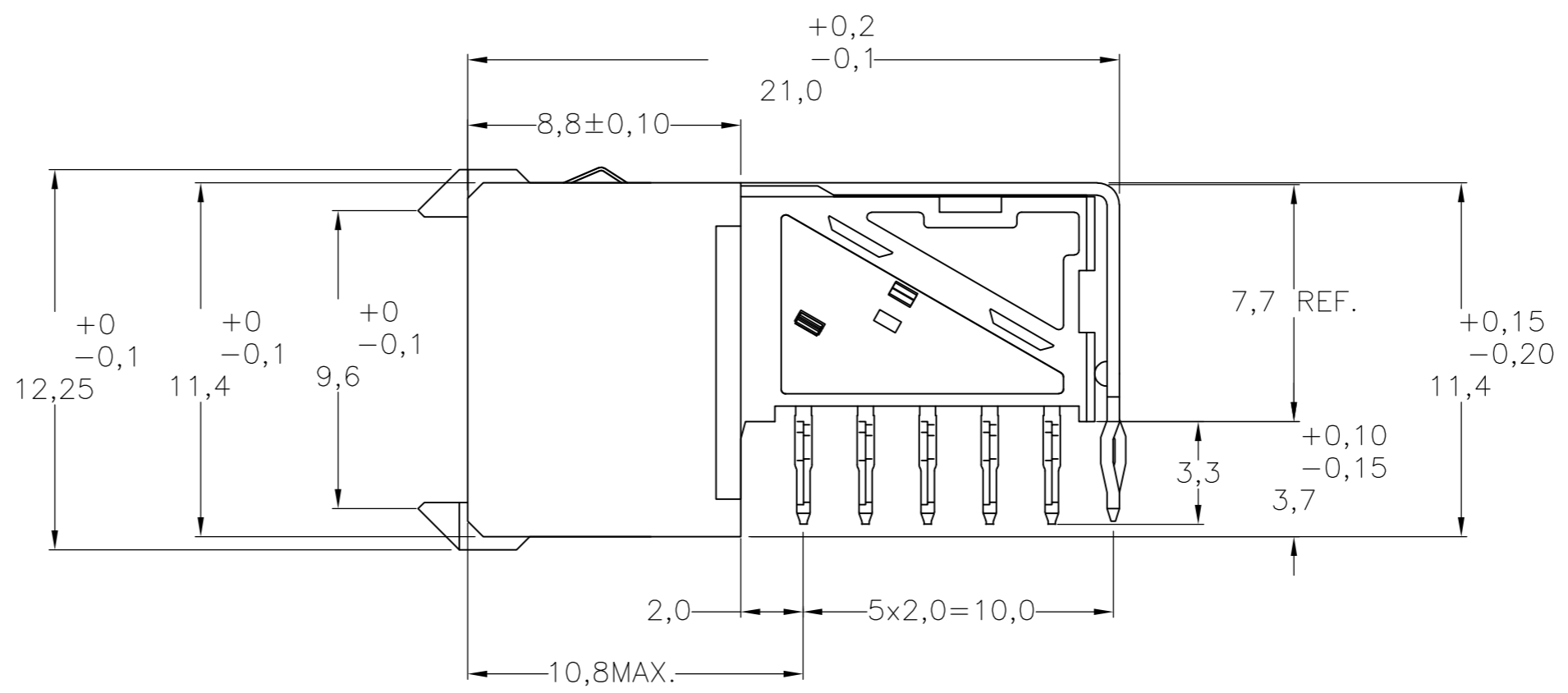
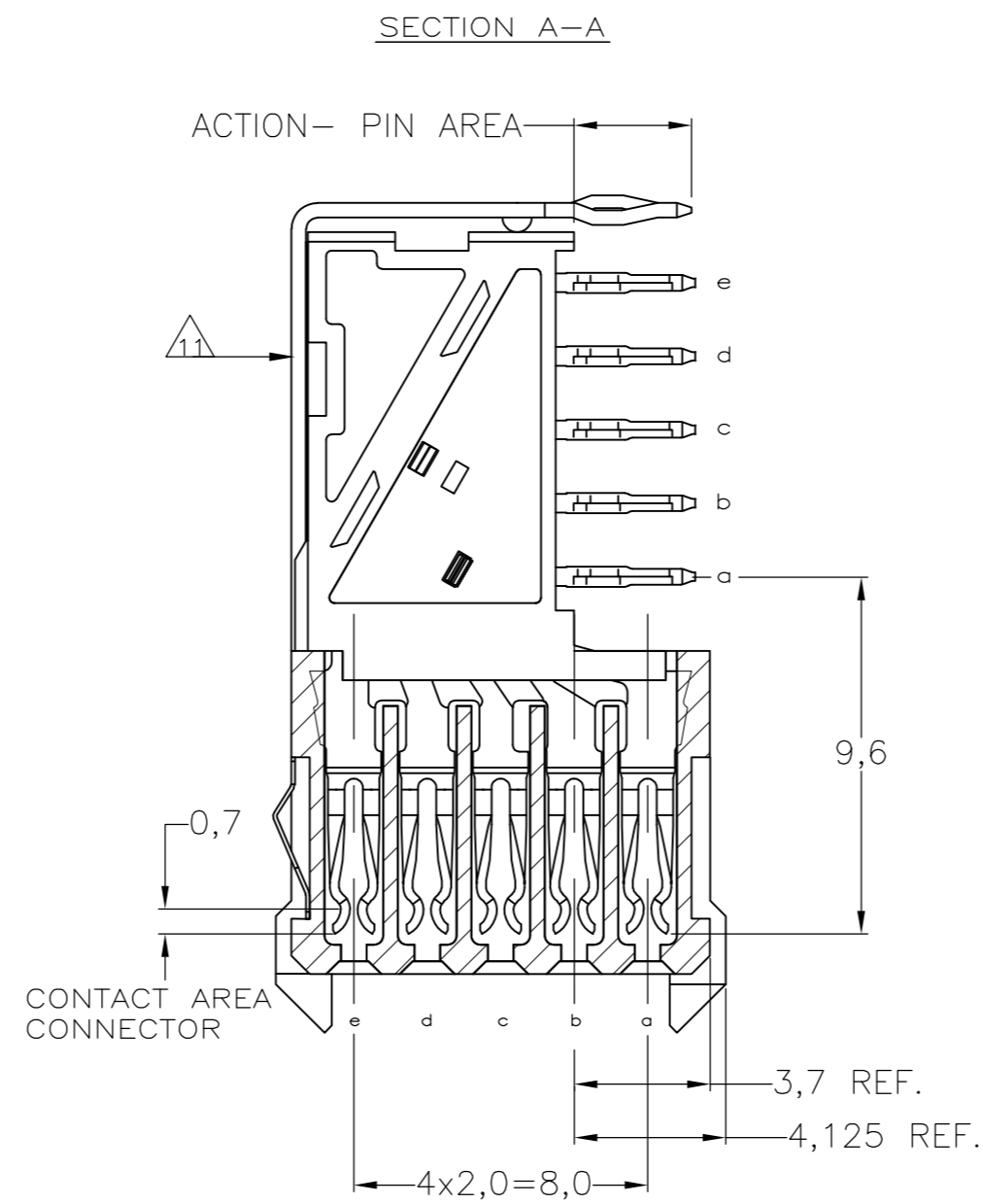
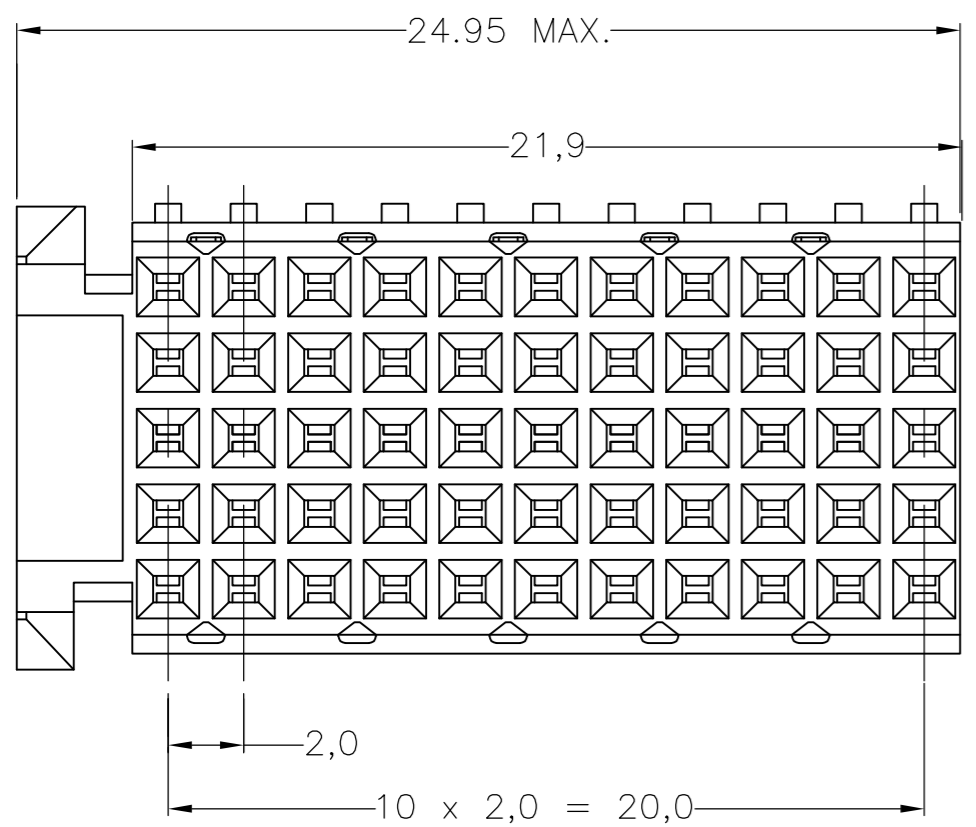
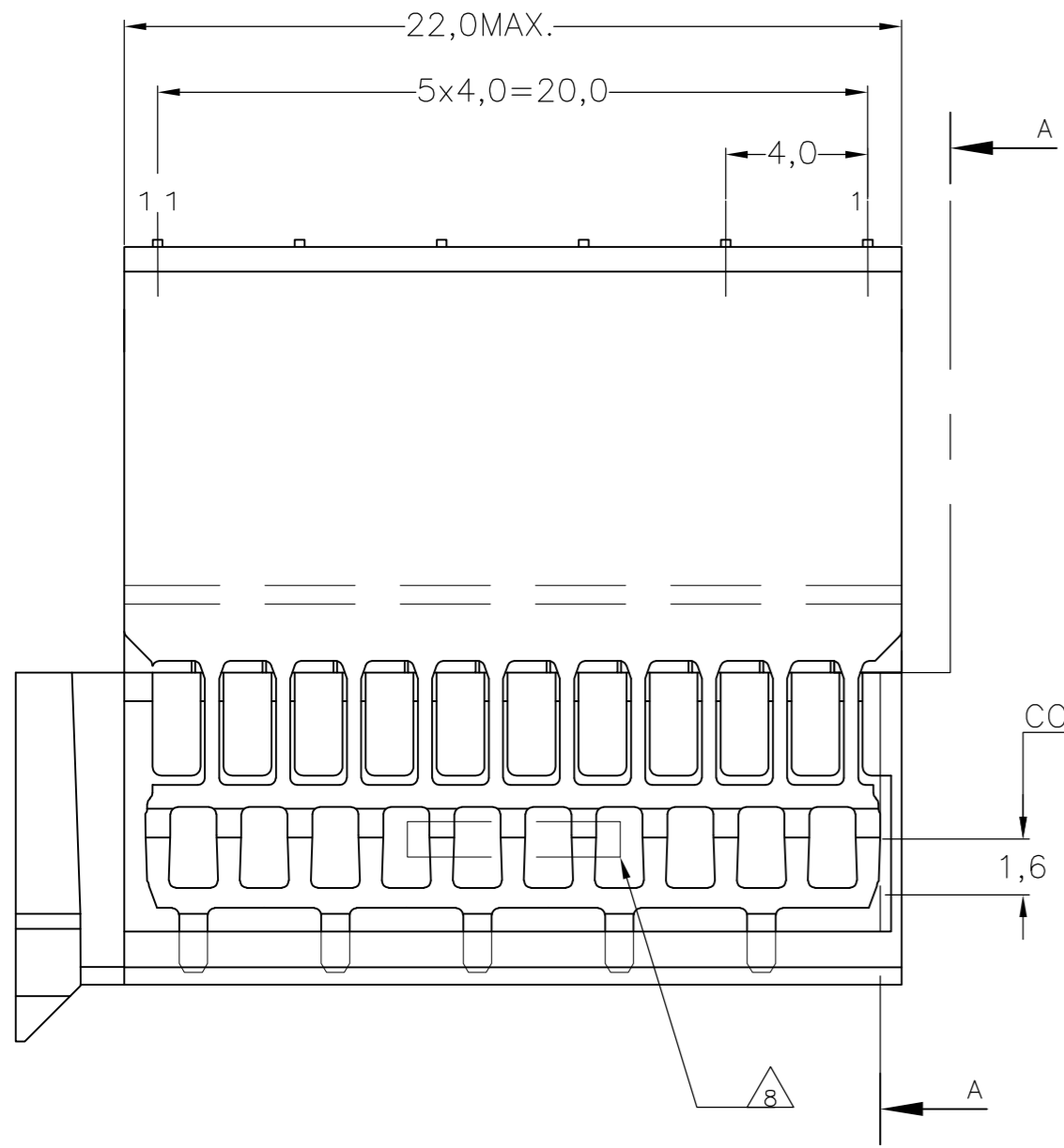


THIS DRAWING IS UNPUBLISHED. RELEASED FOR PUBLICATION
 © COPYRIGHT - By - ALL RIGHTS RESERVED.

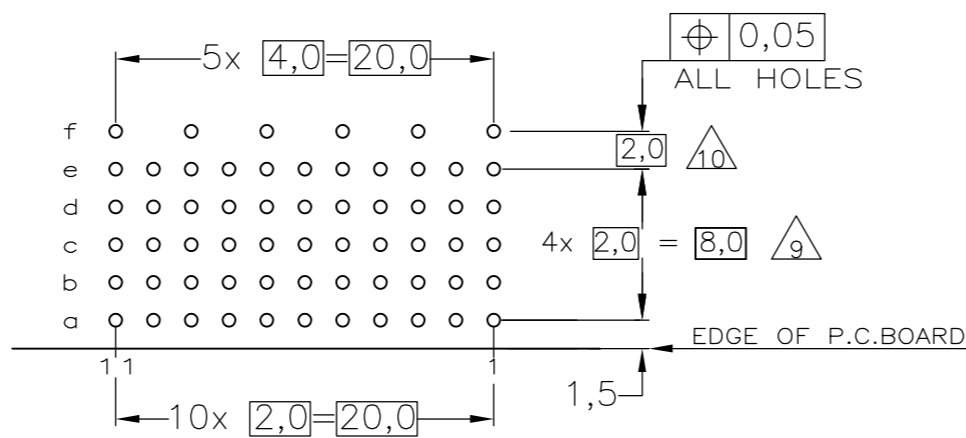
REVISIONS					
P	LTR	DESCRIPTION	DATE	DWN	APVD
M		ECR-16-013255	17JUL2017	FL	SY



NOTES:

- △ MATERIAL CONTACTS; PHOSPHORBRONZE
MATERIAL SHIELD ; PHOSPHORBRONZE
MATERIAL HOUSING; GLASSFILLED POLYESTER (GRAY)
- △ GENERAL PLATING SPECIFICATION: UNDERPLATING
(ENTIRE CONTACT): 1,27µm NICKEL MIN.AND ACTION
PIN: 0,5µm TIN-LEAD MIN.
FOR PLATING OF MATING SURFACES SEE APPLICABLE
SPECIFICATION REFERENCE FOR EACH DASH NUMBER.
- △ CONFORMS TO ALL TESTING ACCORDING IEC 61076-4-101
PERFORMANCE LEVEL 2.
- △ CONFORMS TO ALL TESTING ACCORDING IEC 61076-4-101
PERFORMANCE LEVEL 1.
- △ CONNECTOR TESTED AND QUALIFIED AGAINST TELCORDIA GR-1217-CORE
QUALITY LEVEL III,CENTRAL OFFICE APPLICATIONS.
- △ CONNECTOR LUBRICATED WITH TELCORDIA GR-1217-CORE
APPROVED LUBRICANT.
- △ ASSEMBLY PRINTED WITH P/N AND DATECODE
THE MARKING CAN APPEAR ON THE FRONT SIDE
OR BACK SIDE.
- △ HOLE PATTERN FOR FEMALE CONNECTOR TYPE C
55 PLATED-THROUGH HOLES AT 2x2mm SQUARE GRID
ROW "f" 6 PLATED THROUGH HOLES FOR UPPERSHIELD
- △ SHIELD MOUNTED ON CONNECTOR WITH DOUBLE SIDED
ADHESIVE TAPE OR ADHESIVE
- 12. FITS WITH LOWERSHIELD, BASIC PARTNUMBER : 352112.
- △ 0.76µm MIN GOLD PLATING AT MATING SURFACES.

COMPONENT SIDE AS SHOWN
 RECOMMENDED PCB-HOLE LAY-OUT
 SCALE 2,5:1



P.C.B. HOLE DIM. ACTION PIN
 FOR DETAILS SEE
 APPLICATION SPECIFICATION

OBsolete	△△△	△	3-352115-0
OBsolete	△△△	△	352115-9
	△△	△	352115-4
	△△	△	352115-1
	FINISH	MATERIAL	PARTNUMBER

THIS DRAWING IS A CONTROLLED DOCUMENT.

DIMENSIONS: mm	TOLERANCES UNLESS OTHERWISE SPECIFIED: ±0.2	DWN D. TRUREN	20JAN97	TE Connectivity	
		CHK -		Z-PACK 2mm HM	
		APVD -		TYPE C - 11 COLUMNS	
		PRODUCT SPEC 108-19082		PRE-SHIELDED RECEPTACLE	
		APPLICATION SPEC 114-19029		SIZE A2	RESTRICTED TO -
MATERIAL -	FINISH -	WEIGHT 0.000000	CAGE CODE 00779	DRAWING NO C=352115	
CUSTOMER DRAWING			SCALE NTS	SHEET 1 of 1	REV M