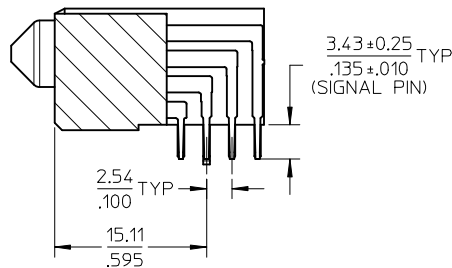
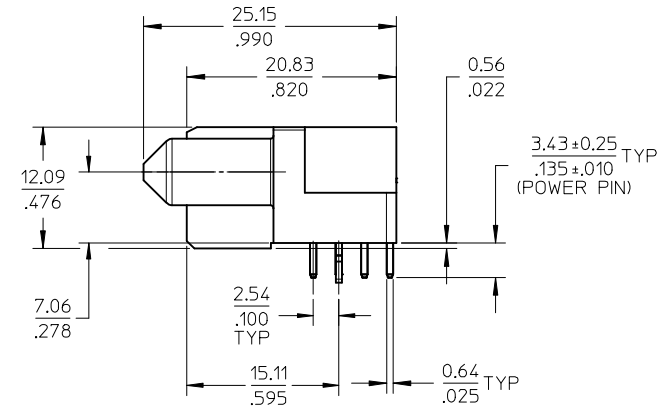
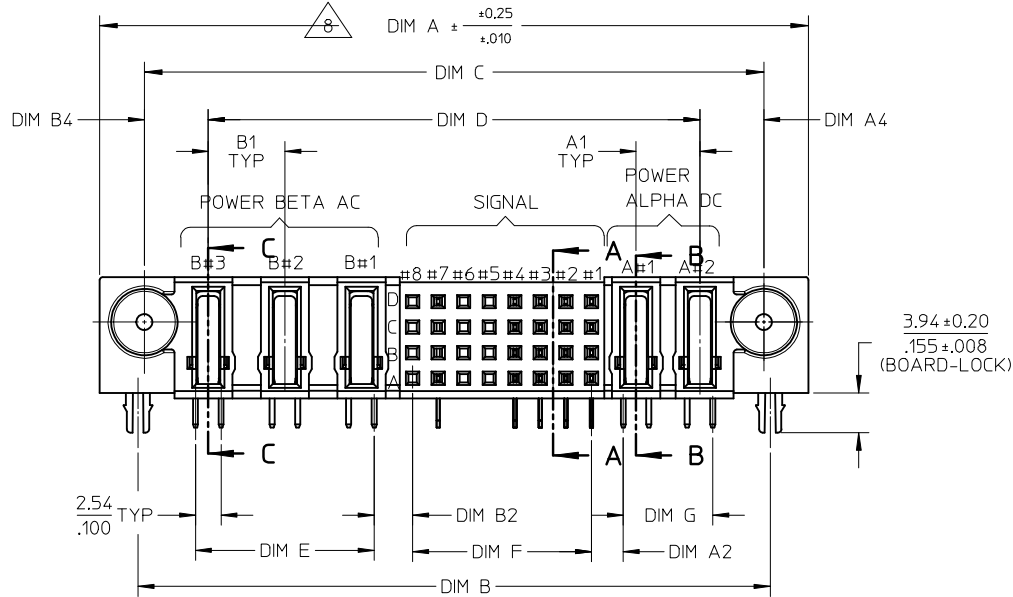
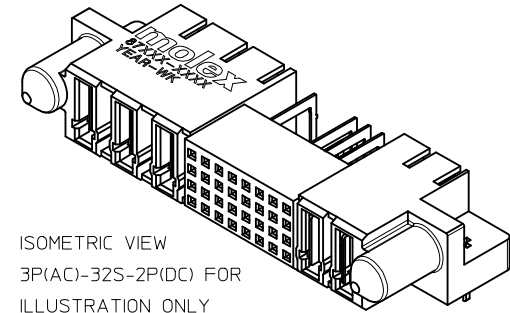
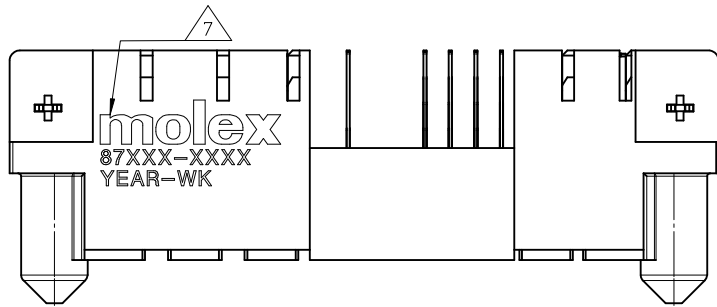


10 9 8 7 6 5 4 3 2 1



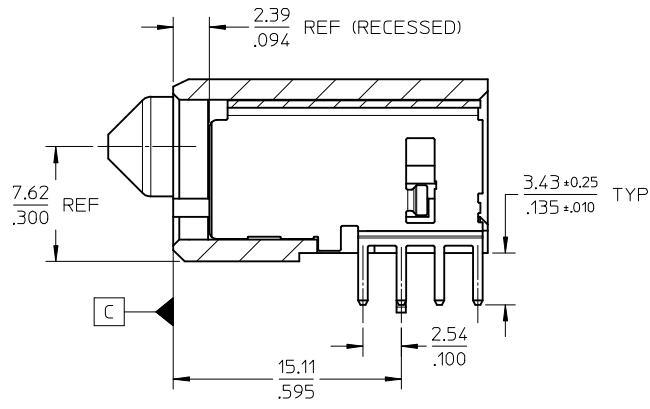
SECTION A-A

REVISED EC NO: S2014-0060 2013/07/18 DRWN:SKANG 2013/09/06 CHKD:MLONG 2013/09/09 APPR:MLONG	QUALITY SYMBOLS	GENERAL TOLERANCES (UNLESS SPECIFIED)		DIMENSION STYLE MM ONLY		SCALE NTS	DESIGN UNITS METRIC	THIRD ANGLE PROJECTION
	$F_A=0$	4 PLACES	mm	INCH	DRAWN BY KFLIM	DATE 2005/11/15	TITLE EXTREME POWERPLUS RECEPT PB(AC)-S-PA(DC) CONFIG. R/A, T/H, BOARDLOCK <b>moLEX</b>	DOCUMENT NO. SD-87664-031
	$F_C=0$	3 PLACES	± ---	± ---	CHECKED BY BHLOW	DATE 2005/11/15		
	$F_B=0$	2 PLACES	± 0.13	± ---	APPROVED BY MLONG	DATE 2010/09/16		
	1 PLACE	± 0.25	± ---	MATERIAL NO.				
		0 PLACE	±	±	SEE TABLE		SHEET NO. 1 OF 3	
		ANGULAR ± 3°		DRAFT WHERE APPLICABLE MUST REMAIN WITHIN DIMENSIONS		THIS DRAWING CONTAINS INFORMATION THAT IS PROPRIETARY TO MOLEX INCORPORATED AND SHOULD NOT BE USED WITHOUT WRITTEN PERMISSION		

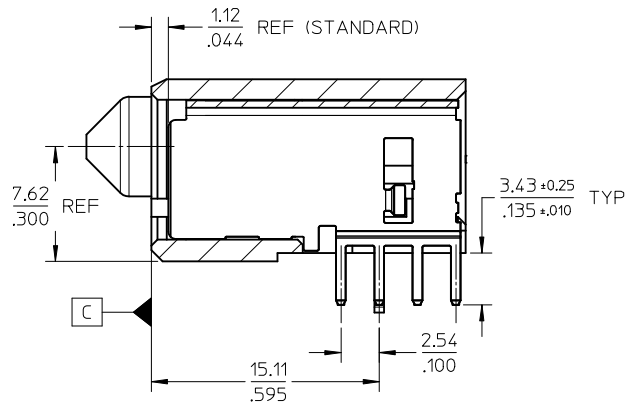
9 8 7 6 5 4 3 2 1



PART NUMBER	P-S-P CONFIGURATION			DIM A	DIM B	DIM C	DIM D	DIM E	DIM F	DIM G	RECESSED POWER PIN LOCATION		POWER ALPHA				POWER BETA				VOID SIGNAL PINS	PACKAGING
	POWER ALPHA DC	SIGNAL	POWER BETA AC								A1	A2	A3	A4	B1	B2	B3	B4				
87664-0004	1	32	3	64.14 2.525	56.52 2.225	55.25 2.175	42.55 1.675	17.78 .700	17.78 .700	2.54 .100	A B	---- 1, 2, 3	---	3.18 .125	5.72 .225	6.35 .250	7.62 .300	3.81 .150	5.72 .225	6.35 .250	A5,A6,A8,B5,B6,B8, C5,C6,C8,D5,D6,D8	TRAY
87664-0005	6	32	3	96.52 3.800	88.90 3.500	87.63 3.450	74.93 2.950	17.78 .700	17.78 .700	34.29 1.350	A B	1, 2, 3, 4, 5, 6 2, 3	6.35 .250	3.81 .150	5.72 .225	6.35 .250	7.62 .300	3.81 .150	5.72 .225	6.35 .250	A1,A6,A7,A8,B1,B6,B7,B8, C1,C6,C7,C8,D1,D6,D7,D8	TRAY



SECTION C-C  
(RECESSED)



SECTION B-B  
(STANDARD)

<b>REVISED</b> EC NO: S2014-0060 DRWN:SKANG 2013/07/18 CHKD:MLONG 2013/09/06 APPR:MLONG 2013/09/09	QUALITY SYMBOLS	GENERAL TOLERANCES (UNLESS SPECIFIED)	DIMENSION STYLE	SCALE	DESIGN UNITS	THIRD ANGLE PROJECTION																		
	$\nabla_A = 0$ $\nabla_C = 0$ $\nabla_F = 0$	<table border="1"> <tr><th></th><th>mm</th><th>INCH</th></tr> <tr><td>4 PLACES</td><td>± ---</td><td>± ---</td></tr> <tr><td>3 PLACES</td><td>± ---</td><td>± ---</td></tr> <tr><td>2 PLACES</td><td>± 0.13</td><td>± ---</td></tr> <tr><td>1 PLACE</td><td>± 0.25</td><td>± ---</td></tr> <tr><td>0 PLACE</td><td>±</td><td>±</td></tr> </table>		mm	INCH	4 PLACES	± ---	± ---	3 PLACES	± ---	± ---	2 PLACES	± 0.13	± ---	1 PLACE	± 0.25	± ---	0 PLACE	±	±	MM ONLY	NTS	METRIC	
		mm	INCH																					
	4 PLACES	± ---	± ---																					
3 PLACES	± ---	± ---																						
2 PLACES	± 0.13	± ---																						
1 PLACE	± 0.25	± ---																						
0 PLACE	±	±																						
DESCRIPTION	ANGULAR ± 3°	DRAWN BY: KFL IM	DATE: 2005/11/15	TITLE: EXTREME POWERPLUS RECEPT PB(AC)-S-PA(DC) CONFIG. R/A, T/H, BOARDLOCK																				
REV B4	DRAFT WHERE APPLICABLE MUST REMAIN WITHIN DIMENSIONS	SEE TABLE	APPROVED BY: MLONG	DATE: 2010/09/16	<b>molex</b> DOCUMENT NO. SD-87664-031 SHEET NO. 3 OF 3																			