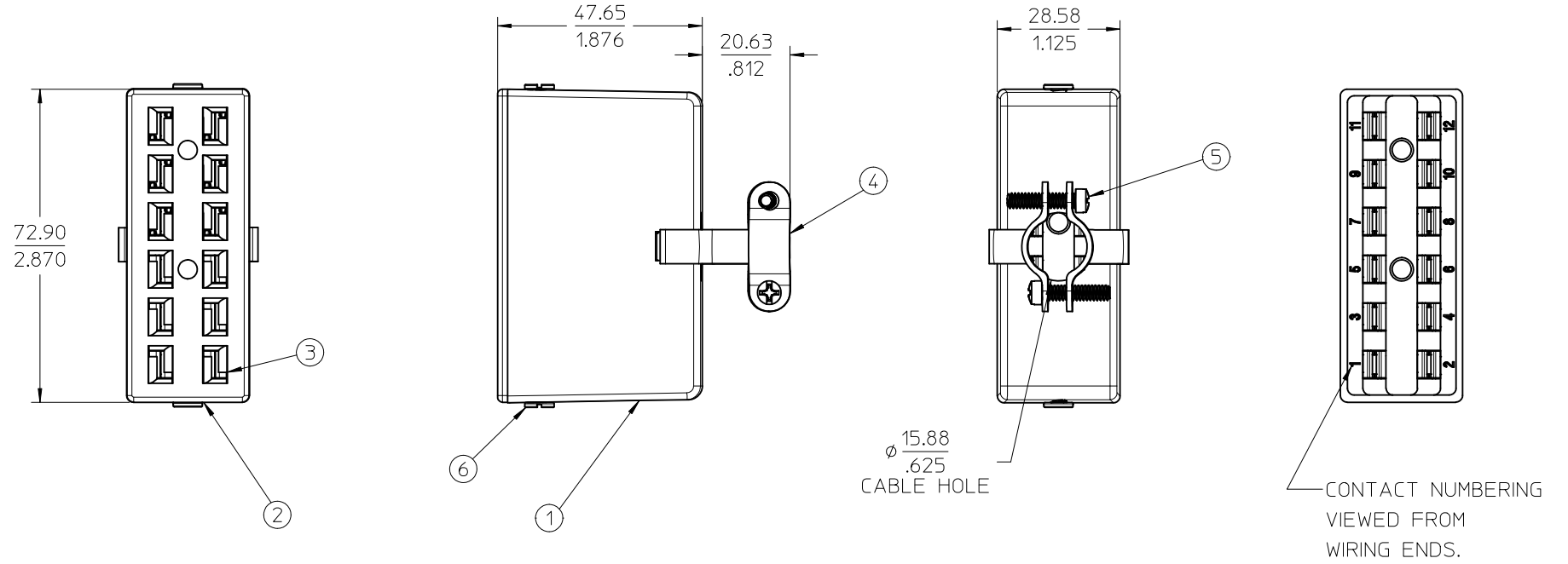
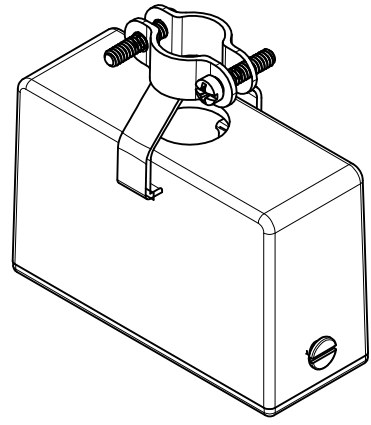


10 9 8 7 6 5 4 3 2 1



CONTACT NUMBERING
VIEWED FROM
WIRING ENDS.



ITEM	QTY	DESCRIPTION	MATERIAL	FINISH
6	2	SCREW #6-32X.312 PAN SLOTNI/STEEL	STEEL	NICKEL
5	2	SCREW #6-32X.625 FIL SLOTZN/BR/STL	STEEL	ZINC
4	2	CLAMP CABLE 3300 NI	STEEL	NICKEL
3	12	CONTAC S1 5400 SN/D	PHOS,BRONZE	TIN
2	1	BASE SOCKET 5412 MOGPP	PHENOLIC	BLACK
1	1	BCKSHL P S 5412 MO	POLYESTER	BLACK

NOTES:
1. ASSEMBLY IS ROHS COMPLIANT.

INITIAL RELEASE	DESCRIPTION
EC NO: WNA2010-0319	2010/07/10
DRWNGES	2010/05/13
CHKD:CLYORK	2010/07/12
APPR:DTITUS	
REV	
A	

QUALITY SYMBOLS	GENERAL TOLERANCES (UNLESS SPECIFIED)	DIMENSION STYLE	SCALE	DESIGN UNITS	THIRD ANGLE PROJECTION
▽=0	mm INCH	MM/IN	1:1	INCH	
∇=0	4 PLACES ± --- ± ---	DRAWN BY	DATE	TITLE	
	3 PLACES ± --- ± .015	GES	2010/02/10	SOCKET, CCT 5412 ASY	
	2 PLACES ± 0.38 ± ---	CHECKED BY	DATE		
	1 PLACE ± --- ± ---	CLYORK	2010/05/13		
	ANGULAR ± 1/2°	APPROVED BY	DATE		
		DTITUS	2010/07/12		
	DRAFT WHERE APPLICABLE MUST REMAIN WITHIN DIMENSIONS	MATERIAL NO.	385418412	DOCUMENT NO.	SD-38541-016
		SIZE	A3	THIS DRAWING CONTAINS INFORMATION THAT IS PROPRIETARY TO MOLEX INCORPORATED AND SHOULD NOT BE USED WITHOUT WRITTEN PERMISSION	

9 8 7 6 5 4 3 2 1