



Illuminated mushroom pushbutton, 22 mm, round, plastic, yellow, 30 mm, momentary contact type, Z=50-unit packaging

|  |                                  |
|--|----------------------------------|
| product brand name                                 | SIRIUS ACT                       |
| product designation                                | Mushroom pushbuttons             |
| design of the product                              | Actuating/signaling element      |
| product type designation                           | 3SU1                             |
| product line                                       | Plastic, black, 22 mm            |
| <b>Enclosure</b>                                   |                                  |
| number of command points                           | 1                                |
| <b>Actuator</b>                                    |                                  |
| design of the actuating element                    | illuminated                      |
| principle of operation of the actuating element    | momentary contact type           |
| product extension optional light source            | Yes                              |
| color of the actuating element                     | yellow                           |
| material of the actuating element                  | plastic                          |
| shape of the actuating element                     | round                            |
| outer diameter of the actuating element            | 30 mm                            |
| number of switching positions                      | 2                                |
| <b>Front ring</b>                                  |                                  |
| product component front ring                       | Yes                              |
| design of the front ring                           | Standard                         |
| material of the front ring                         | plastic                          |
| color of the front ring                            | black                            |
| <b>General technical data</b>                      |                                  |
| product function                                   |                                  |
| • EMERGENCY OFF function                           | No                               |
| • EMERGENCY STOP function                          | No                               |
| protection class IP                                | IP66, IP67, IP69(IP69K)          |
| degree of protection NEMA rating                   | 1, 2, 3, 3R, 4, 4X, 12, 13       |
| shock resistance                                   |                                  |
| • according to IEC 60068-2-27                      | sinusoidal half-wave 15g / 11 ms |
| • for railway applications according to EN 61373   | Category 1, Class B              |
| vibration resistance                               |                                  |
| • according to IEC 60068-2-6                       | 10 ... 500 Hz: 5g                |
| • for railway applications according to EN 61373   | Category 1, Class B              |
| operating frequency maximum                        | 3 600 1/h                        |
| mechanical service life (switching cycles) typical | 3 000 000                        |
| reference code according to IEC 81346-2            | S                                |
| Substance Prohibitance (Date)                      | 10/01/2014                       |
| <b>Ambient conditions</b>                          |                                  |
| ambient temperature                                |                                  |

- during operation
- during storage

-25 ... +70 °C

-40 ... +80 °C

environmental category during operation according to IEC 60721

3M6, 3S2, 3B2, 3C3, 3K6 (with relative air humidity of 10 ... 95%)

#### Installation/ mounting/ dimensions

|   |         |
|---|---------|
| height                                      | 30 mm   |
| width                                       | 30 mm   |
| shape of the installation opening           | round   |
| mounting diameter                           | 22.3 mm |
| positive tolerance of installation diameter | 0.4 mm  |
| mounting height                             | 27.5 mm |
| installation width                          | 30 mm   |
| installation depth                          | 24.4 mm |

#### Certificates/ approvals

#### Further information

Information- and Downloadcenter (Catalogs, Brochures,...)

<https://www.siemens.com/ic10>

Industry Mall (Online ordering system)

<https://mall.industry.siemens.com/mall/en/en/Catalog/product?mlfb=3SU1001-1AD30-0AA0-Z X90>

Cax online generator

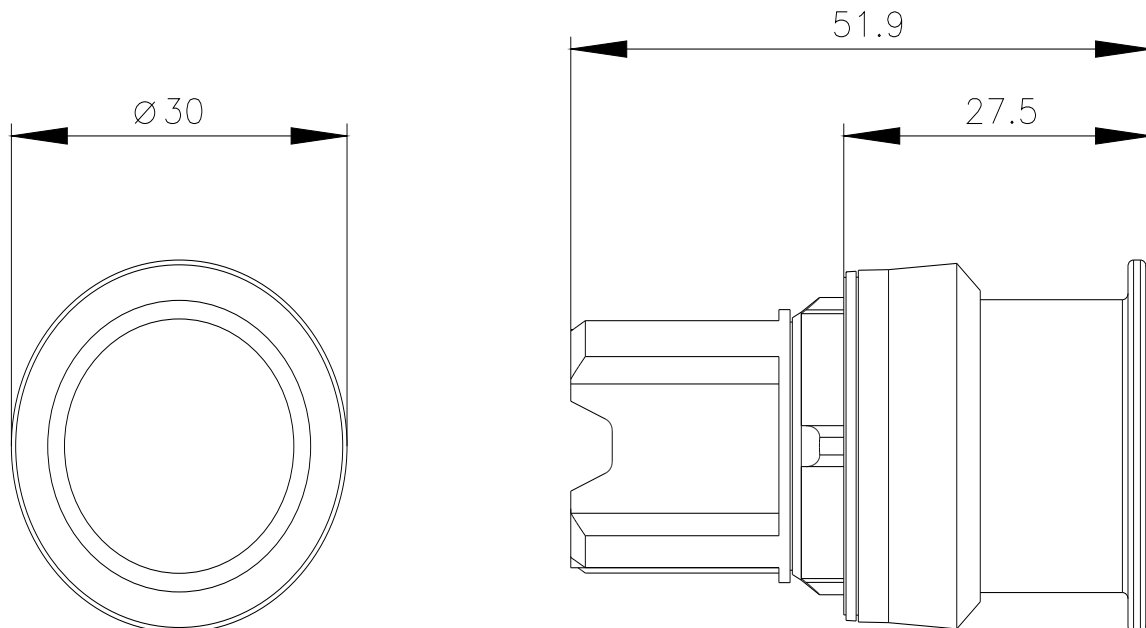
<http://support.automation.siemens.com/WW/CAXorder/default.aspx?lang=en&mlfb=3SU1001-1AD30-0AA0-Z X90>

Service&Support (Manuals, Certificates, Characteristics, FAQs,...)

<https://support.industry.siemens.com/cs/ww/en/ps/3SU1001-1AD30-0AA0-Z X90>

Image database (product images, 2D dimension drawings, 3D models, device circuit diagrams, EPLAN macros, ...)

[http://www.automation.siemens.com/bilddb/cax\\_de.aspx?mlfb=3SU1001-1AD30-0AA0-Z X90&lang=en](http://www.automation.siemens.com/bilddb/cax_de.aspx?mlfb=3SU1001-1AD30-0AA0-Z X90&lang=en)



last modified:

1/27/2022