



## Features

- ESD Protect for 1 Line with Bi-directional
- Provide ESD protection for the protected line to  
IEC 61000-4-2 (ESD)  $\pm 30\text{kV}$  (air/contact)  
IEC 61000-4-4 (EFT) 60A (5/50ns)  
IEC 61000-4-5 (Lightning) 5A (8/20 $\mu\text{s}$ )  
Cable Discharge Event (CDE)
- Suitable for, **8V and below**, operating voltage applications
- **0402 small DFN package** saves board space
- Protect one I/O line or one power line
- Fast turn-on and Low clamping voltage
- Solid-state silicon-avalanche and active circuit triggering technology
- Green part

## Applications

- Mobile Phones
- Hand Held Portable Applications
- Computer Interfaces Protection
- Microprocessors Protection
- Serial and Parallel Ports Protection
- Control Signal Lines Protection
- Power lines on PCB Protection
- Latch-up Protection

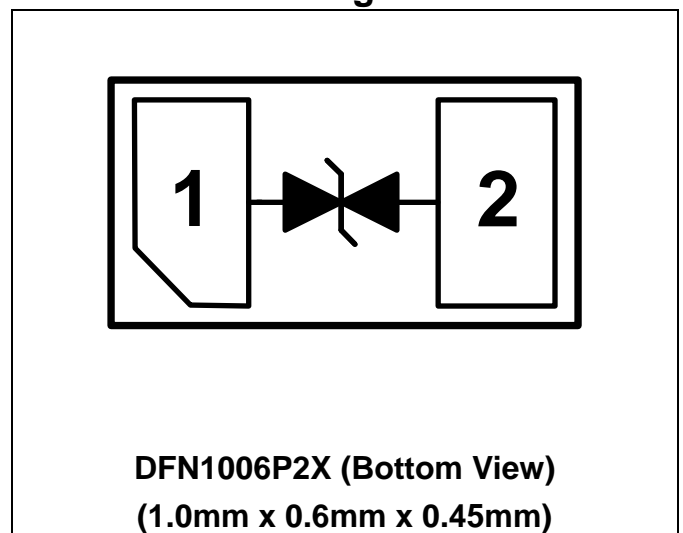
## Description

AZ4208-01F is a design which includes one Bi-directional surge rated clamping cell to protect one power line, or one control line, or one low speed data line in an electronic systems. The AZ4208-01F has been specifically designed to protect sensitive components which are connected to power and control lines from over-voltage damage and latch-up caused by Electrostatic Discharging (ESD), Electrical Fast Transients (EFT), Lightning, and Cable Discharge Event (CDE).

AZ4208-01F is a unique design which includes proprietary clamping cell in a single package. During transient conditions, the proprietary clamping cell prevents over-voltage on the power line or control/data lines, protecting any downstream components.

AZ4208-01F may be used to meet the ESD immunity requirements of IEC 61000-4-2, Level 4 ( $\pm 15\text{kV}$  air,  $\pm 8\text{kV}$  contact discharge).

## Circuit Diagram / Pin Configuration





## SPECIFICATIONS

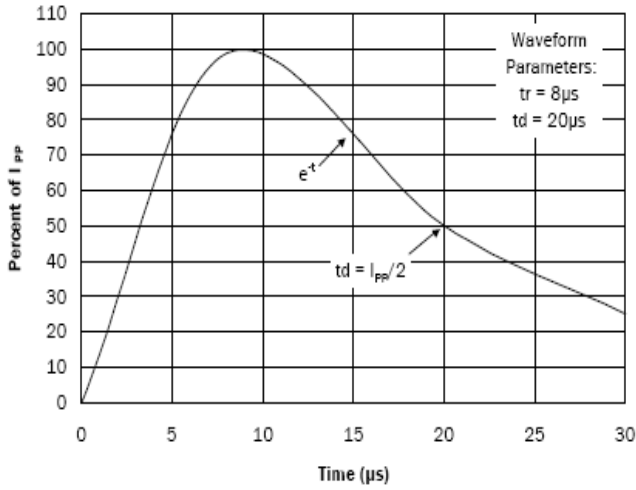
ABSOLUTE MAXIMUM RATINGS			
PARAMETER	SYMBOL	RATING	UNITS
Peak Pulse Current (tp =8/20μs)	I <sub>PP</sub>	5.0	A
Operating Supply Voltage	V <sub>DC</sub>	±8.8	V
ESD per IEC 61000-4-2 (Air)	V <sub>ESD</sub>	±30	kV
ESD per IEC 61000-4-2 (Contact)		±30	
Lead Soldering Temperature	T <sub>SOL</sub>	260 (10 sec.)	°C
Operating Temperature	T <sub>OP</sub>	-55 to +85	°C
Storage Temperature	T <sub>STO</sub>	-55 to +150	°C

ELECTRICAL CHARACTERISTICS						
PARAMETER	SYMBOL	CONDITIONS	MINI	TYP	MAX	UNITS
Stand-Off Voltage	V <sub>RVM</sub>	T=25 °C.	-8		8	V
Leakage Current	I <sub>Leak</sub>	V <sub>RVM</sub> = ±8V, T=25 °C.			1	μA
Breakdown Voltage	V <sub>BV</sub>	I <sub>BV</sub> = ±1mA, T=25 °C.	9		13	V
Surge Clamping Voltage	V <sub>surge_CL</sub>	I <sub>PP</sub> = ±5A, tp=8/20μs, T=25 °C.		14		V
ESD Clamping Voltage	V <sub>ESD_CL</sub>	IEC 61000-4-2 ±6kV, T=25 °C, Contact mode.		15		V
Channel Input Capacitance	C <sub>IN</sub>	V <sub>R</sub> = 0V, f = 1MHz, T=25 °C.		30	35	pF

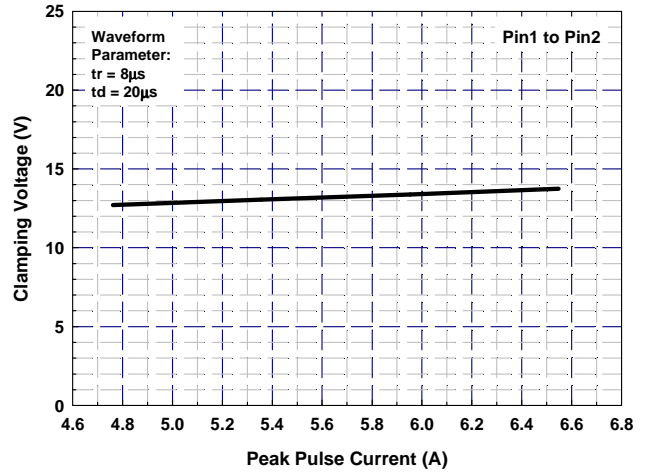


## Typical Characteristics

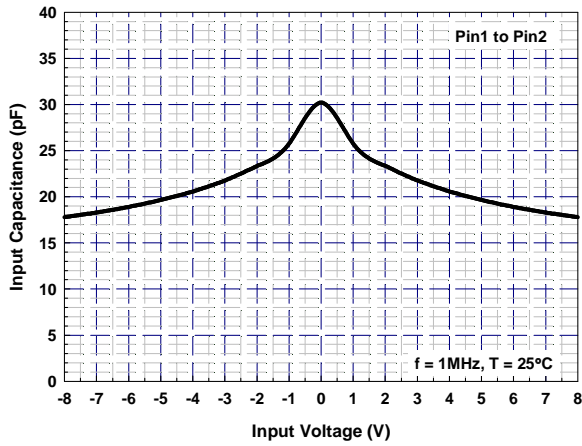
### Pulse Waveform



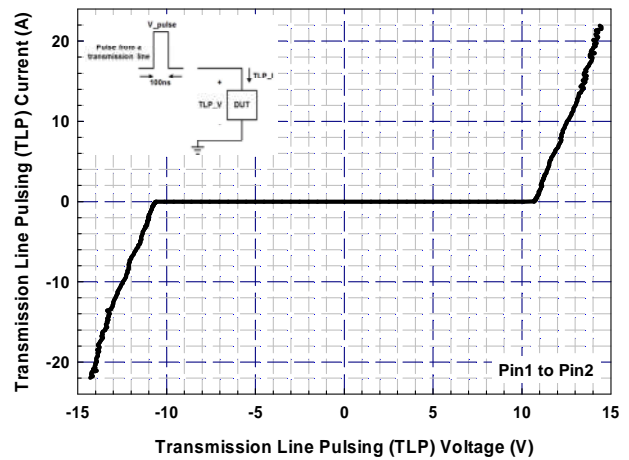
### Peak Pulse Current vs. Clamping Voltage



### Typical Variation $C_{IN}$ vs. $V_{IN}$



### Transmission Line Pulsing (TLP) Measurement





## Applications Information

The AZ4208-01F is designed to protect one line against System ESD/EFT/Lightning pulses by clamping it to an acceptable reference. It provides bi-directional protection.

The usage of the AZ4208-01F is shown in Fig. 1. Protected line, such as data line, control line, or power line, is connected at pin 1. The pin 2 is connected to a ground plane on the board. In order to minimize parasitic inductance in the board traces, all path lengths connected to the pins of AZ4208-01F should be kept as short as possible.

In order to obtain enough suppression of ESD induced transient, good circuit board is critical. Thus, the following guidelines are recommended:

- Minimize the path length between the protected lines and the AZ4208-01F.
- Place the AZ4208-01F near the input terminals or connectors to restrict transient coupling.
- The ESD current return path to ground should be kept as short as possible.
- Use ground planes whenever possible.
- NEVER route critical signals near board edges and near the lines which the ESD transient easily injects to.

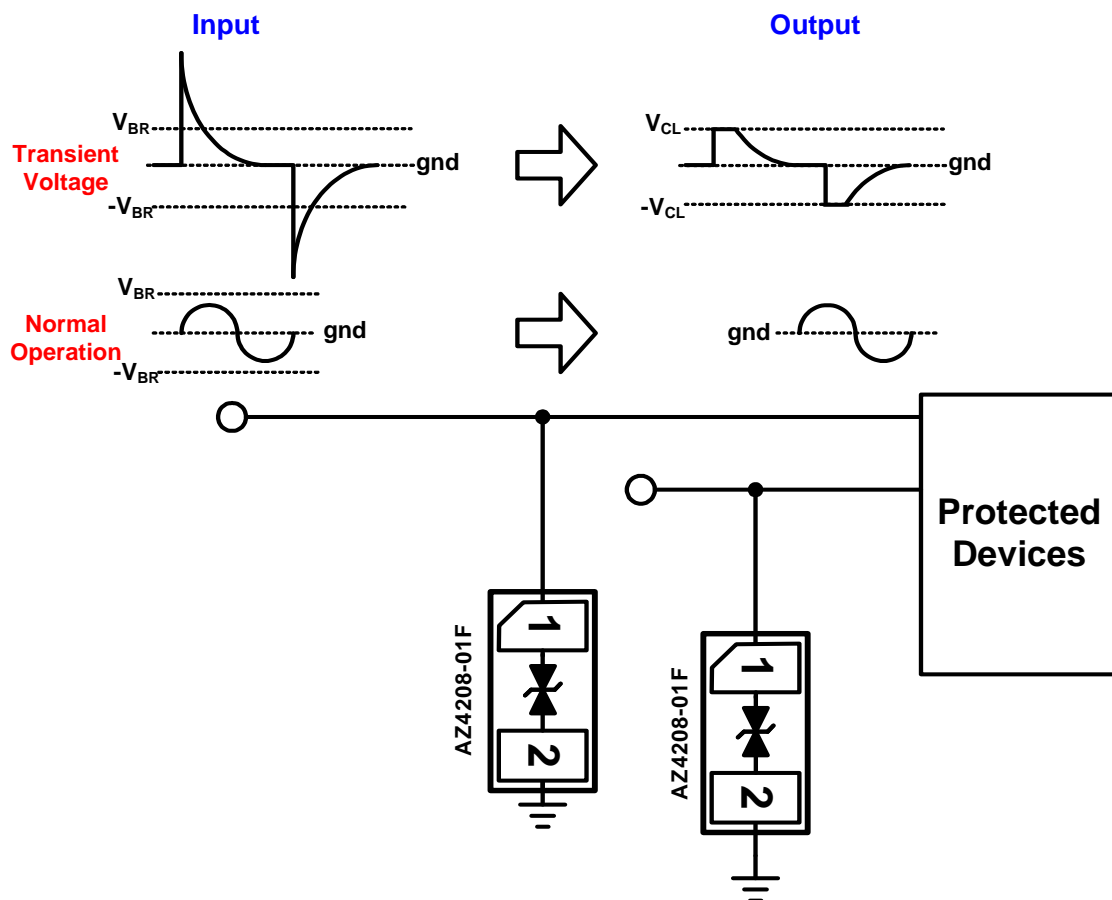


Fig. 1



Fig. 2 shows another simplified example of using AZ4208-01F to protect the control line, low speed data line, and power line from ESD transient stress.

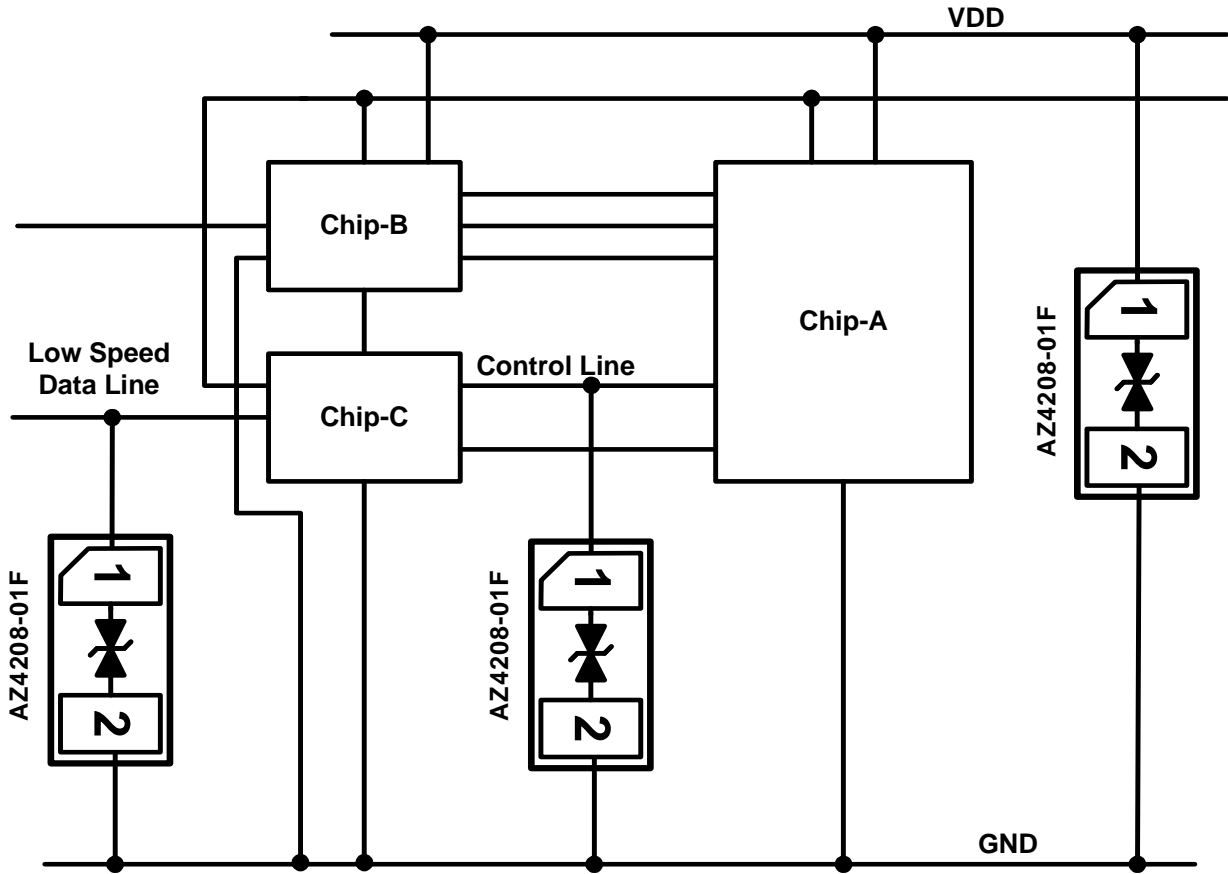
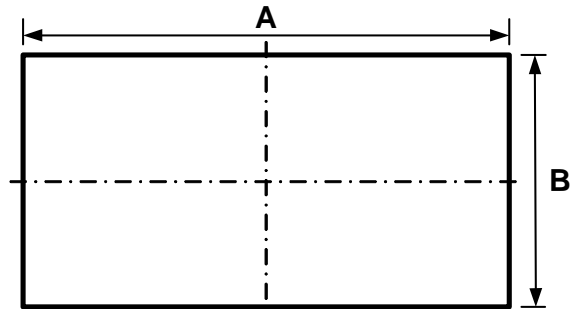


Fig. 2



## Mechanical Details

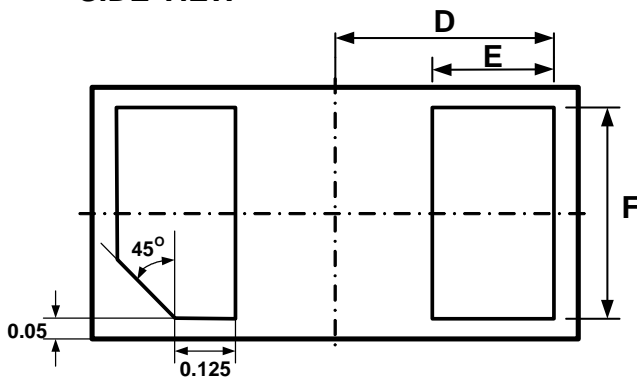
### DFN1006P2X PACKAGE DIAGRAMS



TOP VIEW



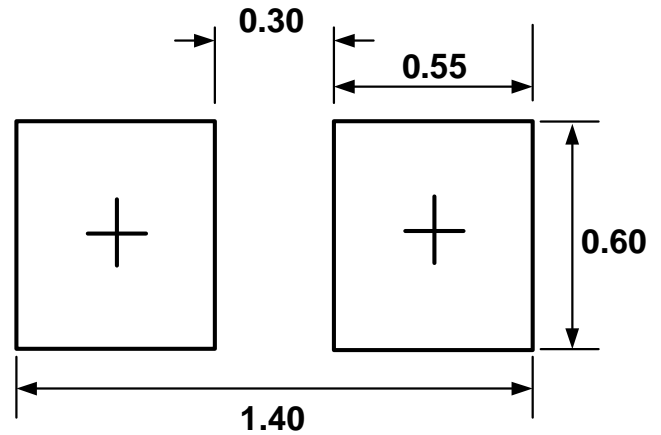
SIDE VIEW



BOTTOM VIEW

Symbol	Millimeters		Inches	
	min	max	min	max
A	0.95	1.05	0.037	0.041
B	0.55	0.65	0.022	0.026
C	0.41	0.50	0.016	0.020
D	0.45		0.018	
E	0.20	0.30	0.008	0.012
F	0.45	0.55	0.018	0.022

## LAND LAYOUT

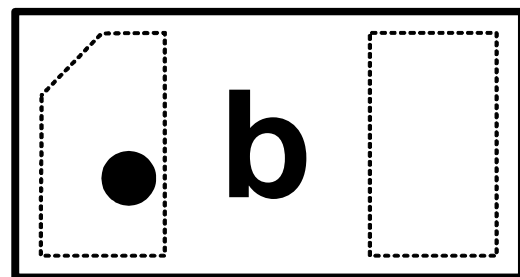


(Unit: mm)

### Notes:

This LAND LAYOUT is for reference purposes only. Please consult your manufacturing partners to ensure your company's PCB design guidelines are met.

## MARKING CODE



Top View

Part Number	Marking Code
AZ4208-01F (Green Part)	b

Note : Green means Pb-free, RoHS, and Halogen free compliant.



## Ordering Information

PN#	Material	Type	Reel size	MOQ	MOQ/internal box	MOQ/carton
AZ4208-01F.R7GR	Green	T/R	7 inch	12,000/reel	4 reel=48,000/box	6 box=288,000/carton

## Revision History

Revision	Modification Description
Revision 2011/12/01	Formal Release.
Revision 2015/01/29	Update the Ordering Information.