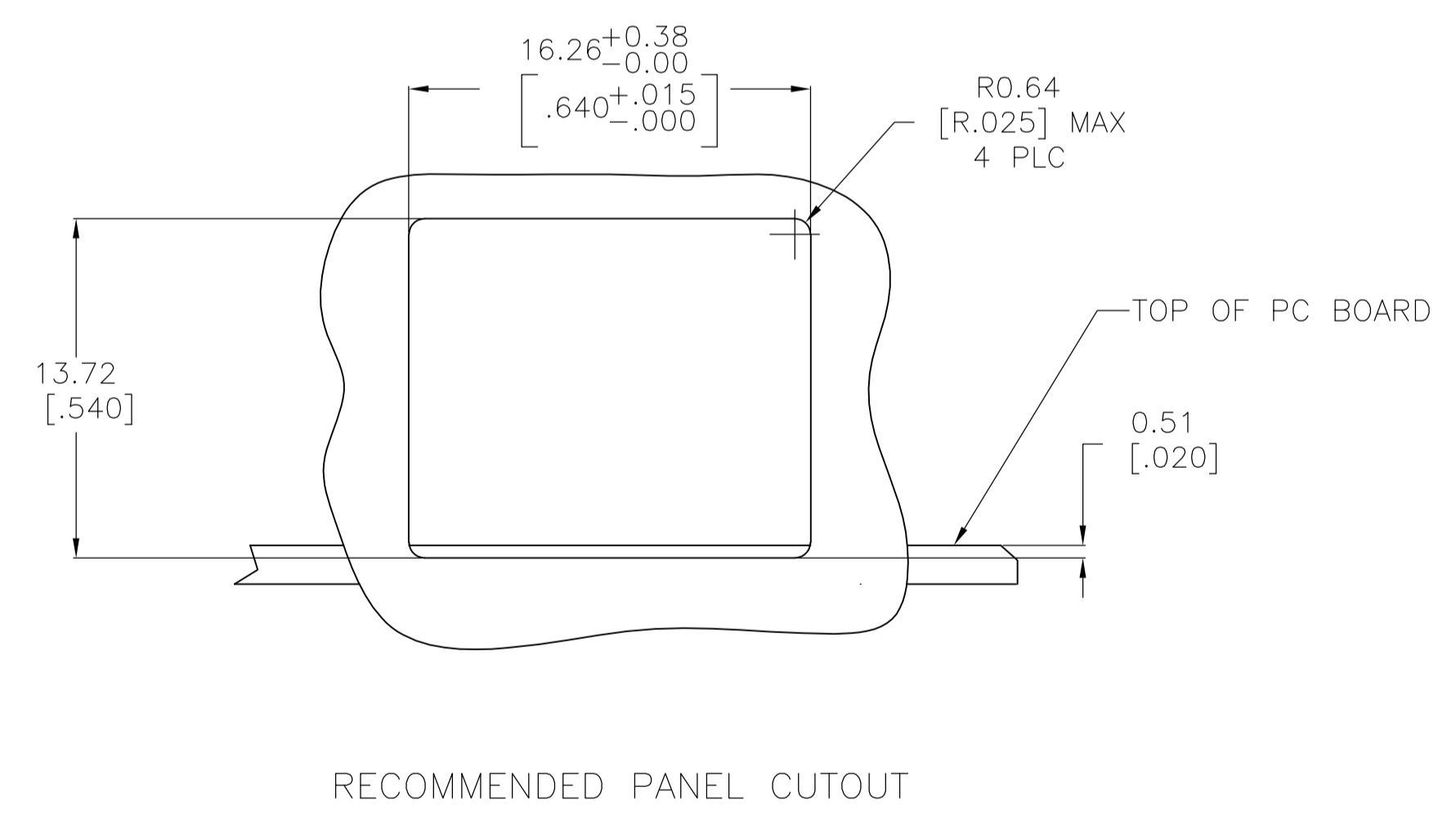
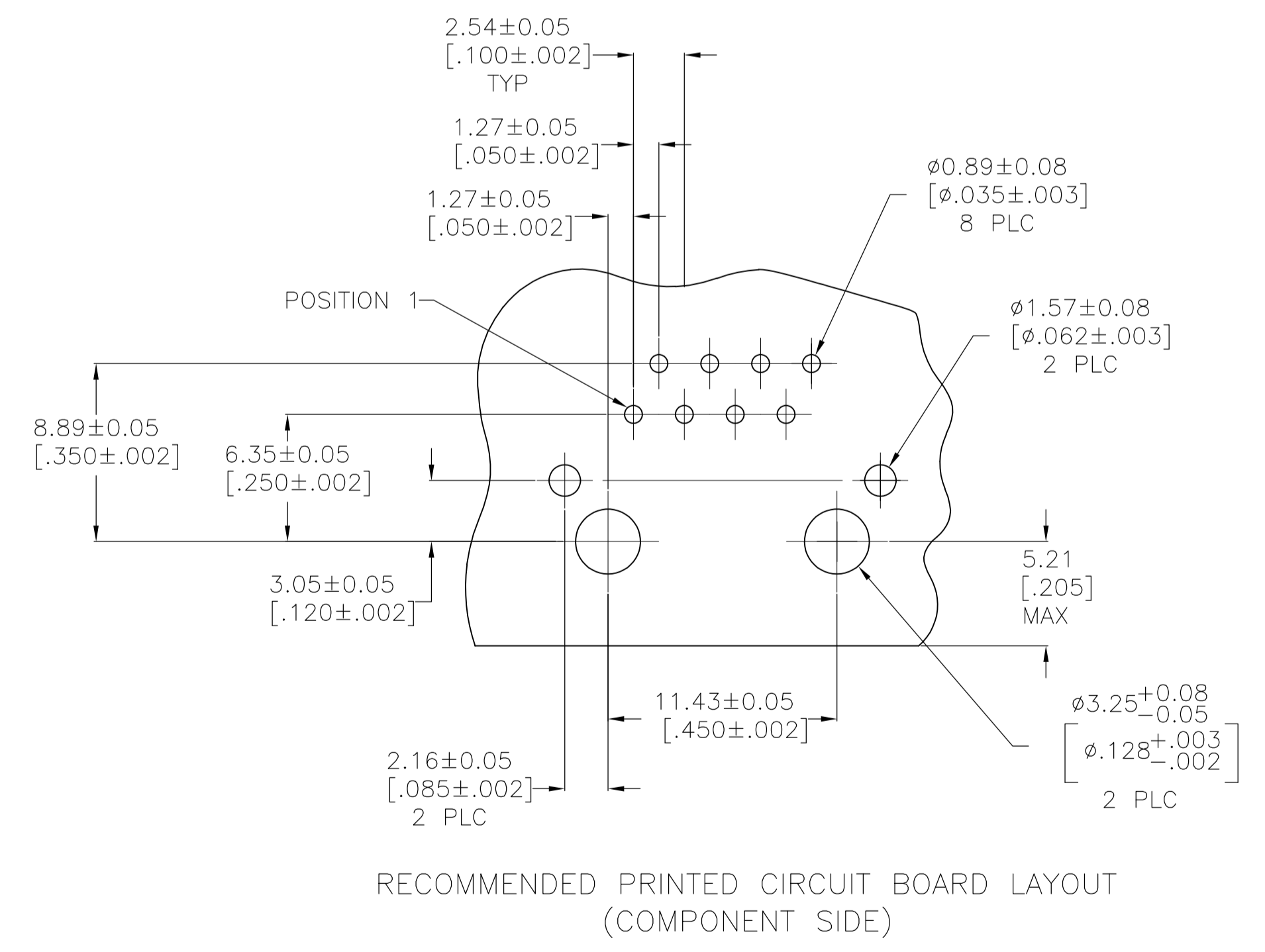


- MATERIAL:  
 HOUSING - HTN NYLON, COLOR: BLACK  
 TERMINAL - 0.36[.014] THICK PHOS-BRONZE PLATED WITH 1.27µm[.000050] MINIMUM THICK HARD GOLD IN LOCALIZED GOLD PLATE AREA AND 3.81µm[.000150] MINIMUM THICK MATTE TIN IN SOLDER AREA OVER 1.27µm[.000050] THICK MINIMUM NICKEL UNDERPLATE.  
 SHIELD - 0.25[.010] THICK COPPER ALLOY PLATED WITH 3.0µm[.000120] MINIMUM REFLOWED TIN
- △2 CAVITY CONFORMS TO FCC RULES AND REGULATIONS, PART 68, SUBPART F
- △3 DIMENSION MEASURED ALONG FRONT EDGES OF MATING FACE



5558250-1  
 PART NUMBER

THIS DRAWING IS A CONTROLLED DOCUMENT.		DIN A. FERNANDEZ-DOCKS 07/JUN/2005	Tyco Electronics Corporation Harrisburg, PA 17105-3608	
DIMENSIONS: mm [INCHES]		CHK J. WESTMAN 07/JUN/2005	NAME S. FLICKINGER 07/JUN/2005	
TOLERANCES UNLESS OTHERWISE SPECIFIED:		PRODUCT SPEC		
0 PLC ± -		108-1163		
1 PLC ± -		APPLICATION SPEC		
2 PLC ± 0.13[.005]		114-2048		
3 PLC ± -		SIZE CAGE CODE DRAWING NO		
4 PLC ± -		A1 00779 5558250		
ANGLES ± -		WEIGHT -		
MATERIAL SEE NOTE 1		FINISH SEE NOTE 1		
CUSTOMER DRAWING		SCALE 4:1 SHEET 1 OF 1 REV B		