

SPH - 1.5 ÷ 6 -17
Wide Band Base Station Antenna
Suitable for all systems between 1.5 and 6GHz



DESCRIPTION

High-gain and extremely wide band directional base station antenna suitable for all sistem between 1.5 and 6 GHz (i.e.: GSM 1.8 GHz, DCS 1.9GHz, DECT, UMTS, WLAN 2.4GHz, WLAN 5GHz, WiMAX 2.5GHz and WiMAX 3.5GHz systems). The radiant element is made of PTFE PCB to guarantee high power and low losses. The radiator is protected by a UV-stabilized radome to get the best performance for long periods of time. It's supplied with an adjustable aluminium bracket that allows the best installation flexibility.

SPECIFICATIONS

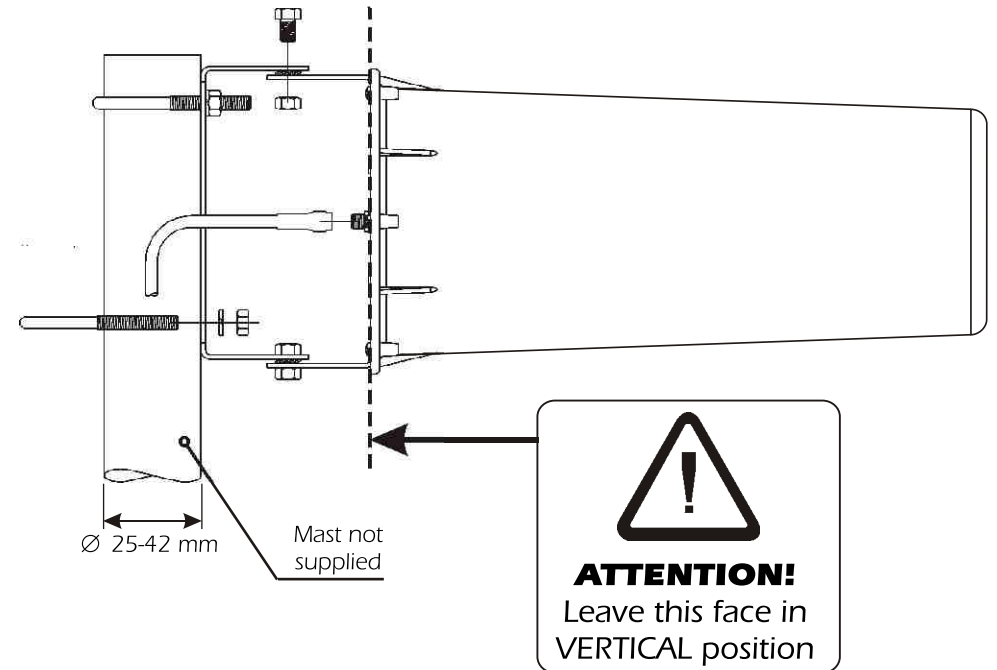
Electrical Data

Type	: Wide Band PCB Antenna
Frequency Range @ SWR ≤1.8:	1.5 - 6 GHz
Impedance	: 50 Ω
Polarization	: Linear Vertical
Max Gain	: 17 dBi (see diagram)
3 dB Beamwidth Vertical	: See diagrams
3 dB Beamwidth Horizontal	: See diagrams
Front to back ratio	: ≥ 20 dB
Radiation angle deg.	: 0°
Max Power @ 30° C	: 15 Watts (CW) from 1.5 to 4GHz : 10 Watts (CW) from 4 to 6 GHz
Grounding Protection	: All metal parts are DC-grounded, the inner conductor is coupled capacitively
Connector type	: SMA-female

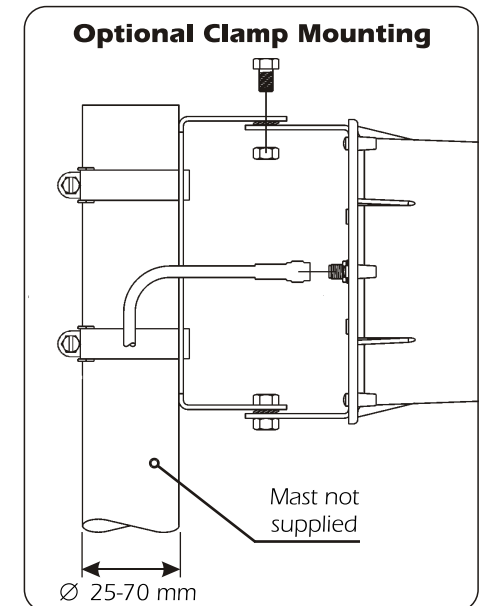
Mechanical Data

Housing Materials	: Aluminium, Stainless Steel, white ABS UV stabilized, PCB
Radome Material	: White ABS UV Stabilized
Wind Load / Resistance	: 61N @ 150 Km/h / 180 Km/h
Wind Surface	: 0.04 m ²
Dimensions (approx.)	: 345 x 135 x 73 mm
Turning radius (approx.)	: 310 mm
Weight (approx.)	: 450 gr
Operating Temperature	: -40° C to 80° C
Mounting Mast	: Mast ∅ 25-42 mm whit U-bolt Clamp ∅ 25-70 mm (optional) Wall mounting screws (not included)

MOUNTING INSTRUCTIONS



Fixing Bracket Parts List	
Re-order code: SA169	
Q.ty	Description
1	38x129x47 mm aluminium bracket
2	M6x10 hexagonal head screws
2	M6 serrated lock washers
2	M6 hexagonal nuts
U-bolts Mounting Parts List	
Re-order code: SA008	
Q.ty	Description
2	M6x69 mm U-bolts
4	M6 washers
4	M6 spring lock washers
4	M6 hexagonal nuts



Mounting needed tools:	
n. 2	10 mm open key