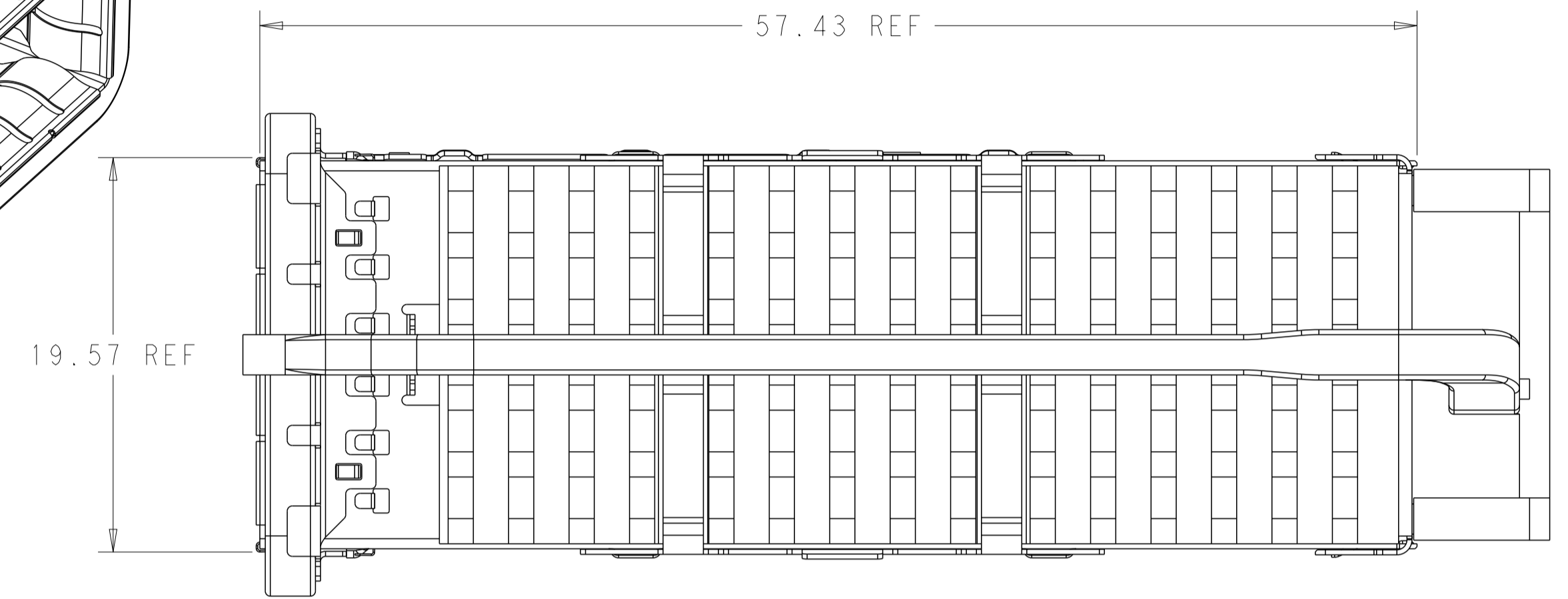
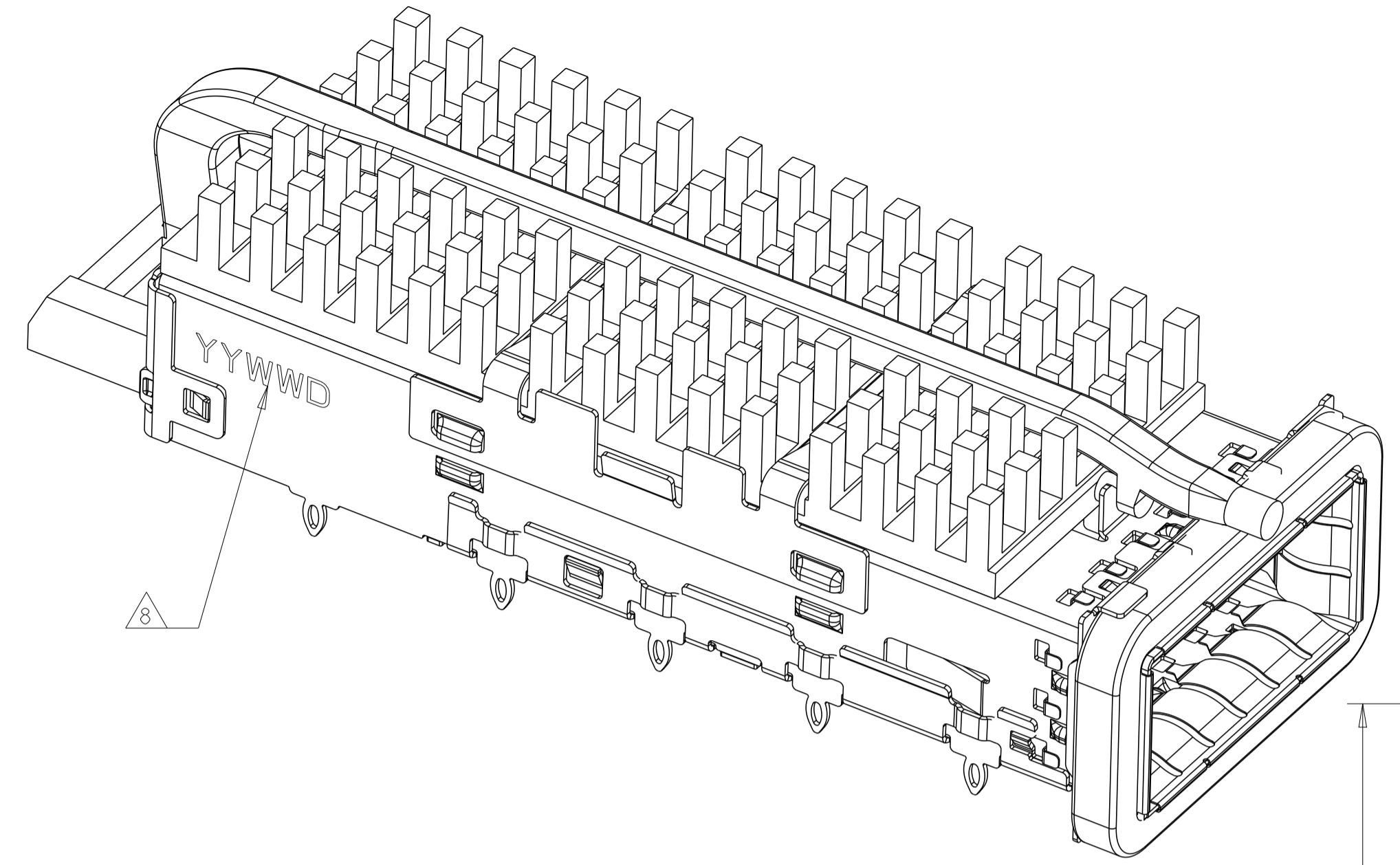


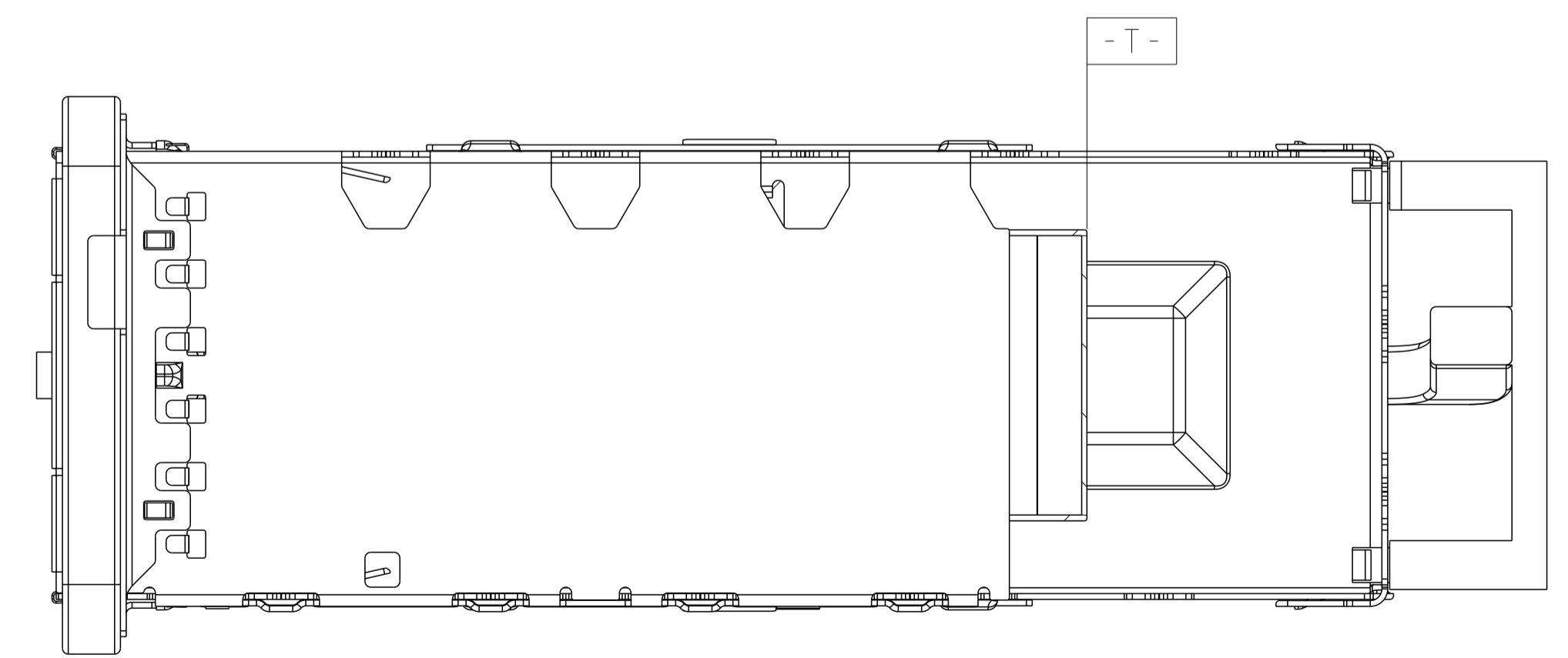
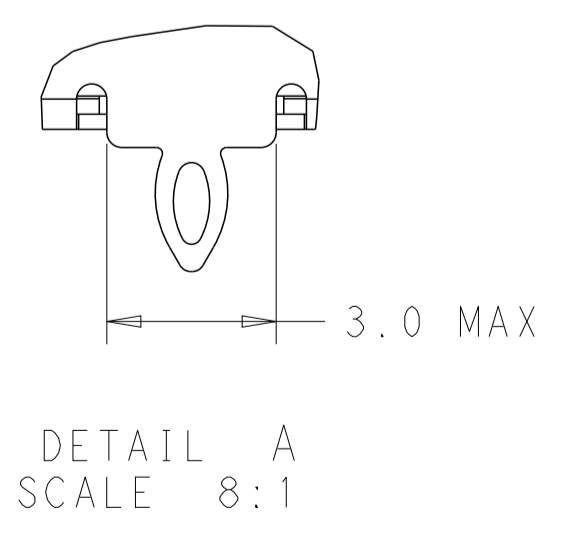
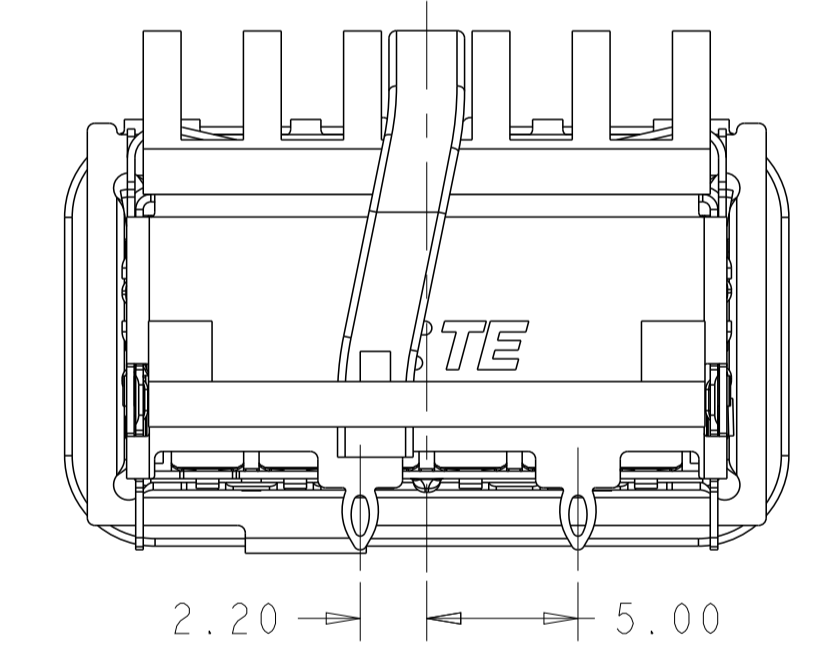
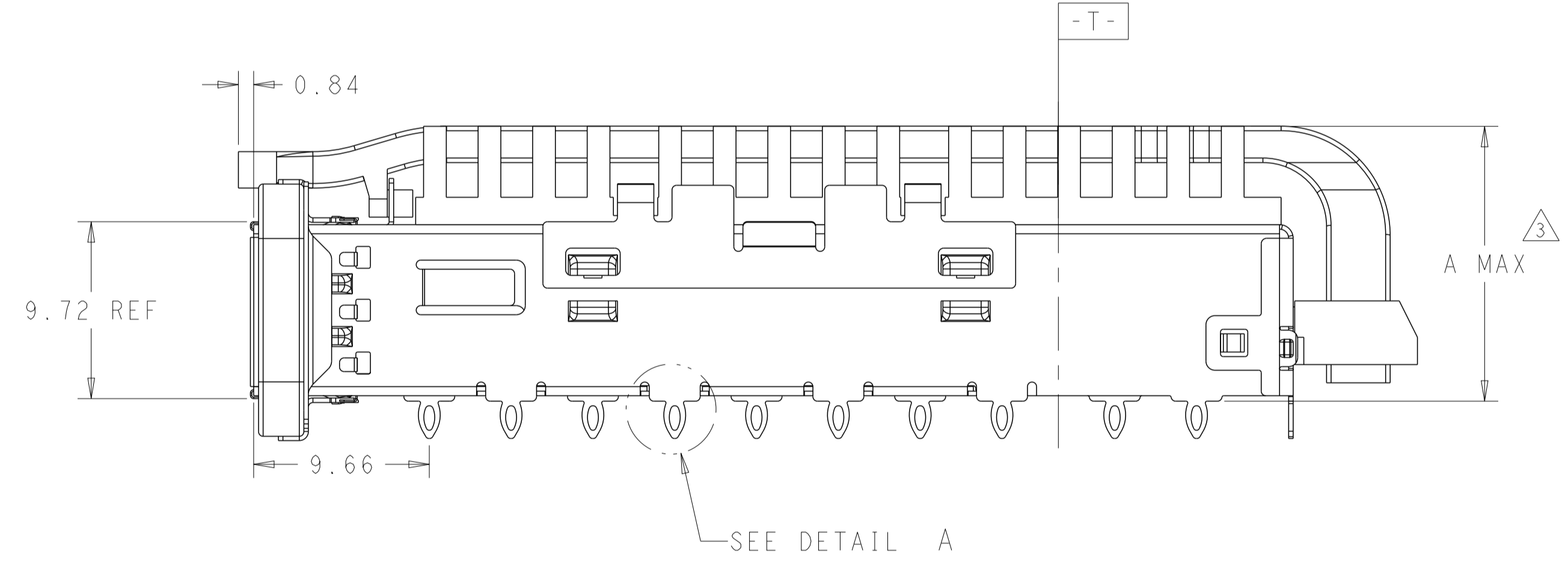
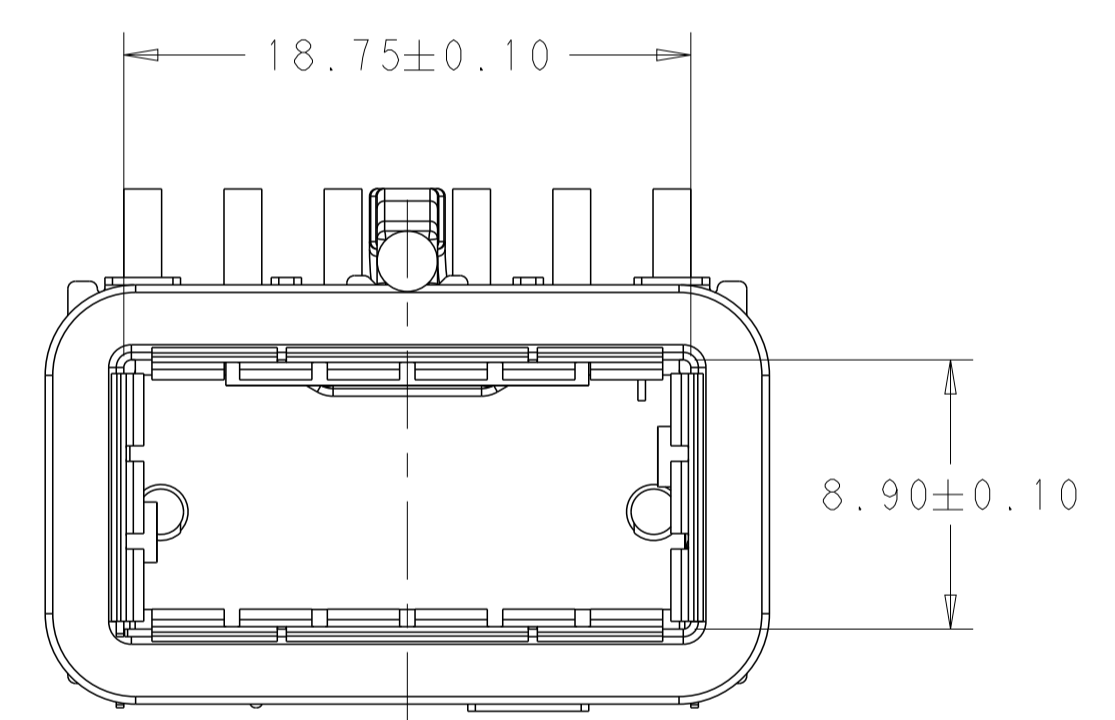
LOC	DIST	REVISIONS					
		P	LTN	DESCRIPTION	DATE	DWN	APVD
		A		RELEASE	30DEC2015	JY	SH
		B		REVISED PER ECO-19-016043	21OCT2019	SH	SH
		B1		REVISED PER ECN-22-163746	11JUL2022	IT	SZ



1. MATERIAL:
 CAGE MATERIAL : 0.25 THICK NICKEL SILVER.
 SPRING MATERIAL: COPPER ALLOY
 HEAT SINK MATERIAL: ALUMINUM
 CLIP MATERIAL: STAINLESS STEEL
 LIGHT PIPE: POLYCARBONATE WITH 94 V-0
 EMI GASKET: PLATED FILLED SILICONE
 ORGANIZER MATERIAL: POLYESTER WITH 94 V-0

2. FINISH:
 SPRING: NICKEL PLATING
 HEAT SINK: BLACK ANODIZE

3. DIMENSION APPLIES WITH MODULE INSTALLED IN THE CAGE TO TOP OF HEAT SINK.
 4. REFERENCE APPLICATION SPEC 114-32023 FOR RECOMMENDED DRILL HOLE DIAMETER AND PLATING THICKNESS.
 5. DATUM AND BASIC DIMENSIONS ESTABLISHED BY CUSTOMERS.
 6. MINIMUM PC BOARD THICKNESS :
 SINGLES SIDED: 1.57 MIN
 DOUBLE SIDED: 3.00 MIN
 7. DATUM -A- IS TOP SURFACE OF THE HOST BOARD.
 8. DATE CODE (YYWW) MARKED APPROXIMATELY AS SHOWN
 9. MATES WITH QSFP28 MSA COMPATIBLE TRANSCEIVER.

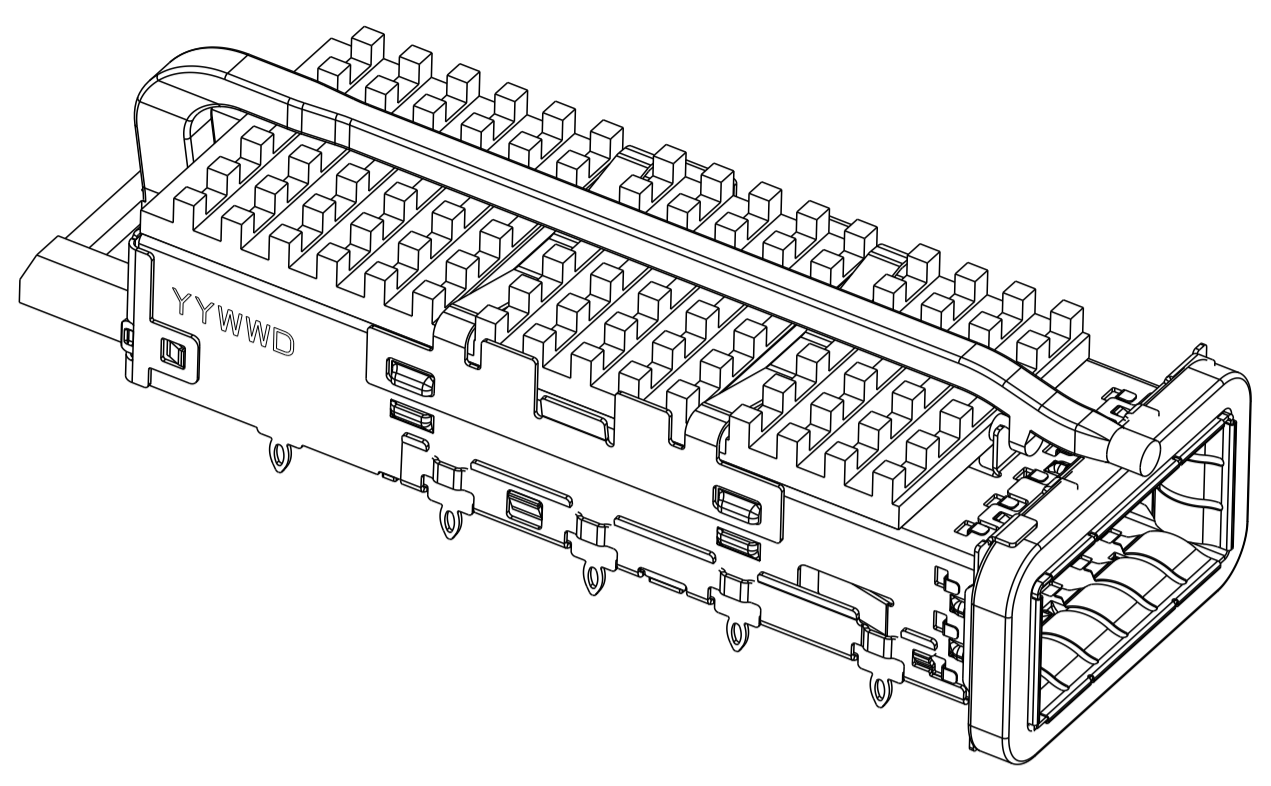


2170754-2 AS SHOWN

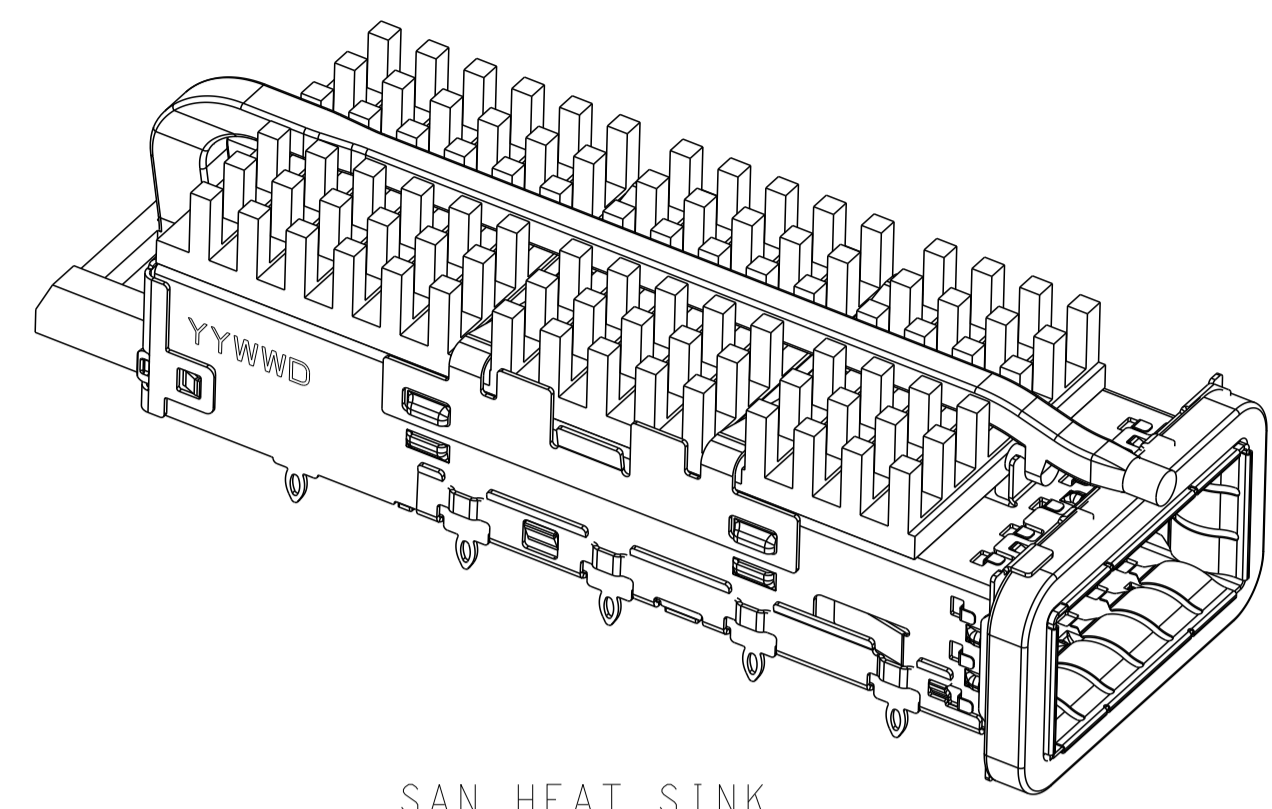
THIS DRAWING IS A CONTROLLED DOCUMENT.		DWN: JASON YANG 01APR2014	TE Connectivity	
		CHK: SEAN HAN 30DEC2015		
DIMENSIONS:		APVD: -		NAME:
TOLERANCES UNLESS OTHERWISE SPECIFIED:		PRODUCT SPEC:		CAGE ASSEMBLY, QSFP28 1X1, THRU BEZEL, WITH EMI GASKET HEAT SINK, LIGHT PIPE
mm		108-19428		SIZE:
0 PLC ±0.25		APPLICATION SPEC:		CAGE CODE: A100779
1 PLC ±0.25		114-32023		DRAWING NO: C=2170754
2 PLC ±0.20		WEIGHT:		RESTRICTED TO:
3 PLC ±0.100		CUSTOMER DRAWING		SCALE: 2:1
4 PLC ±		SCALE: 2:1		SHEET 1 OF 7
ANGLES ±°		SHEET 1 OF 7		REV: B1
FINISH:		SHEET 1 OF 7		

LOC	DIST	REVISIONS			
P	LTN	DESCRIPTION	DATE	DMN	APVD
rev_sym_1	1666_8H6E111			rev_defect	dmn_bppr_1
rev_sym_2	rev_desc_2			rev_defect	dmn_bppr_2
rev_sym_3	rev_desc_3			rev_defect	dmn_bppr_3
rev_sym_4	rev_desc_4			rev_defect	dmn_bppr_4

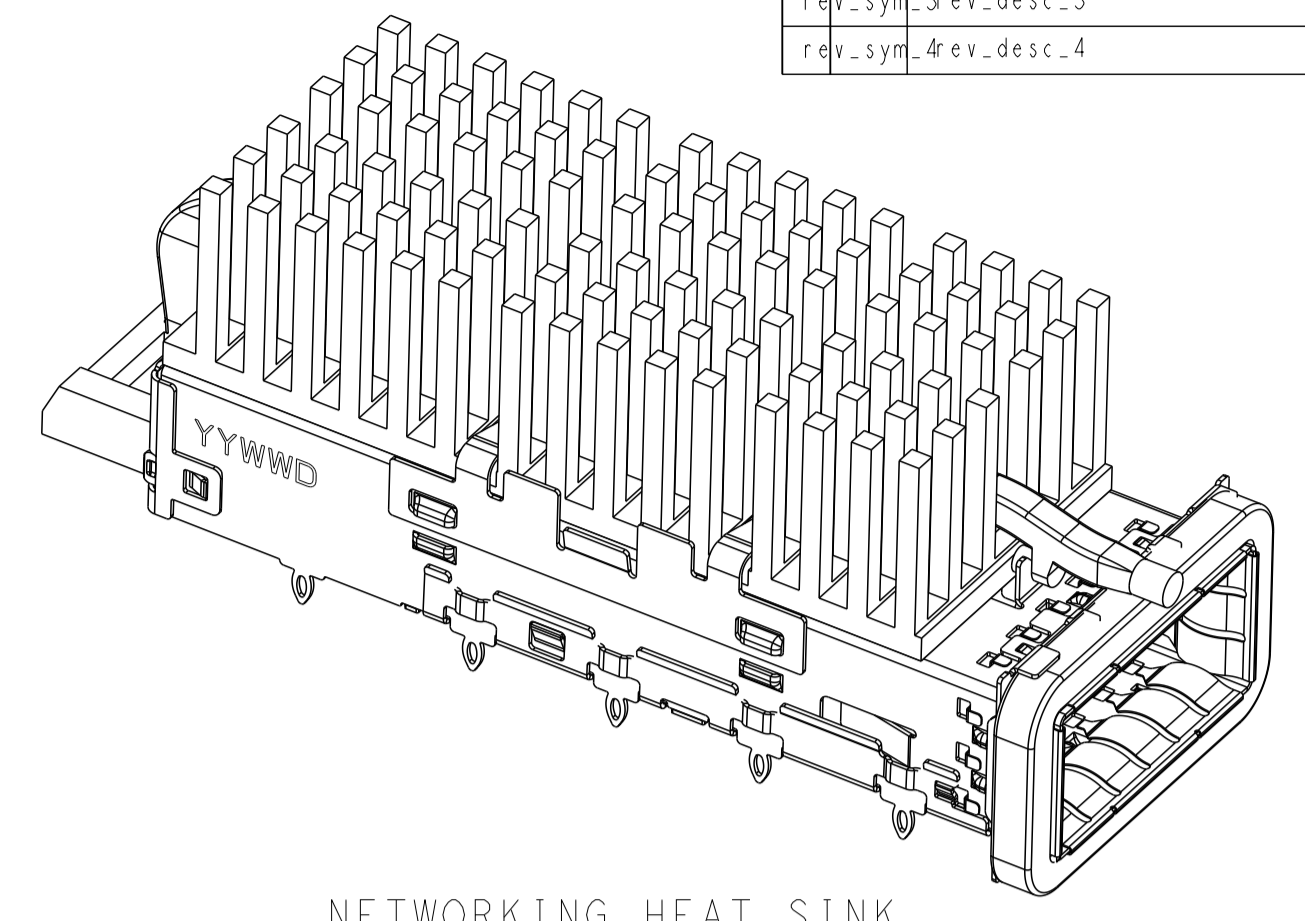
HEAT SINK OPTIONS



PCI HEAT SINK
SCALE 5:2

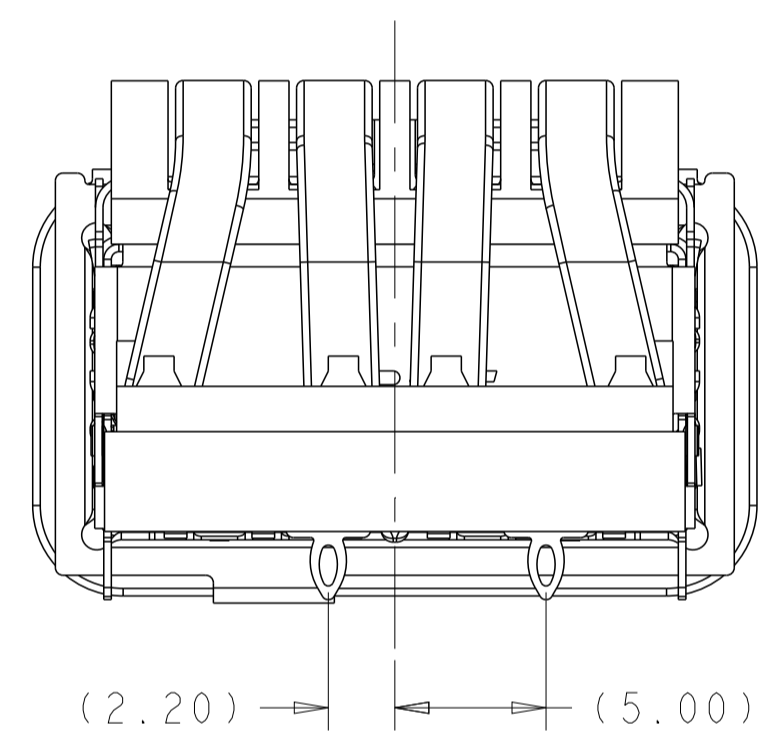


SAN HEAT SINK
SCALE 5:2

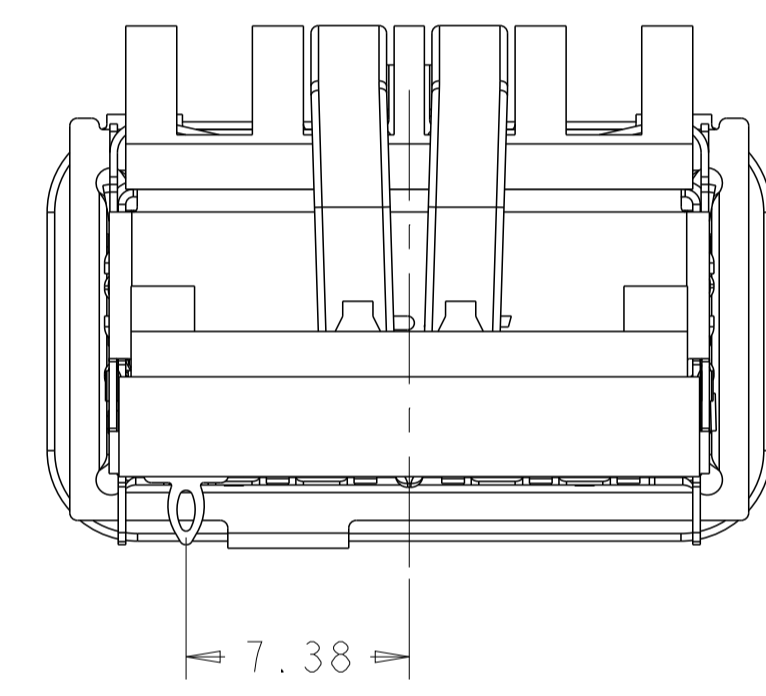


NETWORKING HEAT SINK
SCALE 5:2

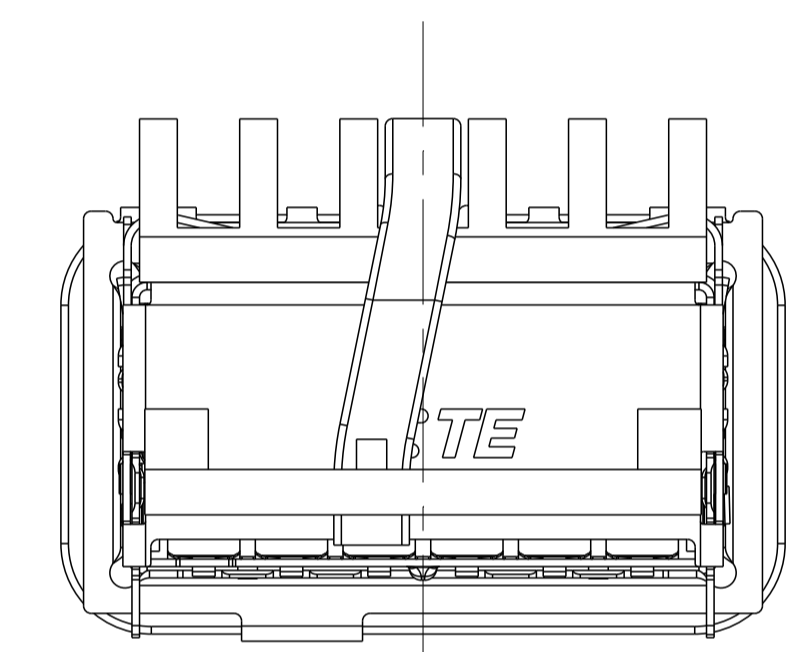
OF REAR LEGS OPTIONS



2 REAR LEGS
SCALE 4:1

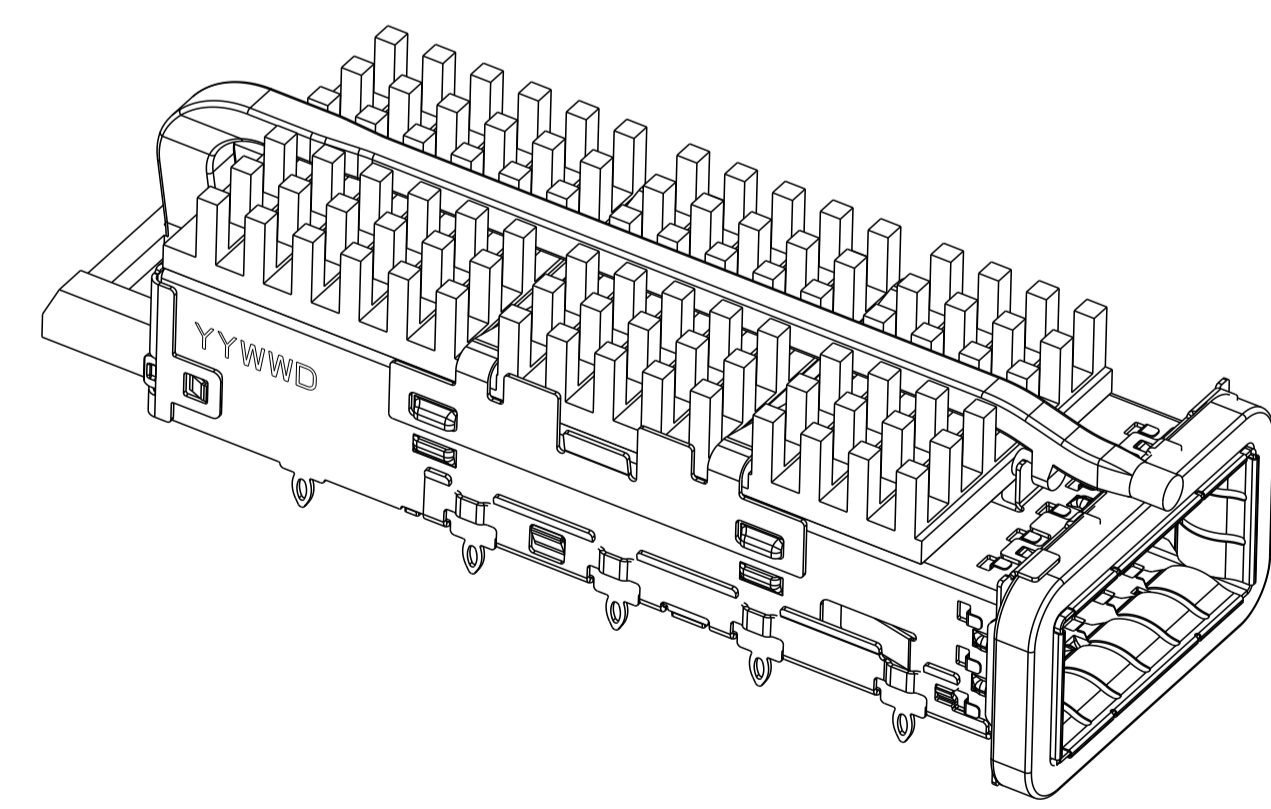


1 REAR LEG
SCALE 4:1

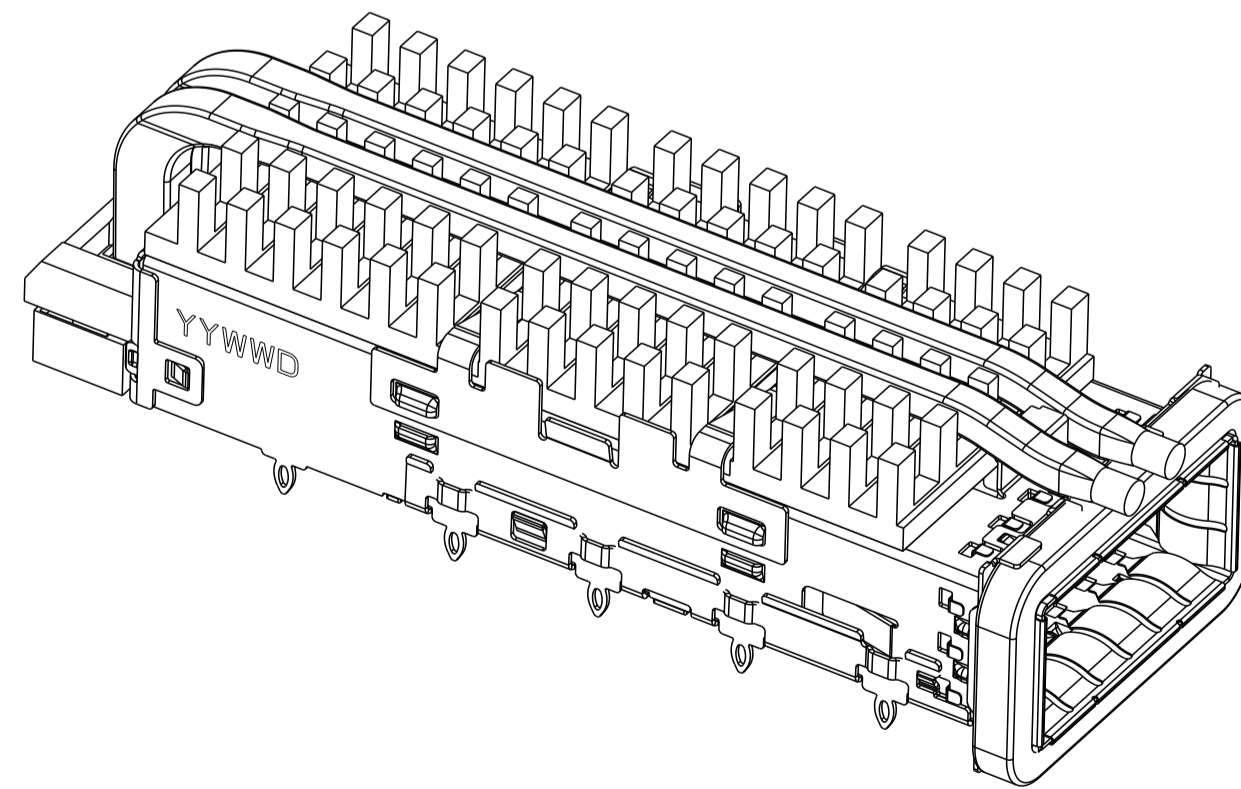


0 REAR LEG
SCALE 4:1

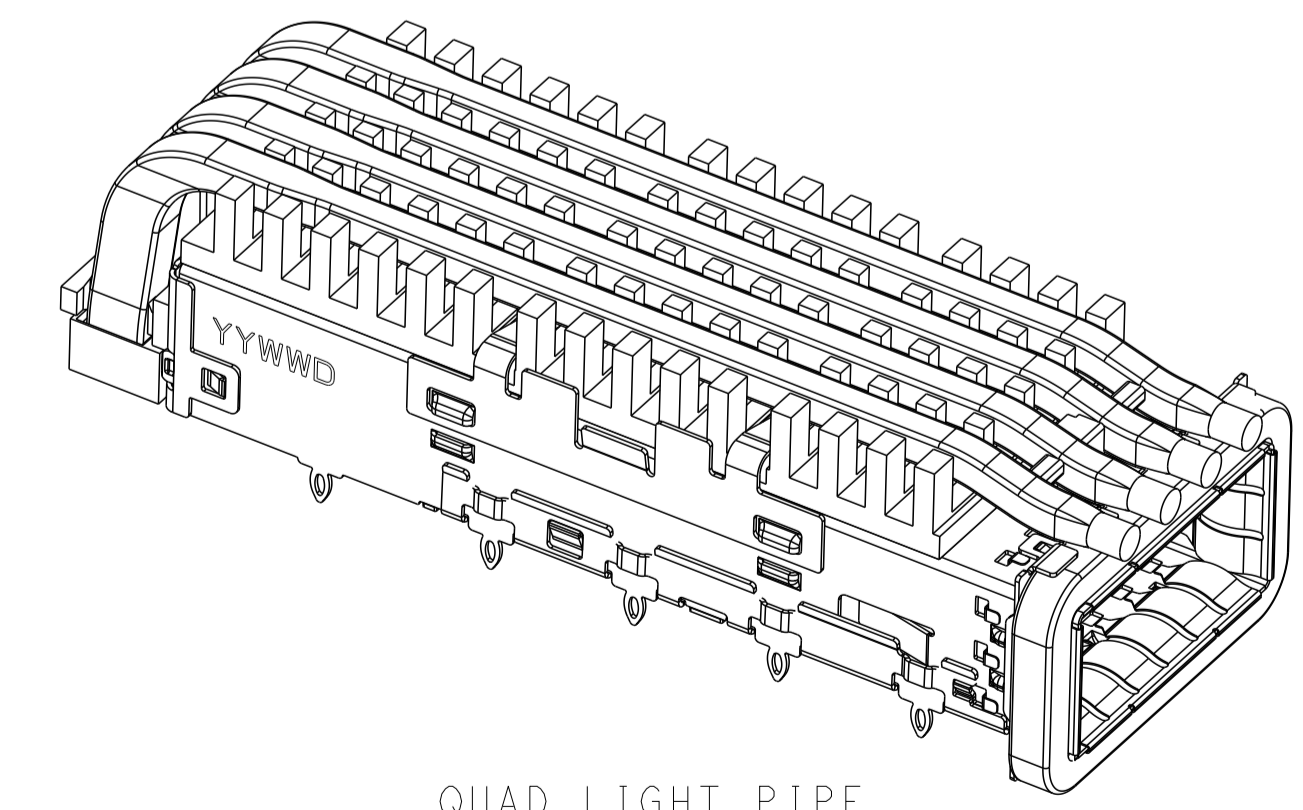
LIGHT PIPE OPTIONS



SINGLE LIGHT PIPE
SCALE 5:2



DUAL LIGHT PIPE
SCALE 5:2




QUAD LIGHT PIPE
SCALE 5:2

THIS DRAWING IS A CONTROLLED DOCUMENT.		DMN: JASON YANG 01APR2014	TE Connectivity
		CHK: SEAN HAN 30DEC2015	
DIMENSIONS:		NAME: CAGE ASSEMBLY, QSFP28 1X1, THRU BEZEL, WITH EMI GASKET HEAT SINK, LIGHT PIPE	
TOLERANCES UNLESS OTHERWISE SPECIFIED:		PRODUCT SPEC: 108-19428	
MATERIAL:		APPLICATION SPEC: 114-32023	
FINISH:		RESTRICTED TO: A100779C=2170754	
		Customer Drawing	
		SCALE: 4:1 SHEET 2 OF 7 REV: B1	

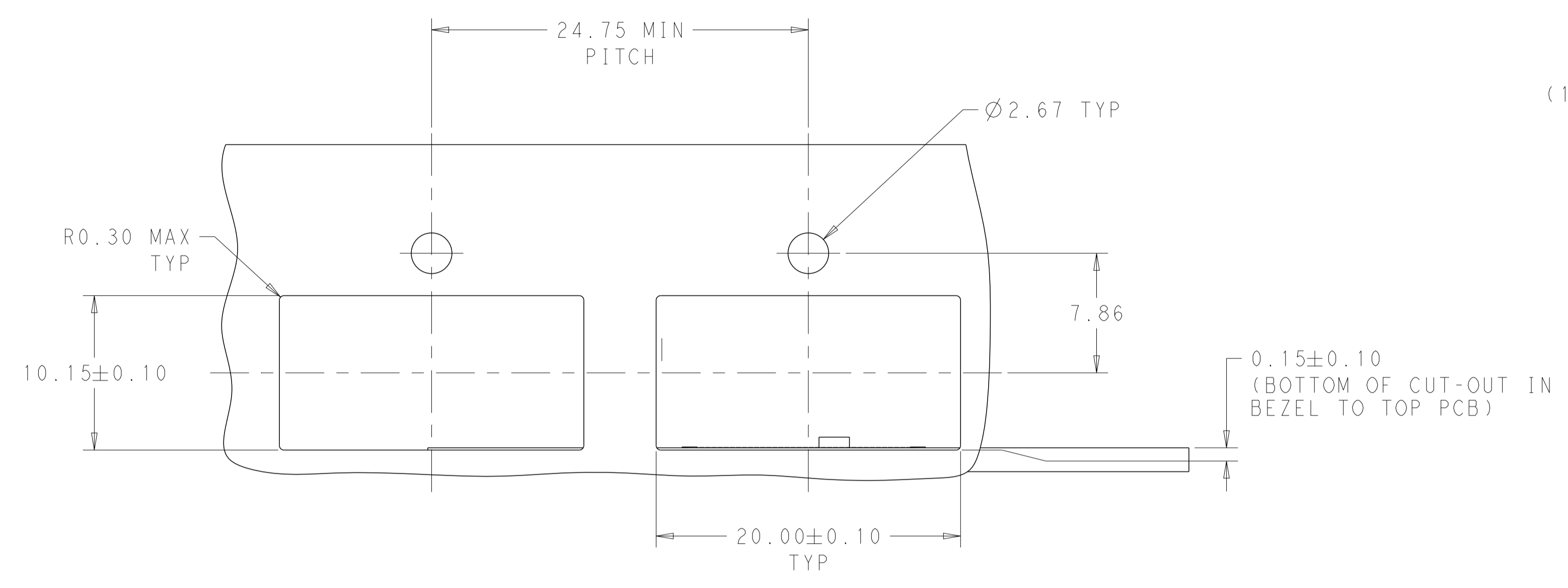
THIS DRAWING IS UNPUBLISHED. RELEASED FOR PUBLICATION
 © COPYRIGHT copyr ight_ d8tr- ALL RIGHTS RESERVED.

LOC	DIST	REVISONS	DATE	DWN	APVD
		DESCRIPTION			
		rev_sym_1666_8H6E111	rev_date16	dwn_16ppr	1
		rev_sym_2rev_desc_2	rev_date22	dwn_20ppr	2
		rev_sym_3rev_desc_3	rev_date3	dwn_30ppr	3
		rev_sym_4rev_desc_4	rev_date4	dwn_40ppr	4

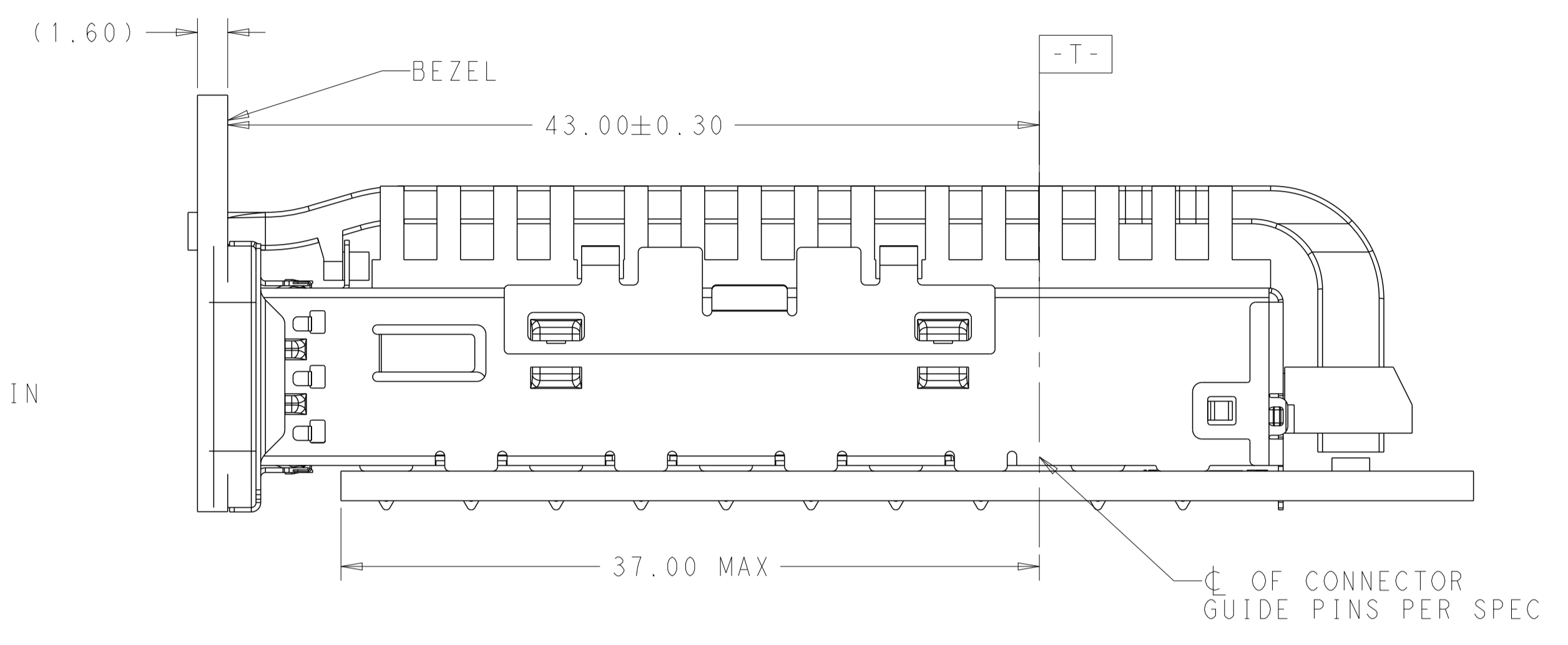
0	16.0	WITHOUT	SINGLE	1-2170754-0
1	23.0	NETWORKING	QUAD	4-2170754-9
1	16.0	SAN	QUAD	4-2170754-8
1	13.7	PCI	QUAD	4-2170754-7
0	23.0	NETWORKING	QUAD	4-2170754-6
0	16.0	SAN	QUAD	4-2170754-5
0	13.7	PCI	QUAD	4-2170754-4
2	23.0	NETWORKING	QUAD	4-2170754-3
2	16.0	SAN	QUAD	4-2170754-2
2	13.7	PCI	QUAD	4-2170754-1
1	23.0	NETWORKING	DUAL	2-2170754-9
1	16.0	SAN	DUAL	2-2170754-8
1	13.7	PCI	DUAL	2-2170754-7
0	23.0	NETWORKING	DUAL	2-2170754-6
0	16.0	SAN	DUAL	2-2170754-5
0	13.7	PCI	DUAL	2-2170754-4
2	23.0	NETWORKING	DUAL	2-2170754-3
2	16.0	SAN	DUAL	2-2170754-2
2	13.7	PCI	DUAL	2-2170754-1
1	23.0	NETWORKING	SINGLE	2170754-9
1	16.0	SAN	SINGLE	2170754-8
1	13.7	PCI	SINGLE	2170754-7
0	23.0	NETWORKING	SINGLE	2170754-6
0	16.0	SAN	SINGLESINGLE	2170754-5
0	13.7	PCI	SINGLE	2170754-4
2	23.0	NETWORKING	SINGLE	2170754-3
2	16.0	SAN	SINGLE	2170754-2
2	13.7	PCI	SINGLE	2170754-1
# REAR PINS	DIM A	APPLICATION (HEAT SINK OPTION)	LIGHT PIPE OPTION	PART NUMBER

THIS DRAWING IS A CONTROLLED DOCUMENT.		DWN: JASON YANG 01APR2014	 TE Connectivity
DIMENSIONS: mm		CHK: SEAN HAN 30DEC2015	
TOLERANCES UNLESS OTHERWISE SPECIFIED: 0 PLC ±0.25 1 PLC ±0.25 2 PLC ±0.25 3 PLC ±0.100 4 PLC ± ANGLES ±° FINISH ±		APVD: -	NAME: CAGE ASSEMBLY, QSFP28 1X1, THRU BEZEL, WITH EMI GASKET HEAT SINK, LIGHT PIPE
MATERIAL: -		PRODUCT SPEC: 108-19428	RESTRICTED TO: -
-		APPLICATION SPEC: 114-32023	SIZE: A1
-		WEIGHT: -	CAGE CODE: 100779
-		Customer Drawing	DRAWING NO: 2170754
-		SCALE: 4:1	SHEET 3 OF 7
-			REV: B1

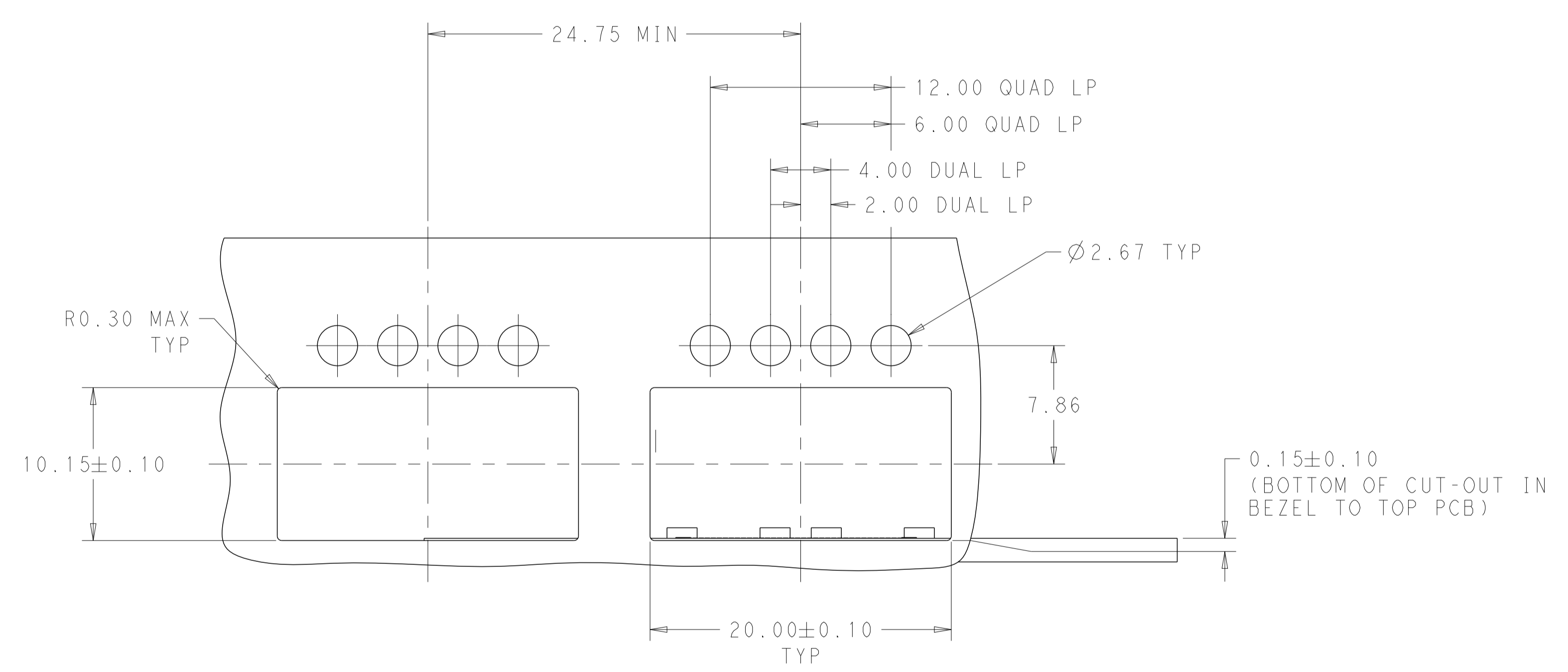
LOC	DIST	REVISIONS			
P	LTR	DESCRIPTION	DATE	DMN	APVD
rev_sym_1	REV_0806E111			rev_defect	dmn_bppr_1
rev_sym_2	rev_desc_2			rev_defect	dmn_bppr_2
rev_sym_3	rev_desc_3			rev_defect	dmn_bppr_3
rev_sym_4	rev_desc_4			rev_defect	dmn_bppr_4



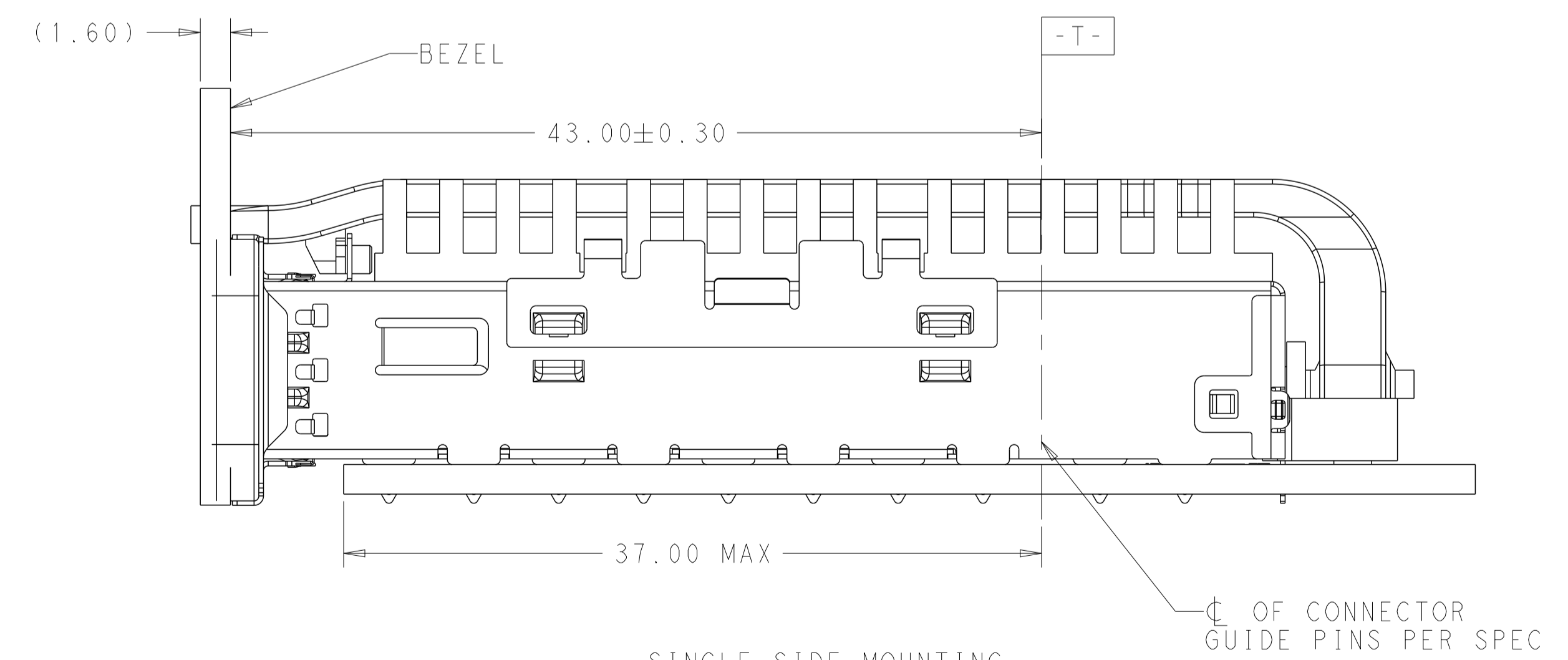
SINGLE LIGHT PIPE TYPE



SINGLE SIDE MOUNTING SCALE 4:1



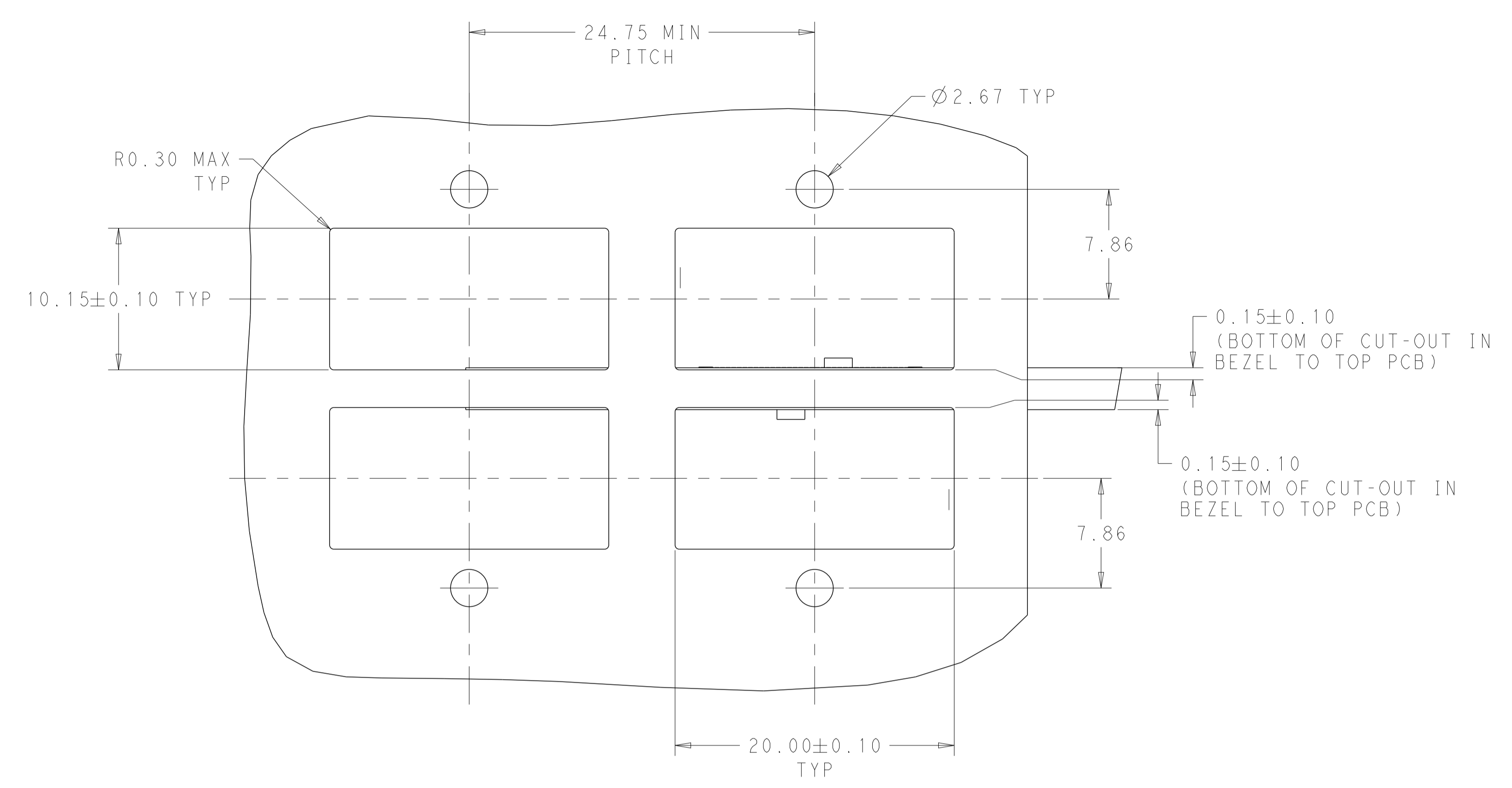
DUAL/QUAD LIGHT PIPE TYPE



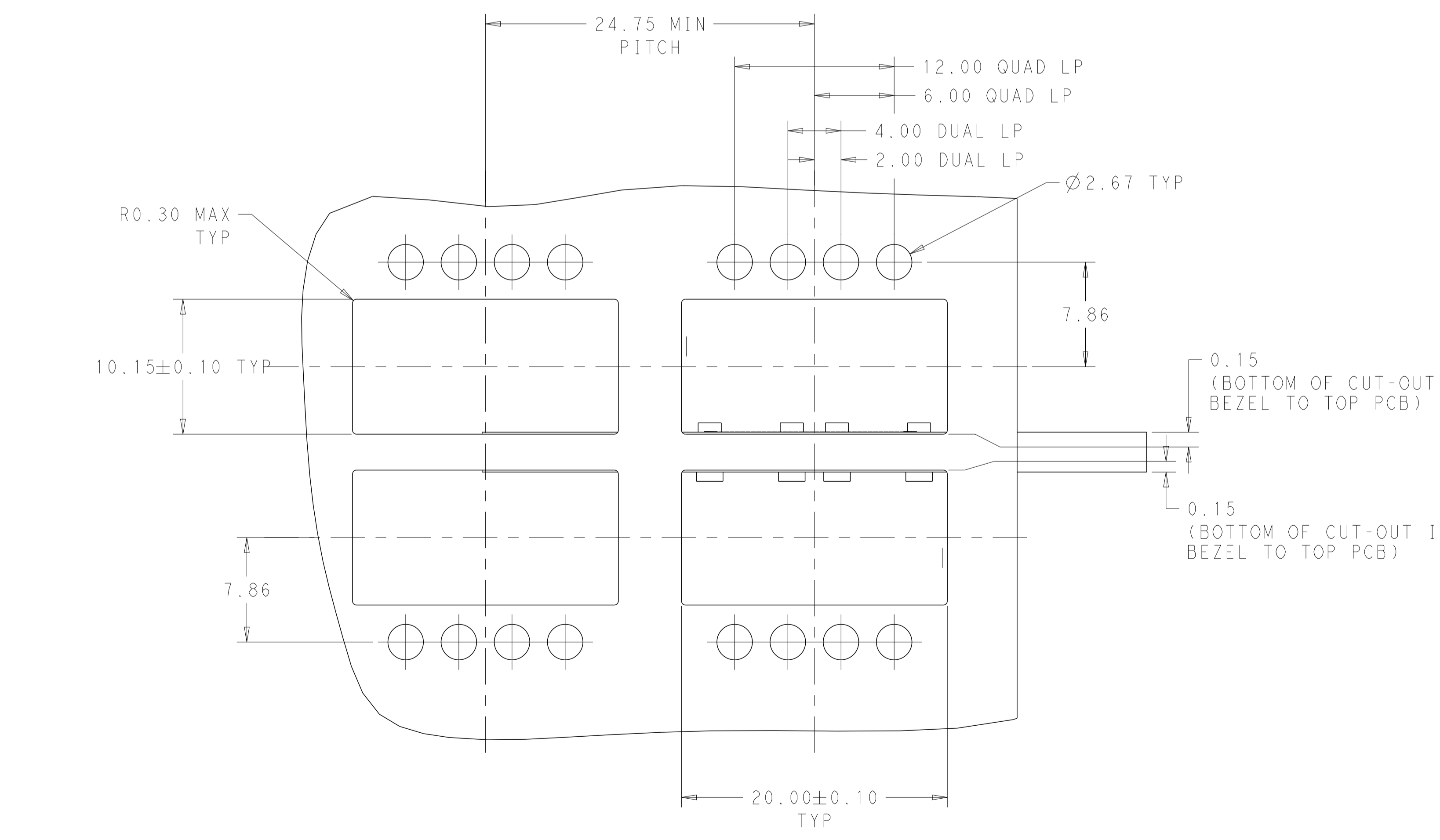
SINGLE SIDE MOUNTING SCALE 4:1

THIS DRAWING IS A CONTROLLED DOCUMENT.		DMN: JASON YANG 01APR2014	 TE Connectivity
DIMENSIONS: mm		CHK: SEAN HAN 30DEC2015	
TOLERANCES UNLESS OTHERWISE SPECIFIED:		APVD: -	NAME: CAGE ASSEMBLY, QSFP28 1X1, THRU BEZEL, WITH EMI GASKET HEAT SINK, LIGHT PIPE
0 PLC	±0.25	PRODUCT SPEC	SIZE: CAGE CODE DRAWING NO
1 PLC	±0.25	108-19428	RESTRICTED TO
2 PLC	±0.20	APPLICATION SPEC	A100779C=2170754
3 PLC	±0.100	114-32023	SCALE: 4:1 SHEET 4 OF 7 REV: B1
4 PLC	±	WEIGHT: -	
ANGLES	±	Customer Drawing	
FINISH	-		

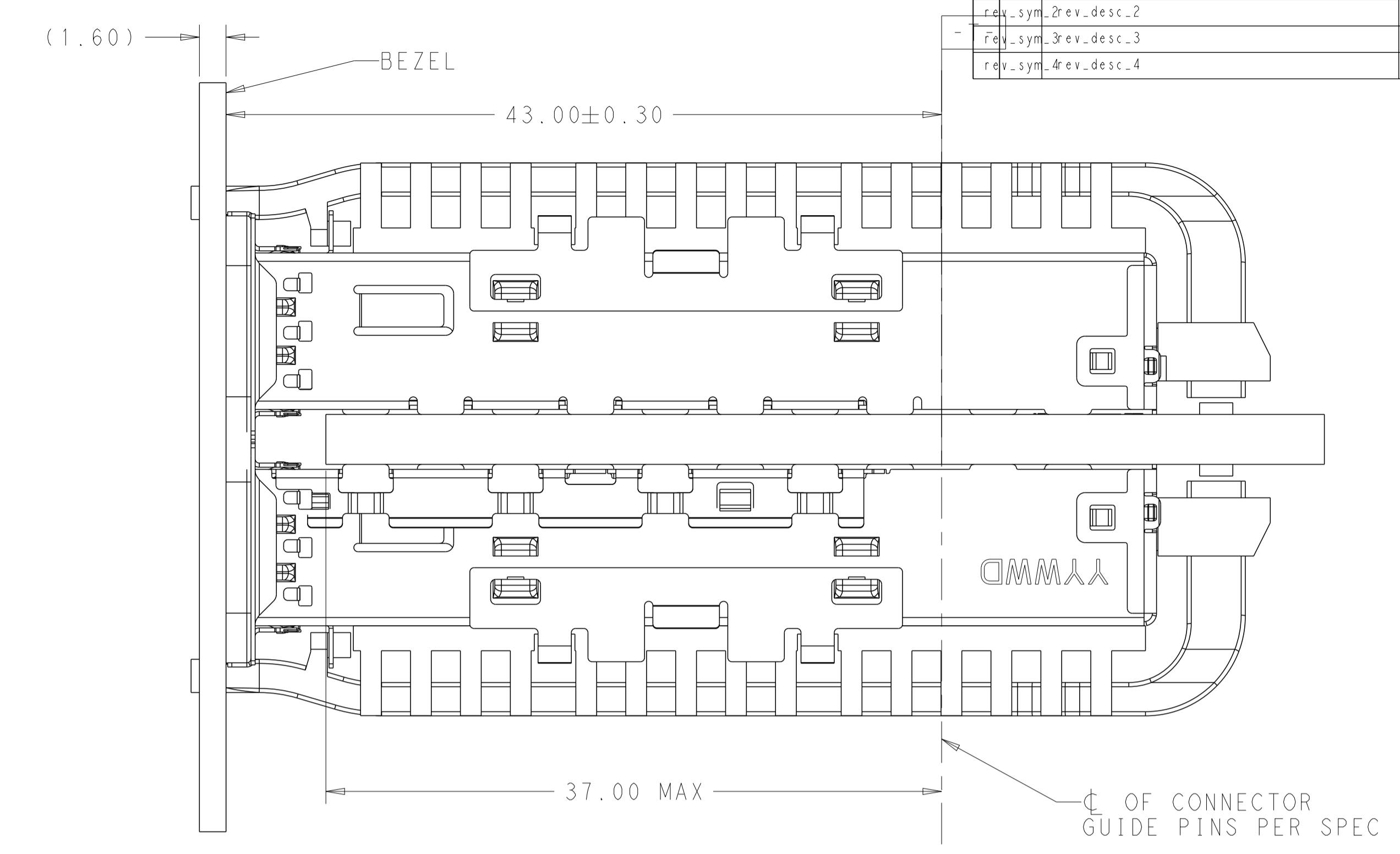
REV	DATE	DESCRIPTION	BY	CHK	APPV
1					
2					
3					
4					



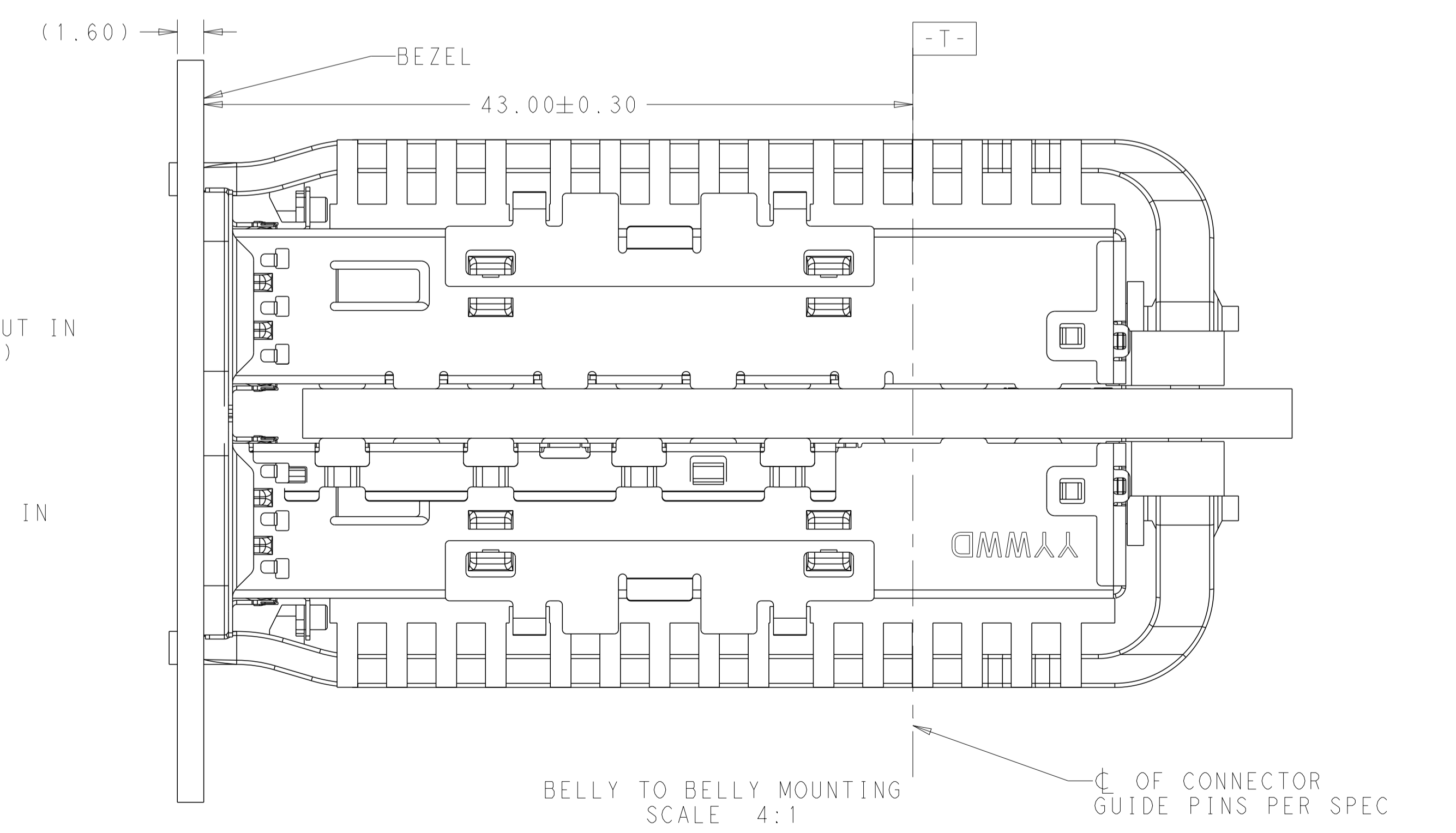
SINGLE LIGHT PIPE TYPE



DUAL/QUAD LIGHT PIPE TYPE



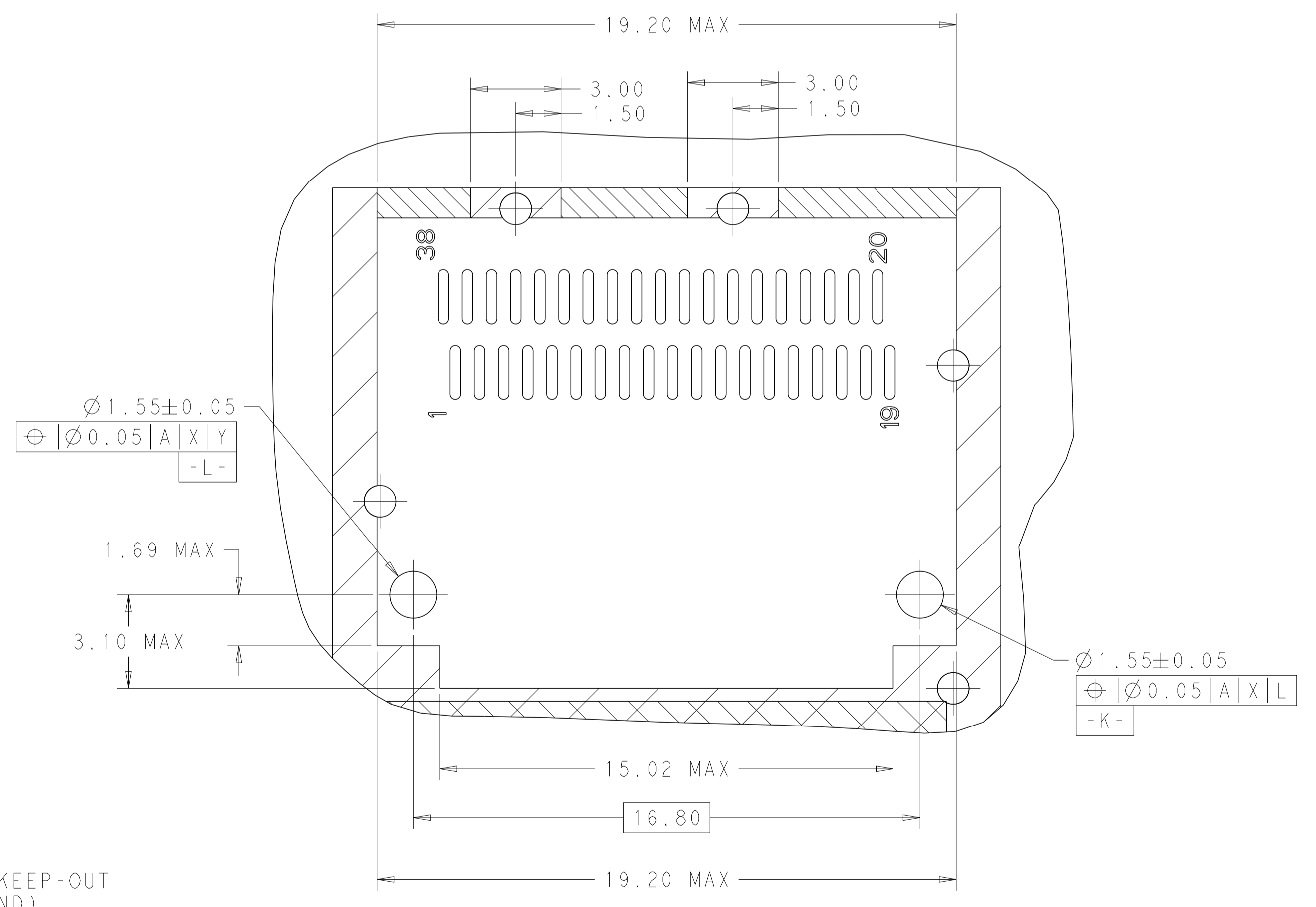
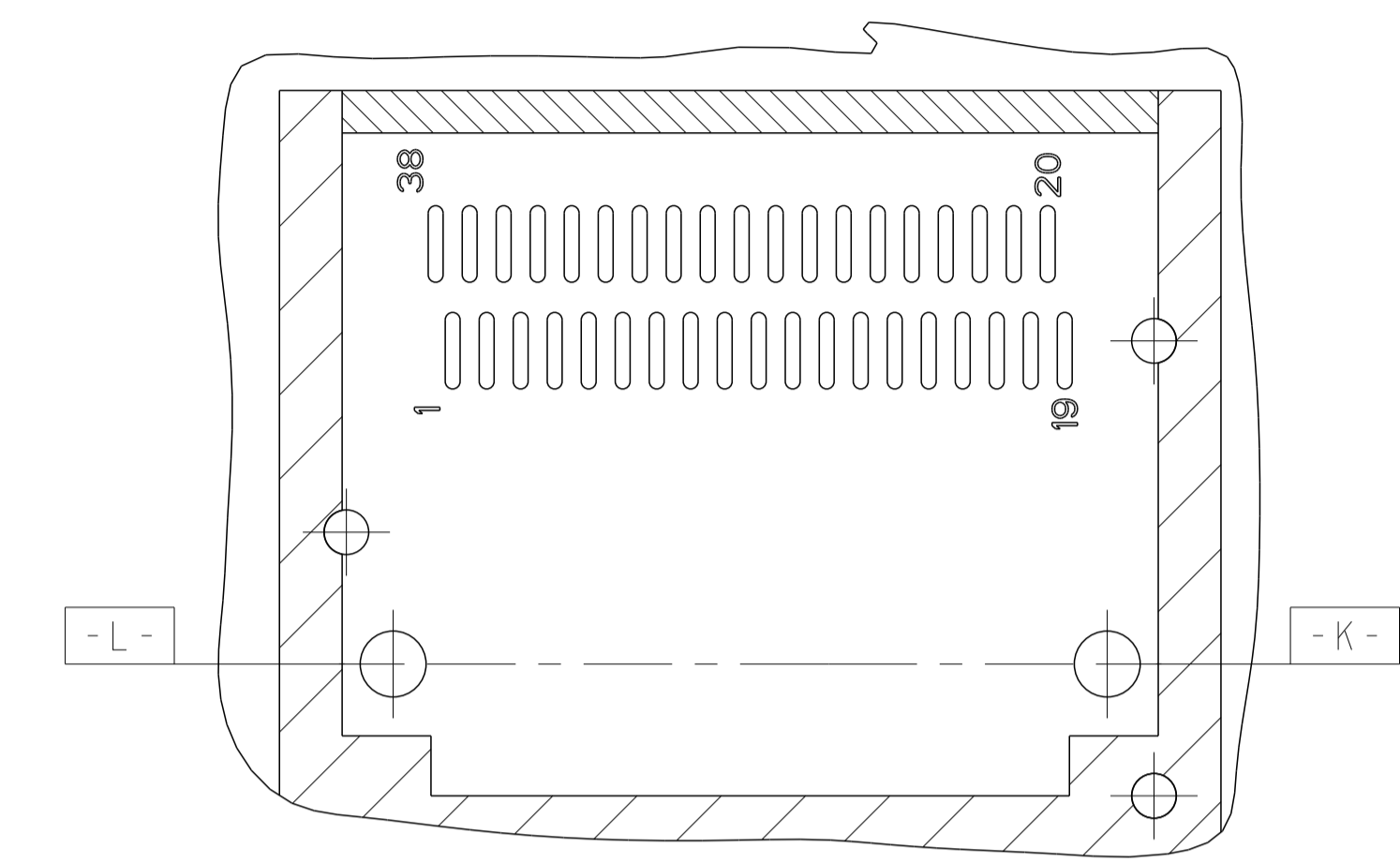
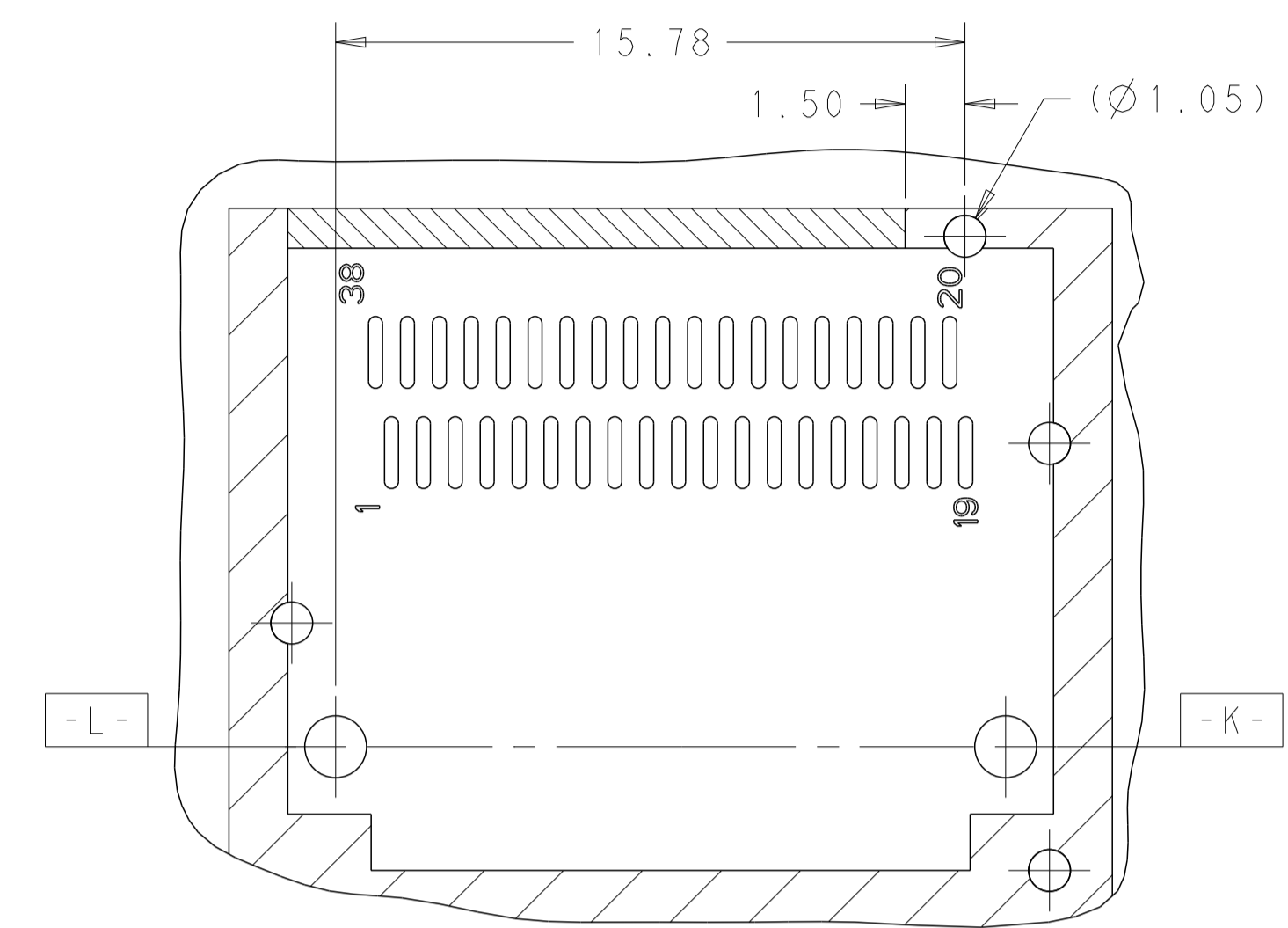
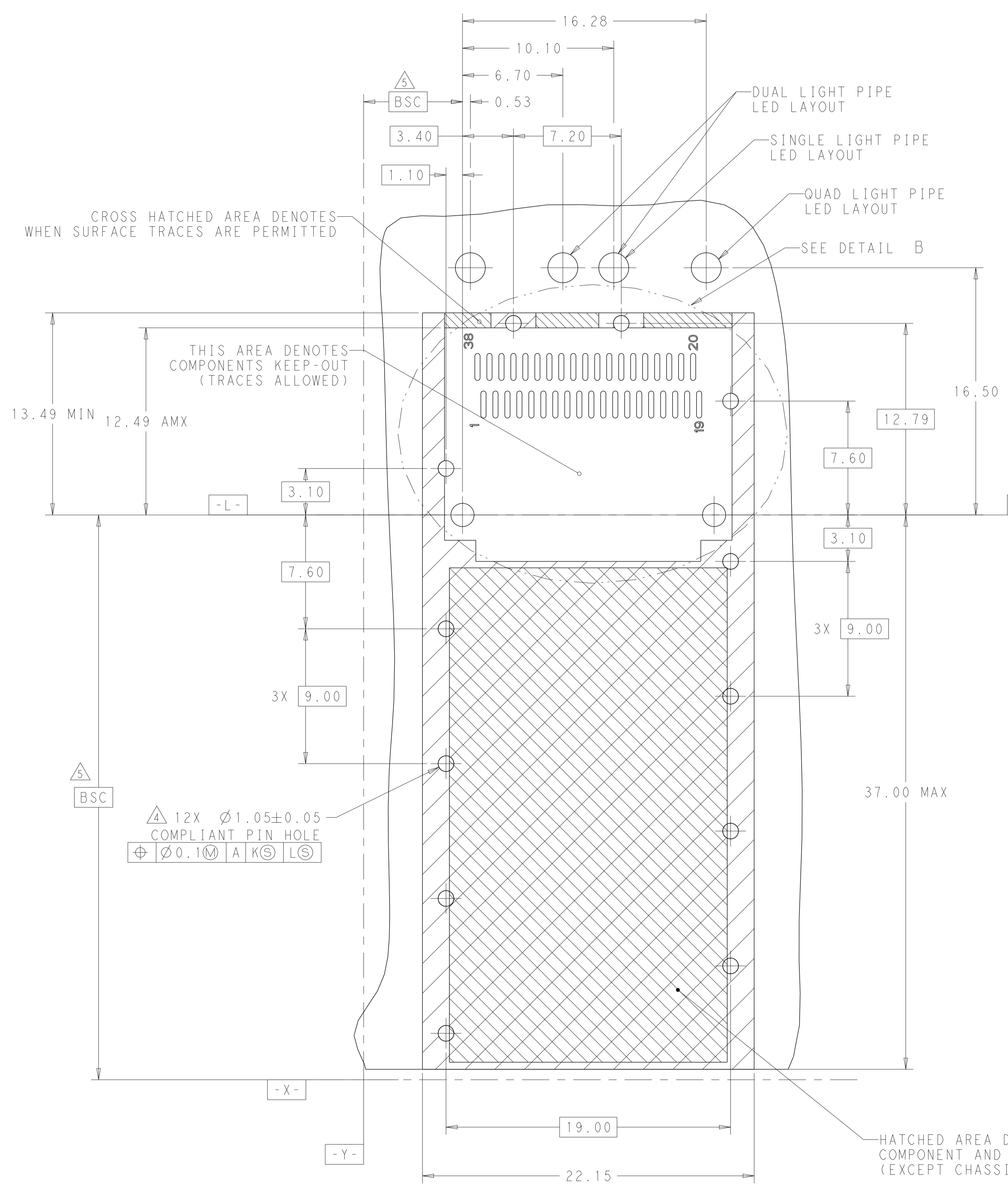
BELLY TO BELLY MOUNTING SCALE 4:1



BELLY TO BELLY MOUNTING SCALE 4:1

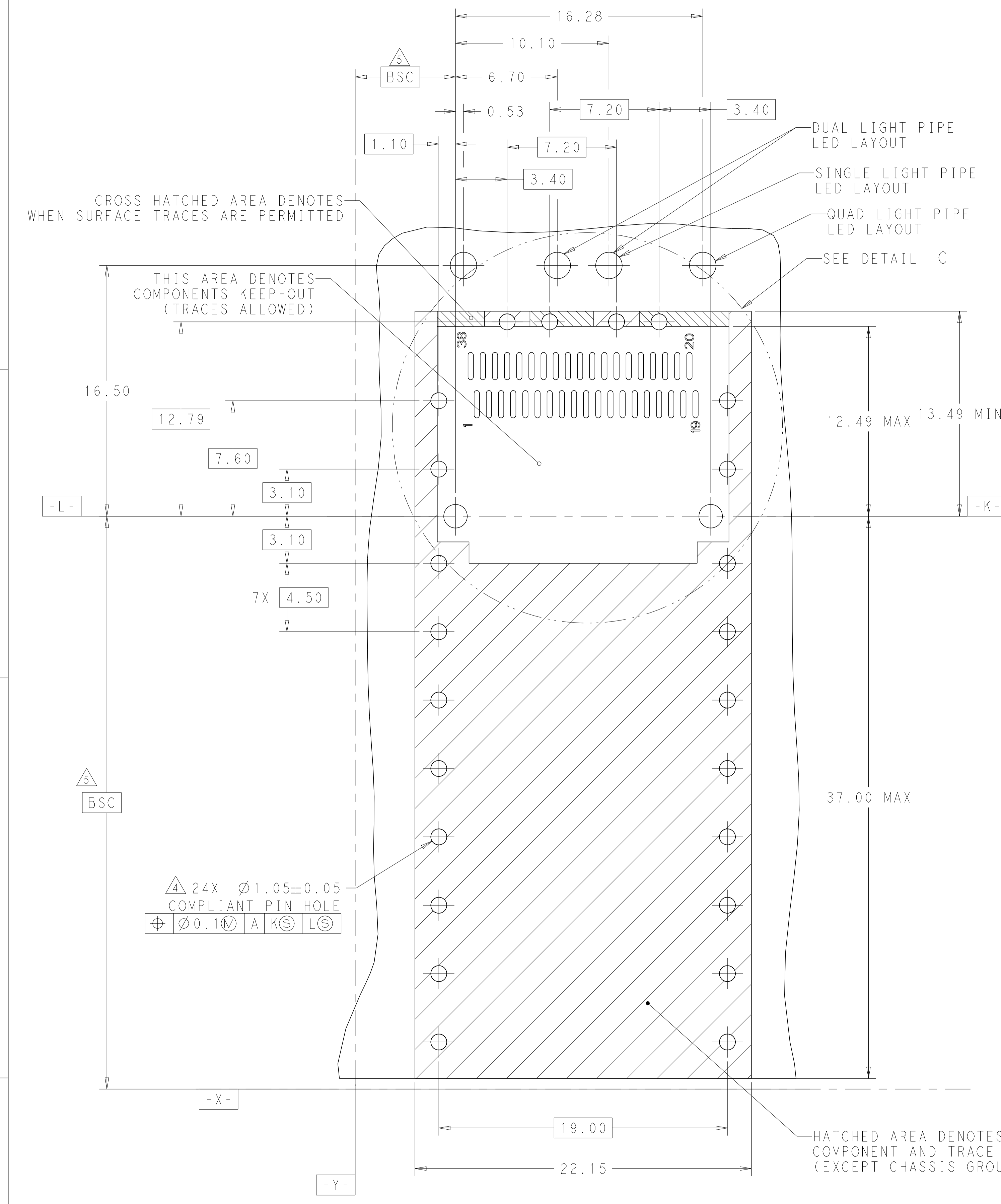
THIS DRAWING IS A CONTROLLED DOCUMENT.		OWN: JASON YANG 01APR2014	TE Connectivity
DIMENSIONS: mm		CHK: SEAN HAN 30DEC2015	
TOLERANCES UNLESS OTHERWISE SPECIFIED:		APVD: -	NAME: CAGE ASSEMBLY, QSP28 1X1, THRU BEZEL, WITH EMI GASKET HEAT SINK, LIGHT PIPE
0 PLC	±0.25	PRODUCT SPEC	108-19428
1 PLC	±0.25	APPLICATION SPEC	114-32023
2 PLC	±0.25	SIZE	A100779
3 PLC	±0.25	CAGE CODE	C=2170754
4 PLC	±0.100	DRAWING NO	2170754
ANGLES	±°	RESTRICTED TO	-
MATERIAL	-	WEIGHT	-
FINISH	-	Customer Drawing	SCALE 4:1 SHEET 5 OF 7 REV B1

LOC	DIST	REV	DATE	BY	APPV
		1			
		2			
		3			
		4			

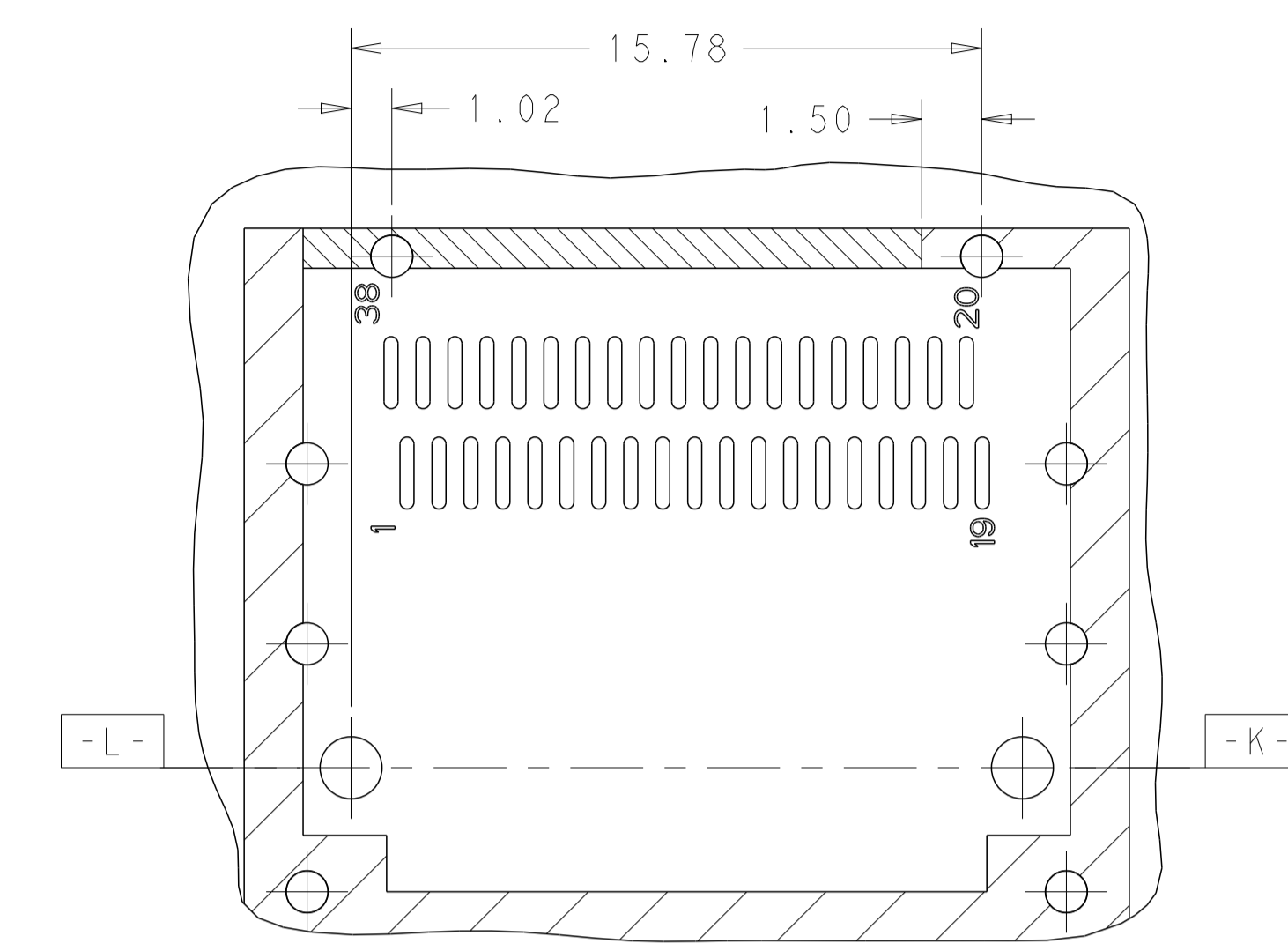


THIS DRAWING IS A CONTROLLED DOCUMENT.		OWN: JASON YANG 01APR2014	 TE Connectivity
DIMENSIONS: mm		CHK: SEAN HAN 30DEC2015	
TOLERANCES UNLESS OTHERWISE SPECIFIED:		APVD:	NAME: CAGE ASSEMBLY, QSFP28 1X1, THRU BEZEL, WITH EMI GASKET HEAT SINK, LIGHT PIPE
0 PLC	±0.25	PRODUCT SPEC	108-19428
1 PLC	±0.25	APPLICATION SPEC	114-32023
2 PLC	±0.20	WEIGHT	
3 PLC	±0.100	Customer Drawing	
4 PLC	±		
ANGLES	±		
FINISH			

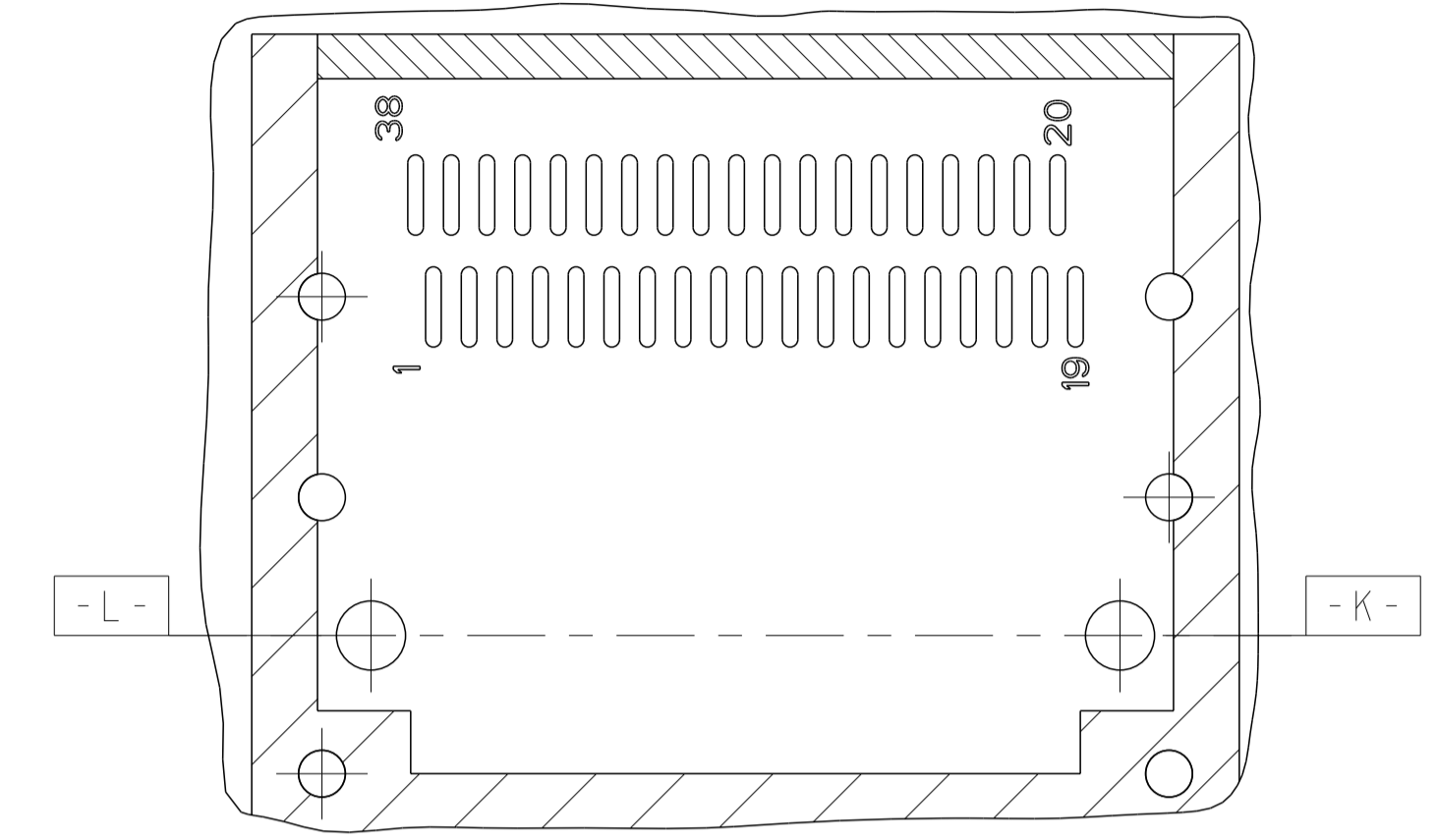
LOC	DIST	REVISIONS				
		REV. LTR	DESCRIPTION	DATE	DMN	APVD
		rev_sym_186E_8H6E111			rev_defect	dmn_bppr
		rev_sym_2rev_desc_2			rev_defect	dmn_bppr
		rev_sym_3rev_desc_3			rev_defect	dmn_bppr
		rev_sym_4rev_desc_4			rev_defect	dmn_bppr



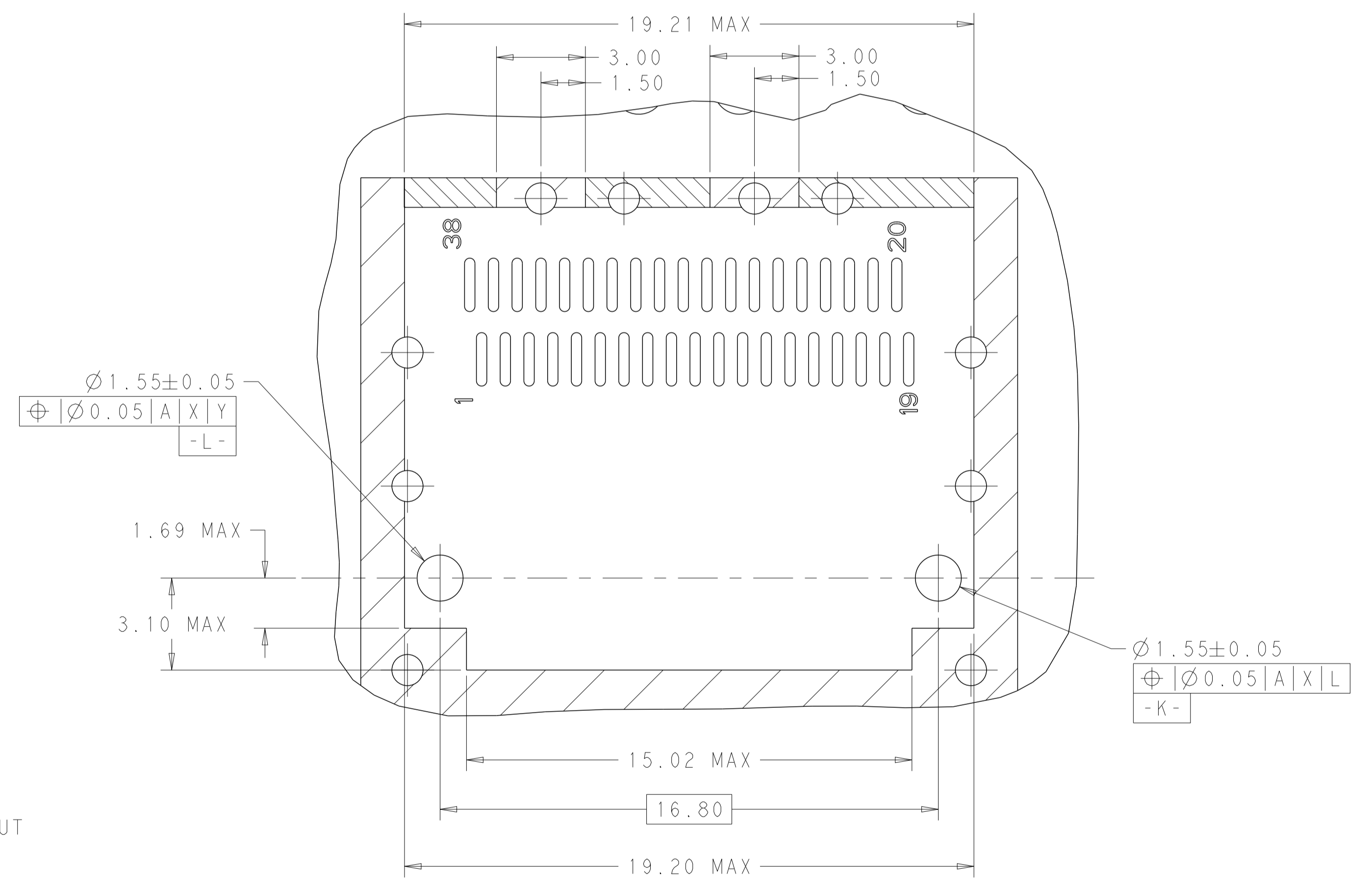
RECOMMENDED PCB LAYOUT
 BELLY TO BELLY TYPE OF 2 REAR HOLES OF LEGS
 PCB TOLERANCE: ±0.05
 SCALE 6:1



RECOMMENDED PCB LAYOUT
 BELLY TO BELLY TYPE OF 1 REAR HOLES OF LEGS
 PCB TOLERANCE: ±0.05
 SCALE 6:1



RECOMMENDED PCB LAYOUT
 BELLY TO BELLY TYPE OF 0 REAR HOLES OF LEGS
 PCB TOLERANCE: ±0.05
 SCALE 6:1



DETAIL C
 SCALE 8:1

THIS DRAWING IS A CONTROLLED DOCUMENT.		DMN: JASON YANG 01APR2014	TE Connectivity
DIMENSIONS: mm		CHK: SEAN HAN 30DEC2015	
TOLERANCES UNLESS OTHERWISE SPECIFIED:		APVD:	NAME: CAGE ASSEMBLY, QSFP28 1X1, THRU BEZEL, WITH EMI GASKET HEAT SINK, LIGHT PIPE
0 PLC ±0.25	1 PLC ±0.25	PRODUCT SPEC: 108-19428	SIZE: A100779
2 PLC ±0.20	3 PLC ±0.100	APPLICATION SPEC: 114-32023	DRAWING NO: C=2170754
4 PLC ±	ANGLES ±	WEIGHT:	RESTRICTED TO: -
MATERIAL:	FINISH:	Customer Drawing	SCALE: 4:1 SHEET 7 OF 7 REV: B1