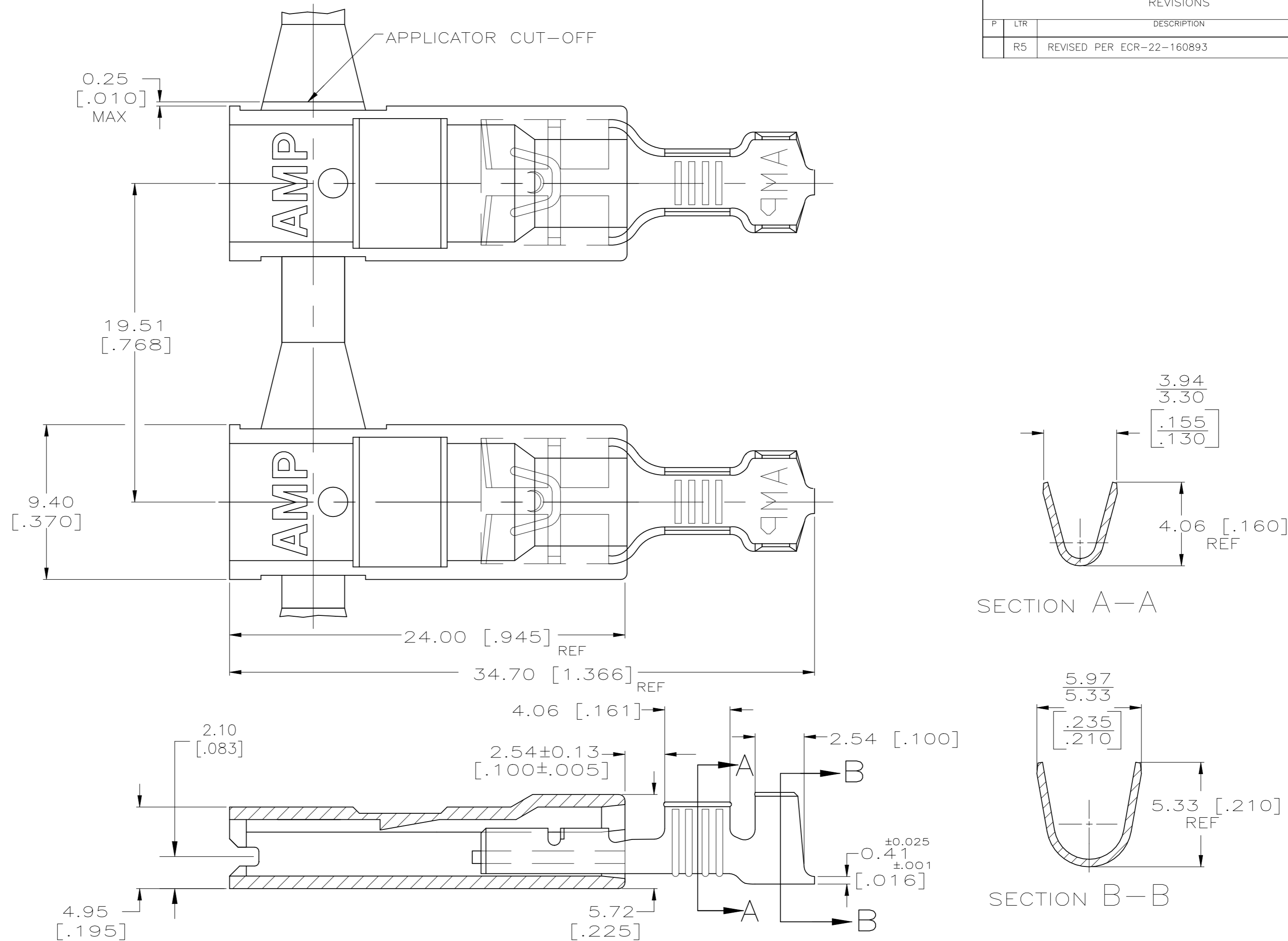


REVISIONS					
P	LTR	DESCRIPTION	DATE	DWN	APVD
R5		REVISED PER ECR-22-160893	14DEC2022	DB	BW



1 LOW-INSERTION FASTON TERMINALS, BASE P/N 63306, ARE USED IN THIS PRODUCT.

2 TIN PLATE PER MIL-T-10727.

3 MATERIAL: HOUSING - 6/6 NYLON
TERMINAL - BRASS

4 FINISH: HOUSING - COLOR, NATURAL
TERMINAL - SEE TABLE

OBSOLETE	BULK	2 TIN PLATE	2.79-4.32 [.110-.170] DIA	0.8-2.0 mm ² [18-14]	0.813 [.032]	5-520963-2
OBSOLETE	BULK	PLAIN				5-520963-1
	STANDARD	2 TIN PLATE				520963-2
	STANDARD	PLAIN				520963-1
	PACKAGING	TERMINAL FINISH	INSULATION RANGE	WIRE SIZE	MATING TAB THK ± 0.025 [±.001]	PART NO.

THIS DRAWING IS A CONTROLLED DOCUMENT.			DWN	JR RUTH	6/27/89	 TE Connectivity ASSEMBLY, ULTRA-POD, RECEPTACLE, 6.35 [.250] SERIES
DIMENSIONS:			CHK	MS FEHER	6/27/89	
INCHES			APVD	R KUZO	6/27/89	
			PRODUCT SPEC	108-1285		
TOLERANCES UNLESS OTHERWISE SPECIFIED:			APPLICATION SPEC	114-2124		SIZE
0 PLC ± -			WEIGHT	0.000000		CAGE CODE
1 PLC ± -			CUSTOMER DRAWING			DRAWING NO
2 PLC ± -			SCALE	5:1		SHEET
3 PLC ± 0.25 [.010]						1 of 1
4 PLC ± -						REV
ANGLES ± -						R5
FINISH						
3						
4						