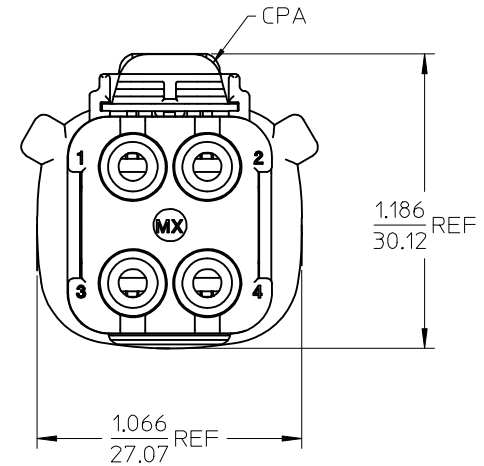
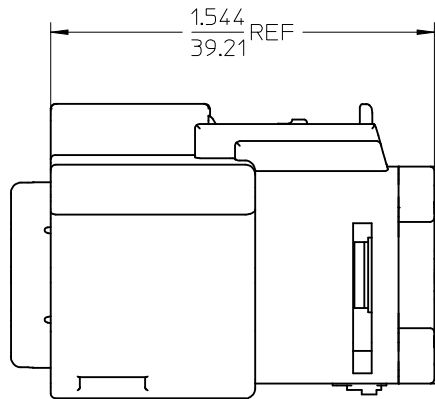
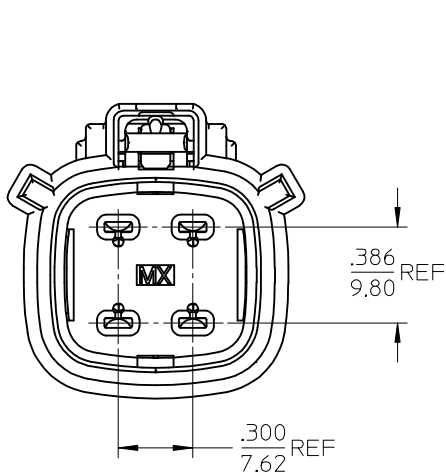
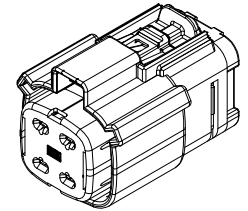


10	9	8	7
MATERIAL NUMBER	UL WIRE AWG	CPA	HOUSING COLOR
194320001	10-12	YES	BLACK
194320002	8	YES	BLACK
194320003	10-12	NO	BLACK
194320004	8	NO	BLACK
194320027	10-12	YES	GREEN
194320028	10-12	NO	GREEN
194320029	10-12	YES	GRAY
194320030	10-12	NO	GRAY

(A)



NOTES:

1. ASSEMBLY PACKAGED PER PK-19432-001
2. USE CONNECTOR WITH FEMALE CRIMP TERMINAL: SERIES 19434.

ADD COLOR OPTIONS EC NO: IFC2017-0429 DRAWN: BRUPERT 2016/11/08 CHKD: JFURPHY 2016/11/21 APPR: JFURPHY 2016/11/21	QUALITY SYMBOLS	GENERAL TOLERANCES (UNLESS SPECIFIED)	DIMENSION STYLE	SCALE	DESIGN UNITS	THIRD ANGLE PROJECTION
	▼=0 ▽=0	mm      INCH 4 PLACES ± --- ± --- 3 PLACES ± --- ± .015 2 PLACES ± 0.38 ± --- 1 PLACE ± --- ± ---	IN/MM	2:1	INCH	
	DESCRIPTION	ANGULAR ± 1 °	DRAWN BY DATE	TITLE		
	REV	DRAFT WHERE APPLICABLE MUST REMAIN WITHIN DIMENSIONS	B. RUPERT 04/09/29	MX150L 4 WAY RECEPTACLE ASSEMBLY		
		CHECKED BY DATE	MATERIAL NO.		DOCUMENT NO.	SHEET NO.
		JPAWLICK 04/09/29	SEE CHART		SD-19432-002	1 OF 1
		APPROVED BY DATE	THIS DRAWING CONTAINS INFORMATION THAT IS PROPRIETARY TO MOLEX INCORPORATED AND SHOULD NOT BE USED WITHOUT WRITTEN PERMISSION			
		R. DEROSS 04/09/29				