

PART NUMBER: EPA160025-P5-SZ

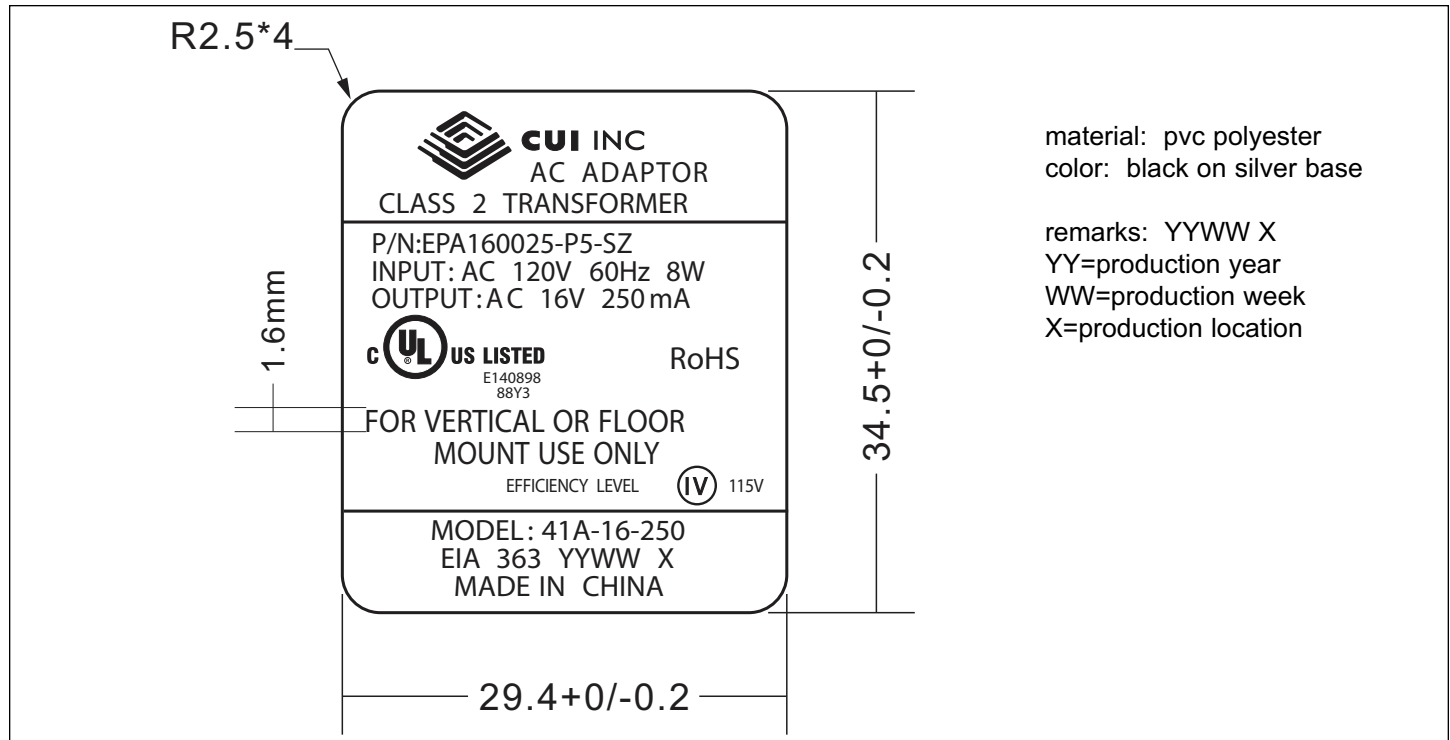
DESCRIPTION: linear adapter

SPECIFICATIONS

output voltage	16 V ac at 250 mA	
rated input voltage	120 V ac	
primary rated voltage	120 V ac 60 Hz 8 W	
primary exciting current	40 mA rms max.	
secondary rated voltage & current	no load voltage (max.)	19.1 V
	full load voltage (250 mA)	16 V \pm 5%
temperature rise of primary winding (full load)	70°C max. using resistance method	
insulation resistance	\geq 100 M Ohm at 500 Vdc	
HI-POT test	primary to secondary	1240 V ac at 2 mA for 1 minute
	primary to secondary	1600 V ac at 2 mA for 1 second
	primary winding to secondary winding	1600 V ac at 2 mA for 1 second
	primary winding to core	1600 V ac at 2 mA for 1 second
	secondary winding to core	750 V ac at 2 mA for 1 second
safety standard	UL/cUL	
weight	218 g	
RoHS compliant	yes	
test conditions	ambient temp	40 \pm 2°C
	humidity	90~95% 96 hours at Full Load
adapter color	case	black
	cord	black
	plug top	black (insulation chip)

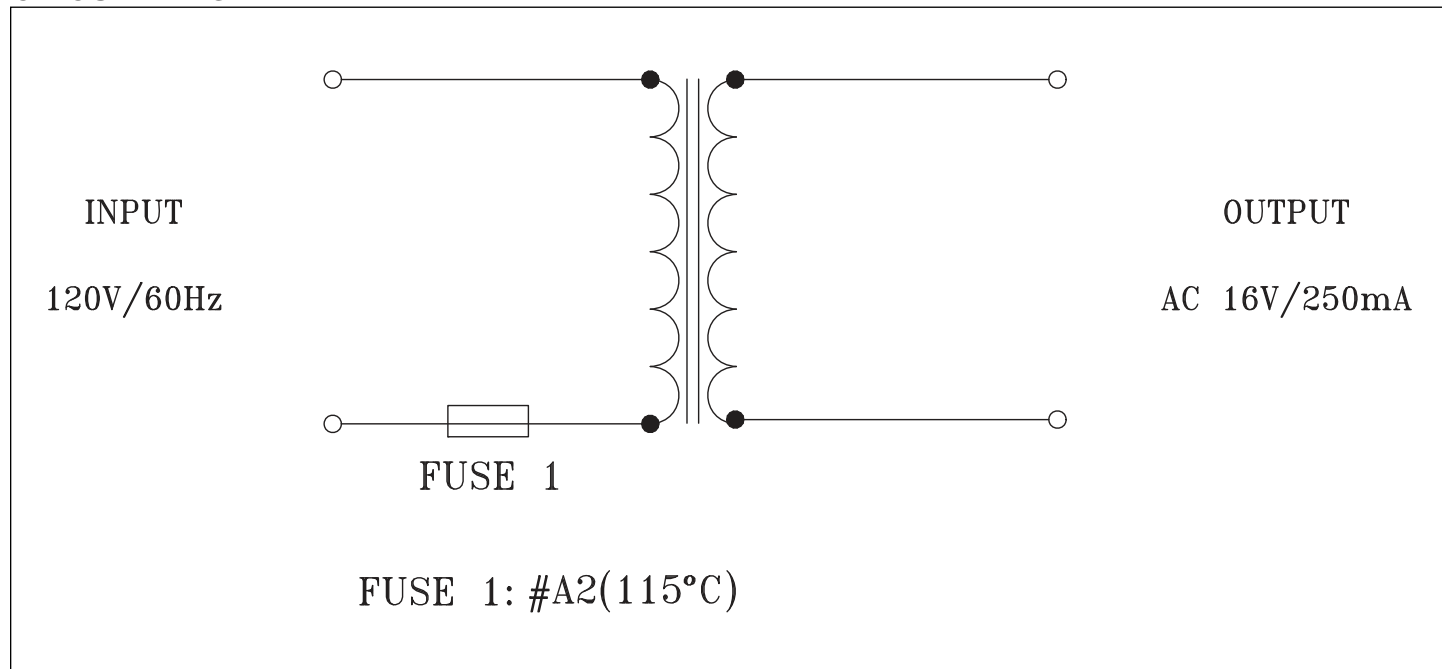
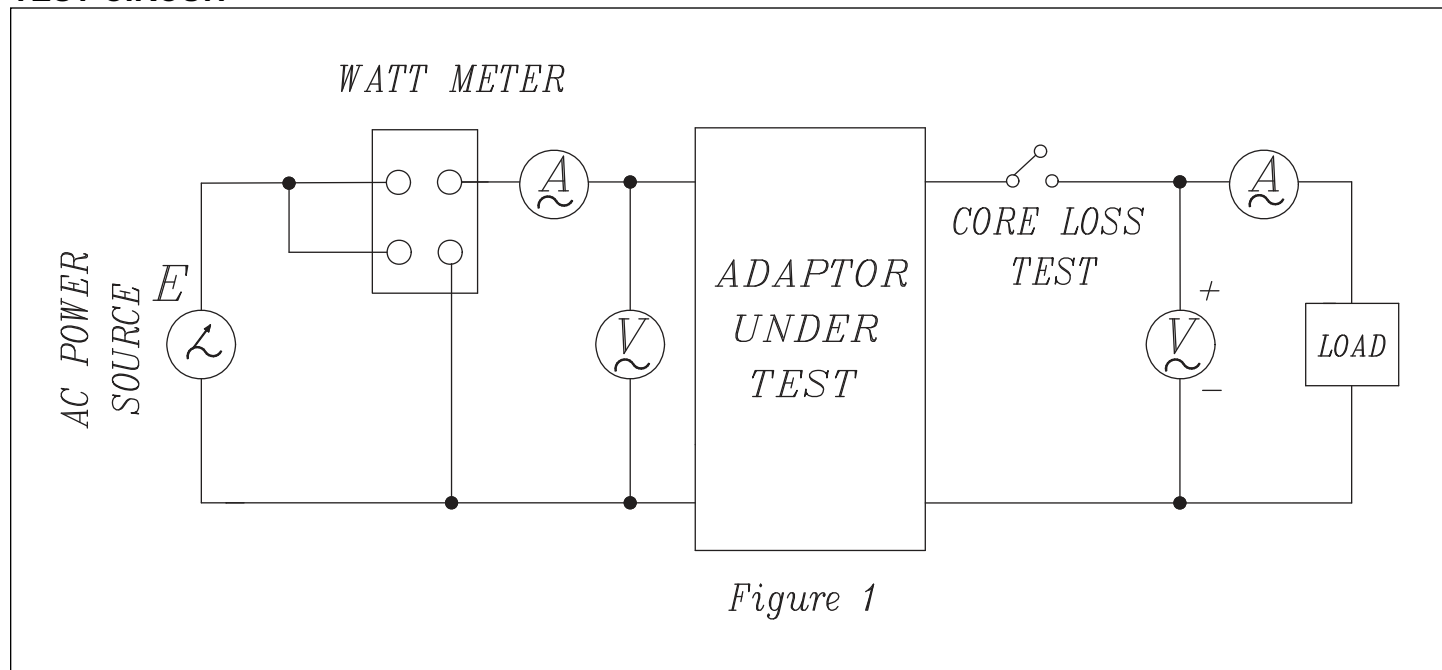
PART NUMBER: EPA160025-P5-SZ

DESCRIPTION: linear adapter

LABEL


PART NUMBER: EPA160025-P5-SZ

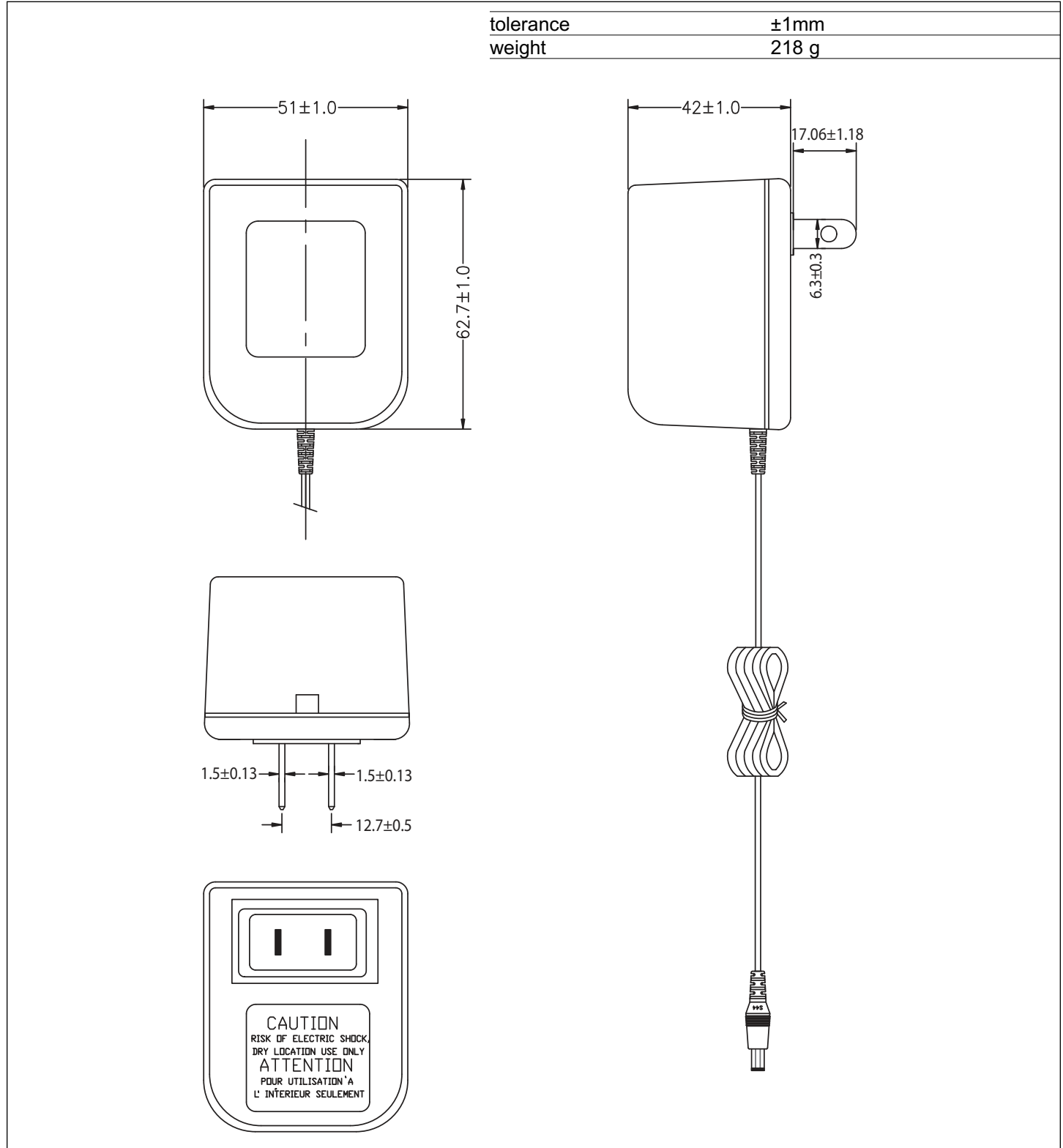
DESCRIPTION: linear adapter

CIRCUIT DIAGRAM

TEST CIRCUIT


PART NUMBER: EPA160025-P5-SZ

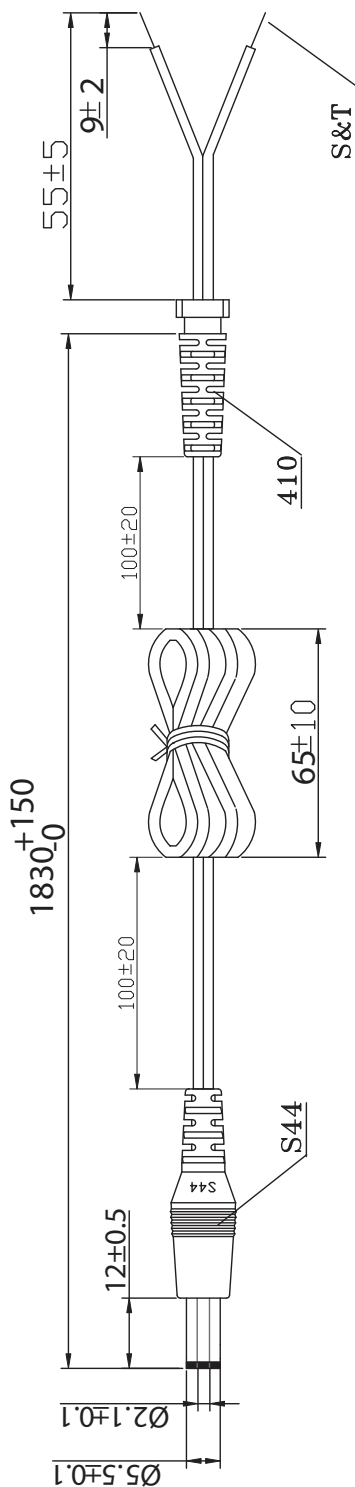
DESCRIPTION: linear adapter

MECHANICAL DRAWING



PART NUMBER: EPA160025-P5-SZ

DESCRIPTION: linear adapter

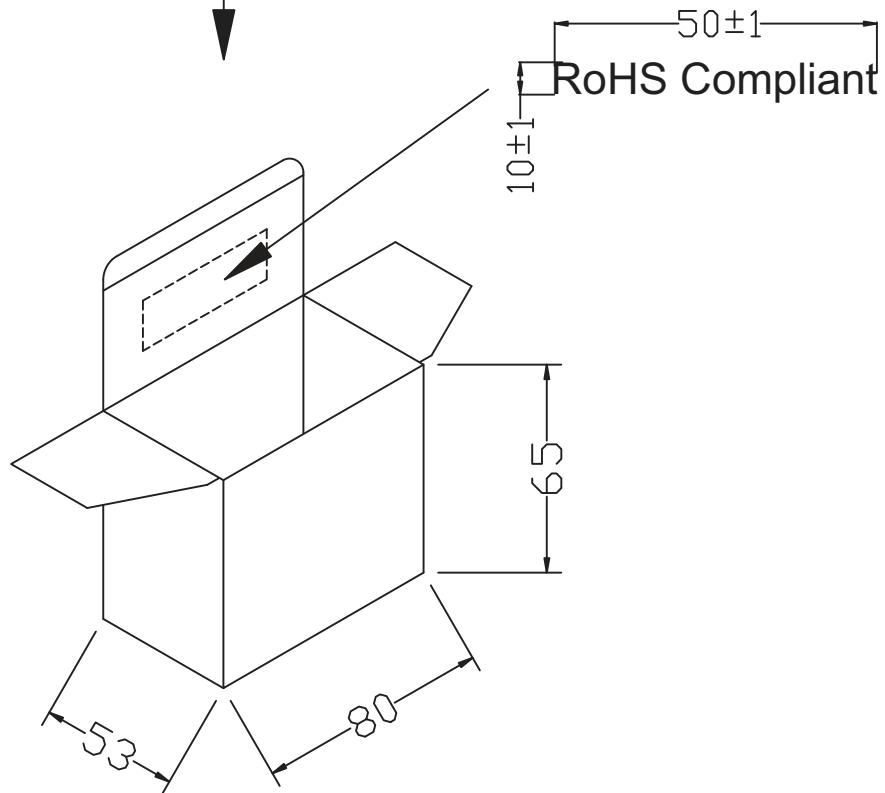
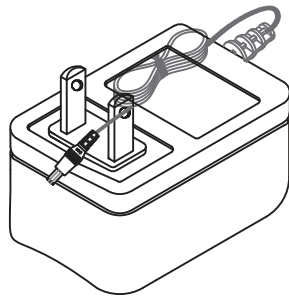
DC CORD


#24AWG X2C UL2468 HAVE ON WORD WIRE IN OUTER, NO WORD WIRE IN INNER

#24AWG X2C UL2468

 WIRE OD: $\varnothing 1.5 \times 3.0$

Parameter request	
VIBRATION TEST	a. $\pm 60^\circ$
	b. WEIGHT 200g
	c. 40 ROUND/MINUTE
	d. OVER 1000 COUNT MIN

PART NUMBER: EPA160025-P5-SZ**DESCRIPTION:** linear adapter**INDIVIDUAL PACKAGING**tolerance: ± 1 

PART NUMBER: EPA160025-P5-SZ**DESCRIPTION:** linear adapter**PACKAGING**

tolerance: +7/-0

OUTSIDE CARTON:A=B(6mm)

INSIDE CARTON:B3B(3mm)

CARTON SIZE: 350X345X190mm

Q'TY: 60pcs(20x3x1)

