

TABLE OF CONTENTS	
SHEET NO.	SHEET DESCRIPTION
1	NOTES AND BOM
2	CONFIGURATIONS
3-4	KEY CONFIGURATIONS
5	RECEPTACLE CONNECTOR ASSEMBLY
6	BACKSHELL NOTES
7	BACKSHELL
8	BACKSHELL CONFIGURATIONS

NOTES: VALID UNLESS OTHERWISE SPECIFIED

1. GENERAL:
a. APPLICATION SPECIFICATION SEE: AS-33472-100
-CONTAINS: PRODUCT INTRODUCTION, PRODUCT SUMMARY, CONNECTOR ASSEMBLY, PACKAGING INFORMATION, CONNECTOR MATING, SERVICE INSTRUCTIONS, ELECTRICAL CONTINUITY CHECKING, CRIMPING, AND TROUBLESHOOTING.
-DESIGNED TO MATE WITH DEVICE OR CONNECTOR AS SPECIFIED IN THE MATING INTERFACE/CONNECTOR DRAWINGS CHART.
*DENOTES DRAWINGS THAT CAN BE ACCESSED AT <<http://ewcap.uscarteams.org/>>.
-ASSEMBLY SHIPPED WITH PLR IN PRE-LOCK POSITION (SEE PLR PRE-LOCK VIEW SHEET 5).

b. PRODUCT SPECIFICATION SEE:
-STANDARD CONFIGURATION: PS-33471-000
-UL V0 CONFIGURATION: PS-160105-0001
CONTAINS: PRODUCT INTRODUCTION, PRODUCT SUMMARY, RATINGS (CURRENT, TEMPERATURE, SEALING, AND FLAMMABILITY), TERMINALS, WIRE DIAMETER RANGE, PRODUCT VALIDATION, AND PRODUCT DEVIATIONS.

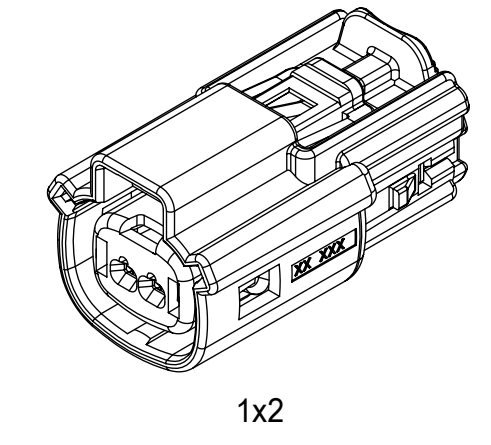
c. PACKAGING SPECIFICATION PER MOLEX DRAWING: SEE PACKAGING CHART
d. PARTS MUST BE IN COMPLIANCE TO MOLEX CHEMICAL SUBSTANCES FOR PRODUCTS AND PACKAGING SPECIFICATION: QEHS-699000-301
e. DATA MUST BE SUBMITTED UNDER THE MOLEX PART NUMBER TO IMDS (COMPANY ID#13255)

2. DESIGN - MATERIALS:
a. FOR BILL OF MATERIALS SEE:
-STANDARD CONFIGURATION SD-33471-0002
-UL V0 CONFIGURATION SD-160105-0002

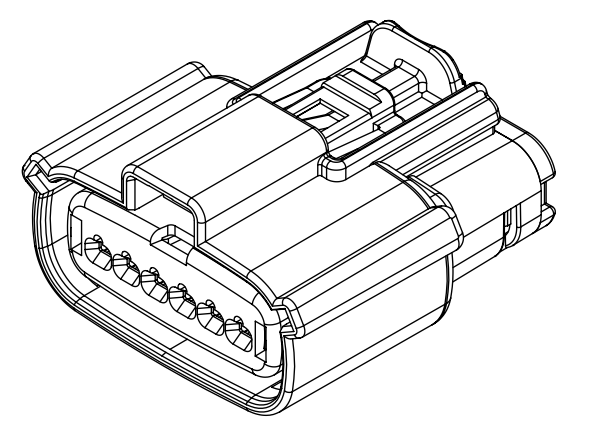
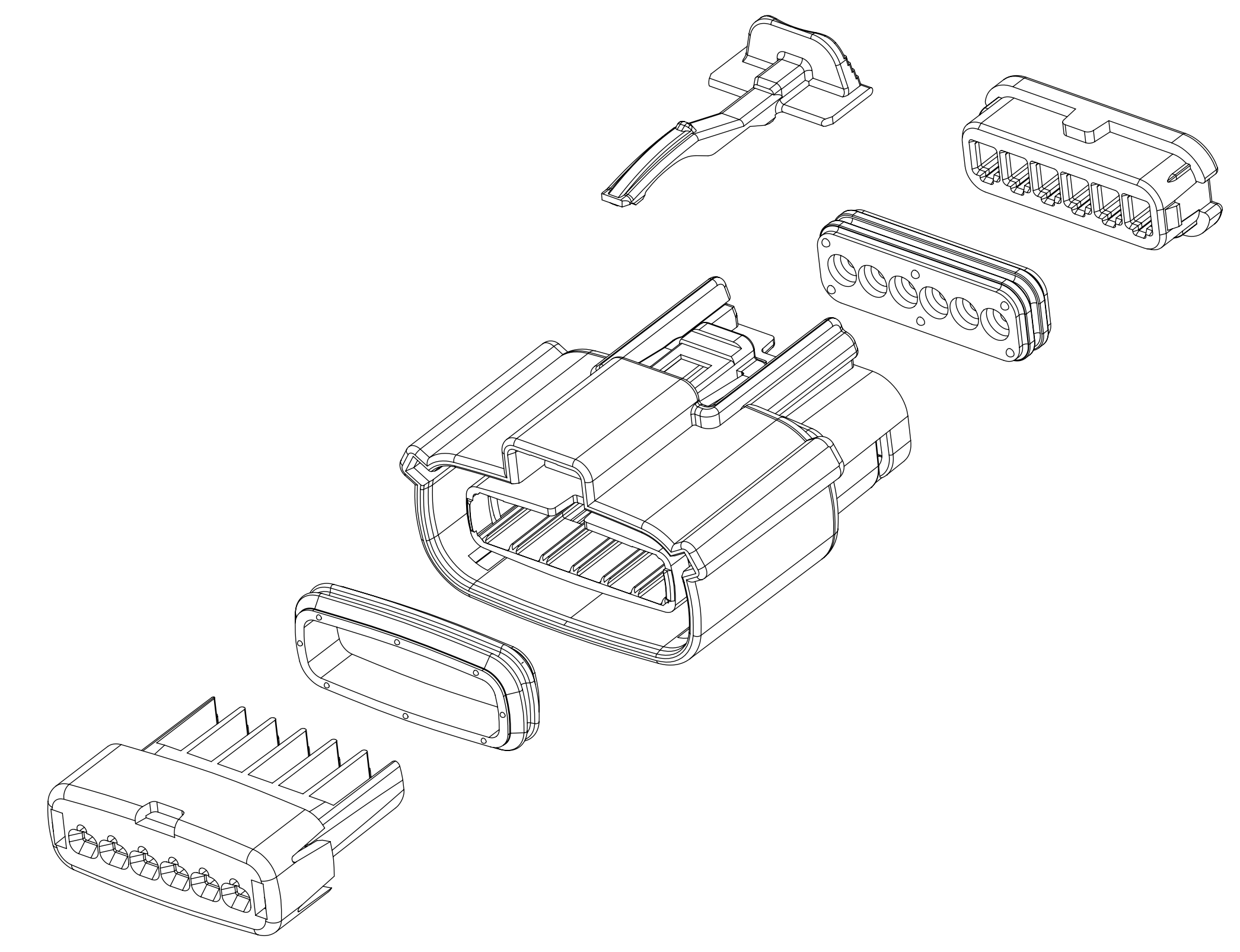
3. DESIGN - GEOMETRY:
a. THE 3-D CAD DATA IS BASIC (WITHOUT TOLERANCE) AND MASTER FOR THIS PART WITH THE EXCEPTION OF UNDERLINED DIMENSIONS. DIMENSIONAL INFORMATION NOT SHOWN ON THIS DRAWING IS DEFINED BY THE DATA FILE AT ITS LATEST REVISION.
b. GEOMETRIC DIMENSIONS AND TOLERANCES PER ASME Y14.5M-2009
c. EDGES AND UNDIMENSIONED DETAILS PER ISO13715
d. CORNERS SHOWN AS SHARP TO BE R 0.2 MAX.
e. LETTERING SHALL BE 0.15 MAX RAISED IN 0.25 MAX RECESS PAD. THIS INCLUDES RECYCLING CODE, CAVITY ID, VENDOR IDENTIFICATION, AND CUSTOMER MATERIAL NUMBER.
f. VISUAL DEFECTS SHALL MEET COSMETIC STANDARD PS-45499-002 (Class B).
g. LASER MARKING:
1. PART NUMBER
2. DAY OF THE YEAR
3. SHIFT
4. YEAR
FOR ADDITIONAL INFORMATION SEE SECTION 5 UNDER PROCEDURES IN ES-34735-008.

PACKAGING	
DESCRIPTION	DRAWING NO.
1X2	PK-31300-635
1X6	PK-31300-903

MATING INTERFACE/CONNECTOR DRAWINGS		
DESCRIPTION	INTERFACE DEFINITION	MOLEX INLINE
1X2	*150-S-002-1-Z05	SD-33481-0001
1X6	*150-S-006-1-Z03	SD-33481-0001



1x2



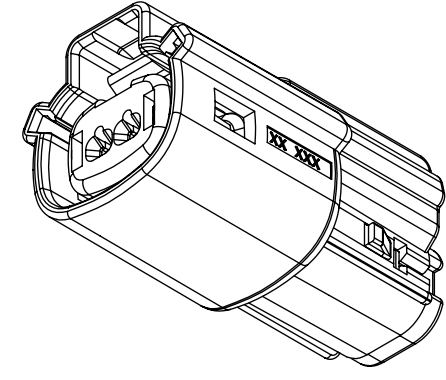
1x6

INSPECTION NUMBER LOG	
LAST NUMBER: 11	ADDED: 11
REMOVED:	REV
A1	UPDATED THE DRAWING FRAME
A	MINOR GEOMETRY CHANGE FOR UL V0
2	UPDATE VIEWSETS
1	INITIAL RELEASE
REV	REV DESCRIPTION

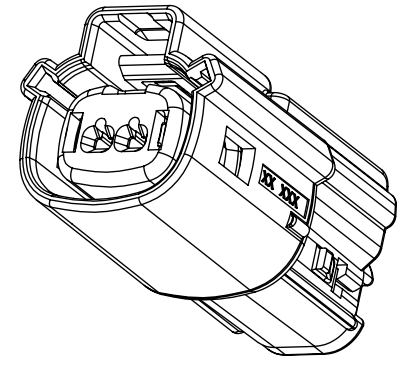
FUNCTIONAL SYMBOLS FA = 0 FC = 0 FD = 0	THIS DRAWING CONTAINS INFORMATION THAT IS PROPRIETARY TO MOLEX ELECTRONIC TECHNOLOGIES, LLC AND SHOULD NOT BE USED WITHOUT WRITTEN PERMISSION		CURRENT REV DESC:		
	DIMENSION UNITS mm	SCALE 1.5:1	EC NO: 643941		
DIVISIONAL SYMBOLS	GENERAL TOLERANCES (UNLESS SPECIFIED)		DRWN: XLDONG03 2020/08/21		MX150 RCPT SINGLE ROW SEALED ASSY MAT SEAL PRODUCT CUSTOMER DRAWING
	ANGULAR TOL ± 1.0°		CHK'D: JDENG02 2020/08/26		
	4 PLACES ±	APPR: JDENG02 2020/08/26		DOCUMENT NUMBER	
	3 PLACES ±	INITIAL REVISION:		DOC TYPE	
	2 PLACES ± 0.1	DRWN: APROFFITT 2015/11/04		DOC PART	
1 PLACE ± 0.2	APPR: KDEKOSHI 2016/06/14		REVISION		
0 PLACES ±	DRAFT WHERE APPLICABLE MUST REMAIN WITHIN DIMENSIONS		THIRD ANGLE PROJECTION		SD-33471-0001
DRAWING		SERIES	MATERIAL NUMBER	CUSTOMER	SHEET NUMBER
D-SIZE		33471	SEE NOTE 2a	GENERAL MARKET	1 OF 8

SHEET DESCRIPTION

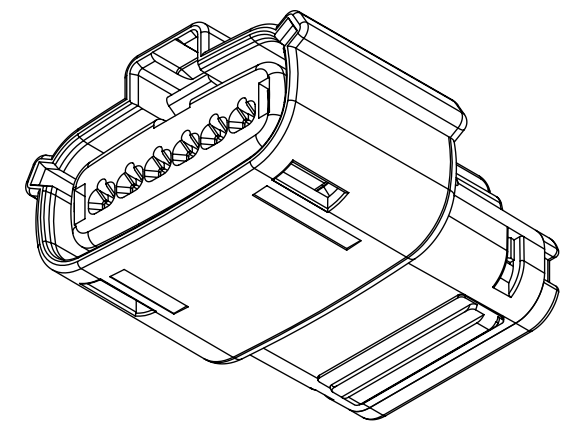
CONFIGURATIONS



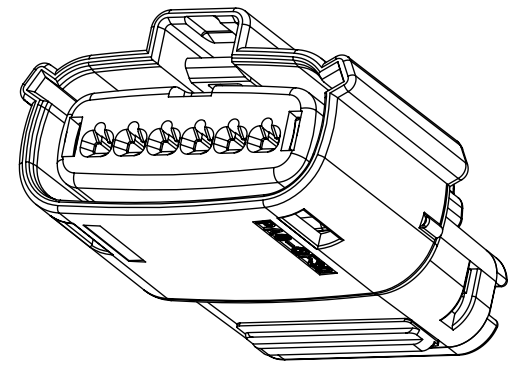
1x2 - STD



1x2 - UL V0*



1x6 - STD



1x6 - UL V0*

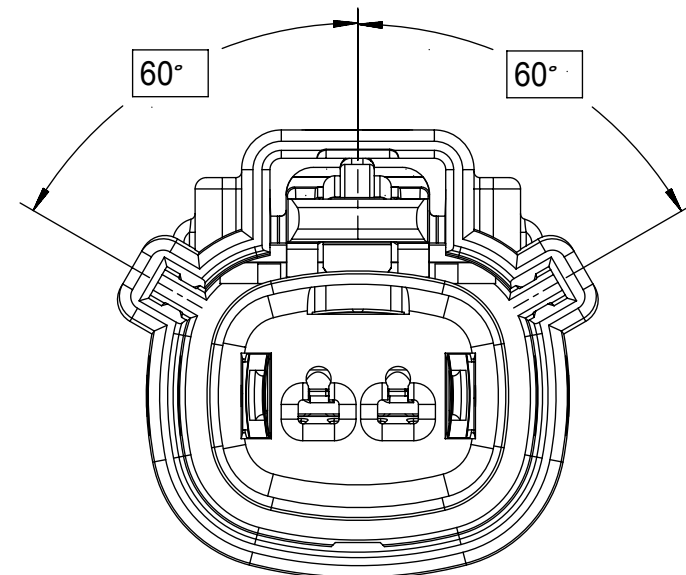
*MINOR GEOMETRY DIFFERENCE THAN STANDARD CONFIGURATION
SEE NOTES 1 & 2 FOR MORE INFORMATION

FUNCTIONAL SYMBOLS	THIS DRAWING CONTAINS INFORMATION THAT IS PROPRIETARY TO MOLEX ELECTRONIC TECHNOLOGIES, LLC AND SHOULD NOT BE USED WITHOUT WRITTEN PERMISSION		
	DIMENSION UNITS	SCALE	CURRENT REV DESC:
$\nabla_A = 0$	mm	1.5:1	EC NO: 643941 DRWN: XLDONG03 2020/08/21 CHK'D: JDENG02 2020/08/26 APPR: JDENG02 2020/08/26 INITIAL REVISION: DRWN: APROFFITT 2015/11/04 APPR: KDEKOSKI 2016/06/14
$\nabla_C = 0$	GENERAL TOLERANCES (UNLESS SPECIFIED)		
$\nabla_P = 0$	ANGULAR TOL $\pm 1.0^\circ$		
DIVISIONAL SYMBOLS	4 PLACES	\pm	
	3 PLACES	\pm	
	2 PLACES	± 0.1	
	1 PLACE	± 0.2	
	0 PLACES	\pm	
DRAFT WHERE APPLICABLE MUST REMAIN WITHIN DIMENSIONS		THIRD ANGLE PROJECTION	DRAWING: D-SIZE SERIES: 33471 MATERIAL NUMBER: SEE NOTE 2a CUSTOMER: GENERAL MARKET SHEET NUMBER: 2 OF 8
PRODUCT CUSTOMER DRAWING DOCUMENT NUMBER: SD-33471-0001 DOC TYPE: PSD DOC PART: 001 REVISION: A1			MOLEX MX150 RCPT SINGLE ROW SEALED ASSY MAT SEAL

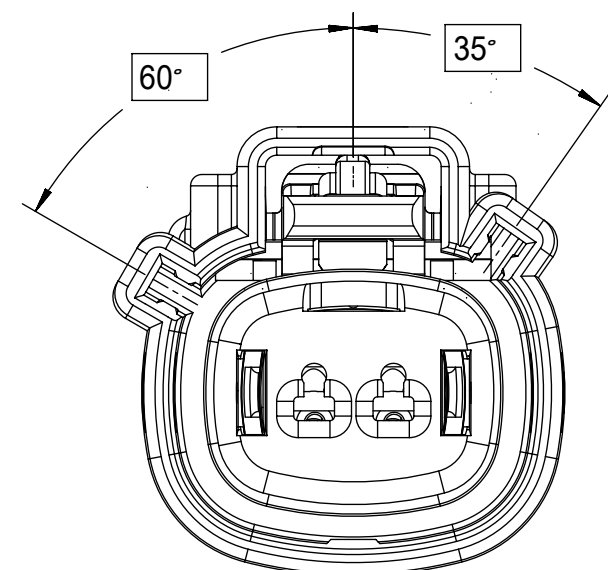
SHEET DESCRIPTION

KEY CONFIGURATIONS

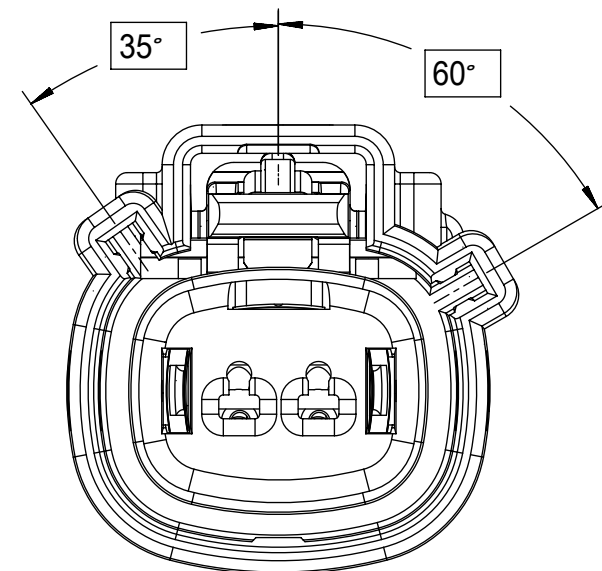
1X2



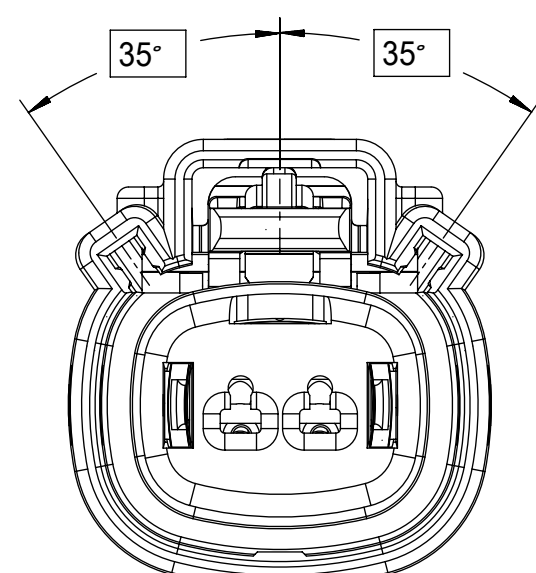
KEY A



KEY B



KEY C



KEY D

FUNCTIONAL SYMBOLS	THIS DRAWING CONTAINS INFORMATION THAT IS PROPRIETARY TO MOLEX ELECTRONIC TECHNOLOGIES, LLC AND SHOULD NOT BE USED WITHOUT WRITTEN PERMISSION		
	DIMENSION UNITS	SCALE	CURRENT REV DESC:
$\nabla_A = 0$	mm	3:1	EC NO: 643941 DRWN: XLDONG03 2020/08/21 CHK'D: JDENG02 2020/08/26 APPR: JDENG02 2020/08/26
$\nabla_C = 0$	GENERAL TOLERANCES (UNLESS SPECIFIED)		
$\nabla_D = 0$	ANGULAR TOL $\pm 1.0^\circ$		
DIVISIONAL SYMBOLS	4 PLACES	\pm	
	3 PLACES	\pm	INITIAL REVISION: DRWN: APROFFITT 2015/11/04 APPR: KDEKOSKI 2016/06/14
	2 PLACES	± 0.1	DOCUMENT NUMBER: SD-33471-0001 DOC TYPE: PSD DOC PART: 001 REVISION: A1
	1 PLACE	± 0.2	
	0 PLACES	\pm	MATERIAL NUMBER: SEE NOTE 2a CUSTOMER: GENERAL MARKET SHEET NUMBER: 3 OF 8
	DRAFT WHERE APPLICABLE MUST REMAIN WITHIN DIMENSIONS		
	THIRD ANGLE PROJECTION	DRAWING: D-SIZE	SERIES: 33471

molex

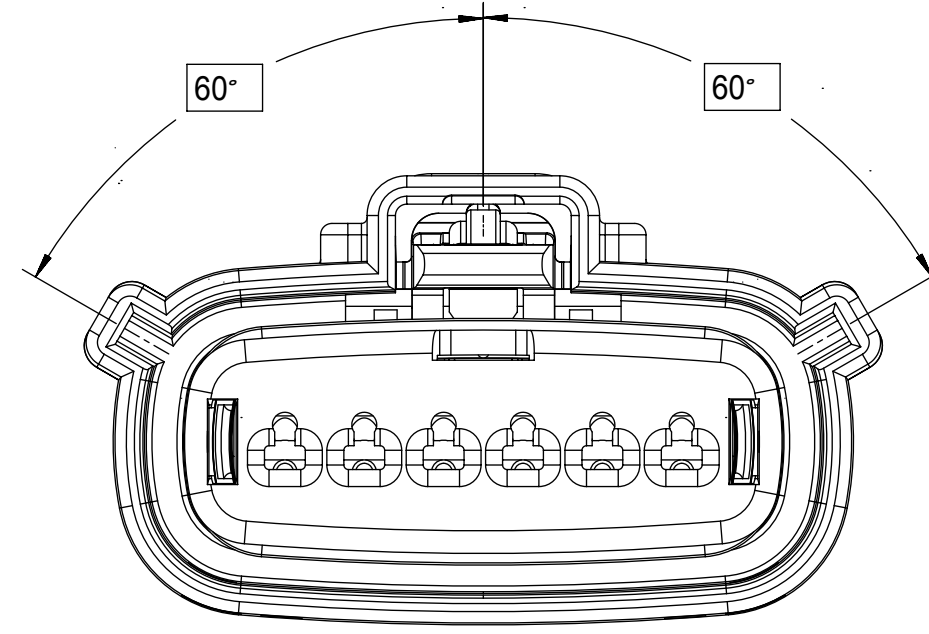
MX150 RCPT
SINGLE ROW SEALED ASSY MAT SEAL

PRODUCT CUSTOMER DRAWING

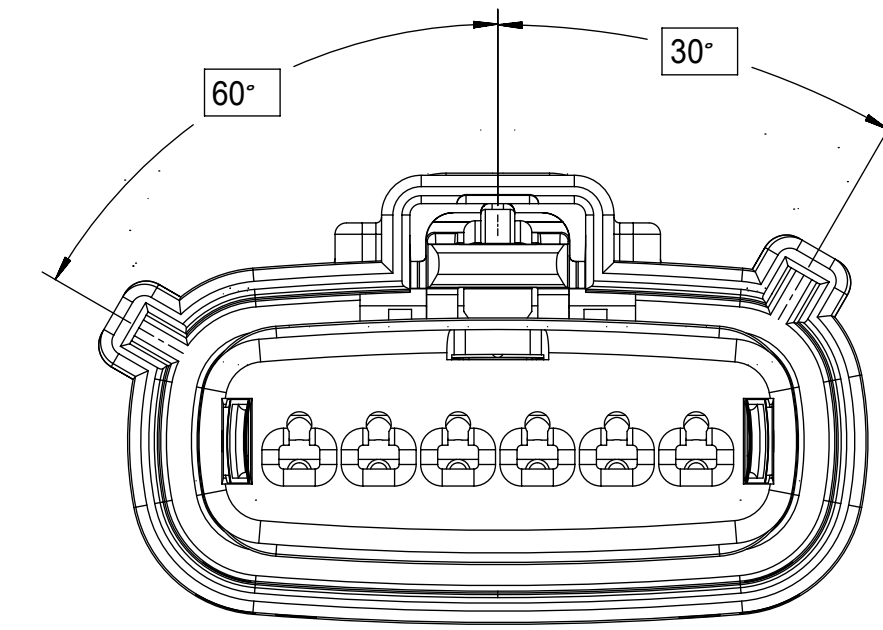
SHEET DESCRIPTION

KEY CONFIGURATIONS CONT.

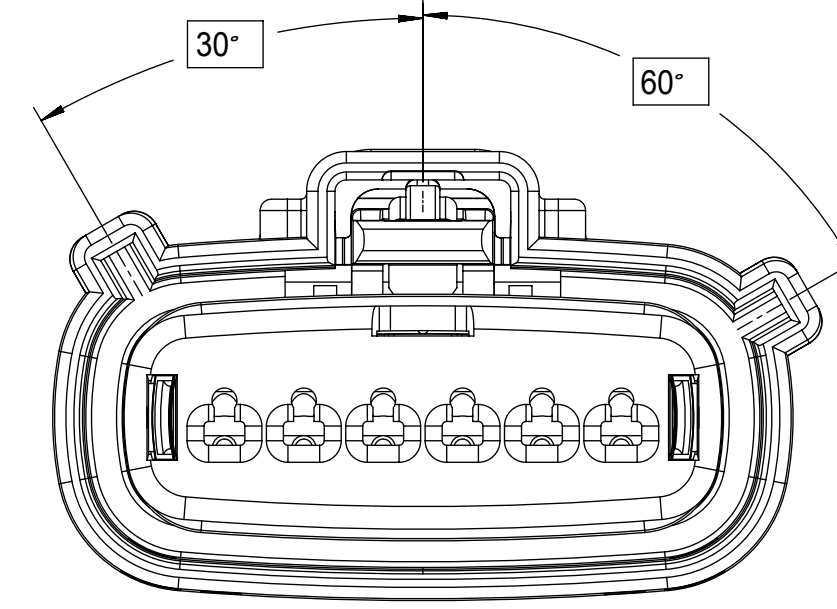
1X6



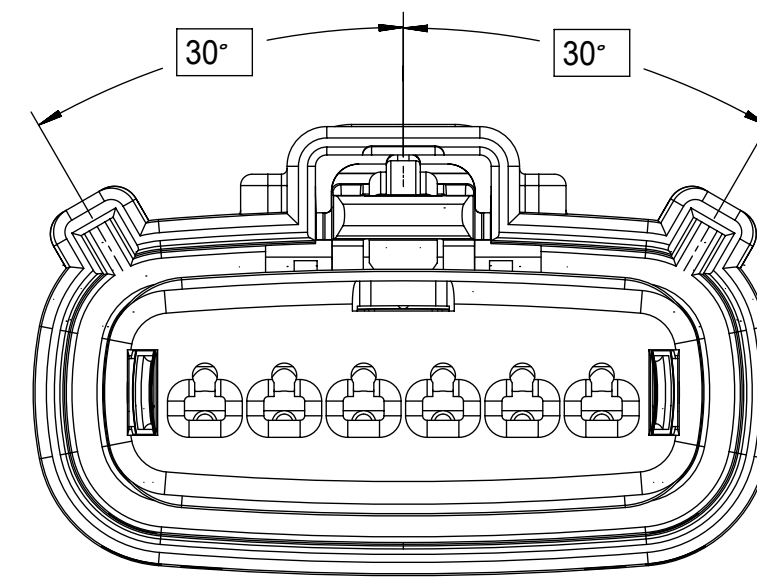
KEY A



KEY B



KEY C



KEY D

FUNCTIONAL SYMBOLS $F_A = 0$ $F_C = 0$ $F_D = 0$	DIMENSION UNITS mm	SCALE 3:1	CURRENT REV DESC:			
	GENERAL TOLERANCES (UNLESS SPECIFIED)		EC NO: 643941 DRWN: XLDONG03 2020/08/21 CHK'D: JDENG02 2020/08/26 APPR: JDENG02 2020/08/26			
DIVISIONAL SYMBOLS	ANGULAR TOL $\pm 1.0^\circ$		INITIAL REVISION: DRWN: APROFFITT 2015/11/04 APPR: KDEKOSKI 2016/06/14			
	4 PLACES	\pm	DOCUMENT NUMBER: SD-33471-0001			
	3 PLACES	\pm	DOC TYPE: PSD	DOC PART: 001	REVISION: A1	
	2 PLACES	± 0.1	MATERIAL NUMBER: SEE NOTE 2a CUSTOMER: GENERAL MARKET			
1 PLACE	± 0.2	SHEET NUMBER: 4 OF 8				
0 PLACES	\pm					
DRAFT WHERE APPLICABLE MUST REMAIN WITHIN DIMENSIONS		THIRD ANGLE PROJECTION 	DRAWING D-SIZE	SERIES 33471		

molex

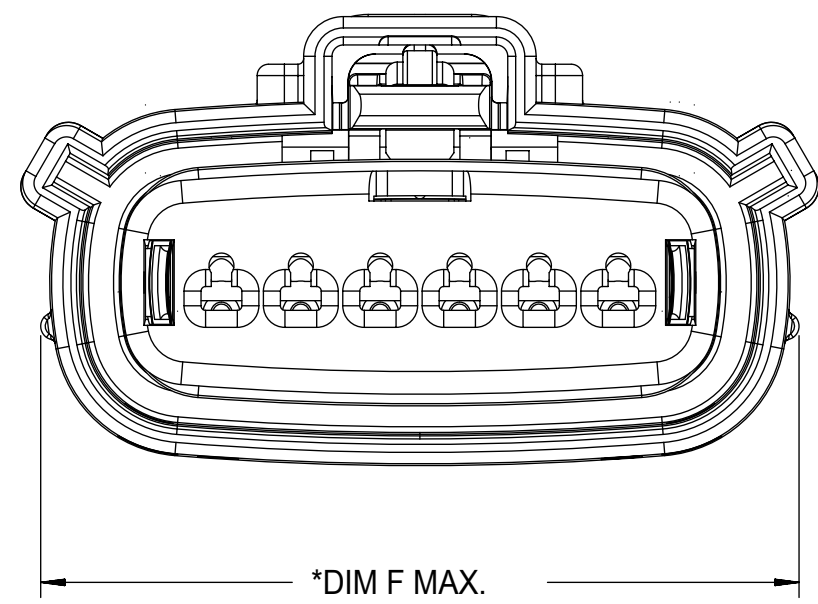
MX150 RCPT
SINGLE ROW SEALED ASSY MAT SEAL

PRODUCT CUSTOMER DRAWING

SHEET DESCRIPTION

RECEPTACLE CONNECTOR ASSEMBLY - STD

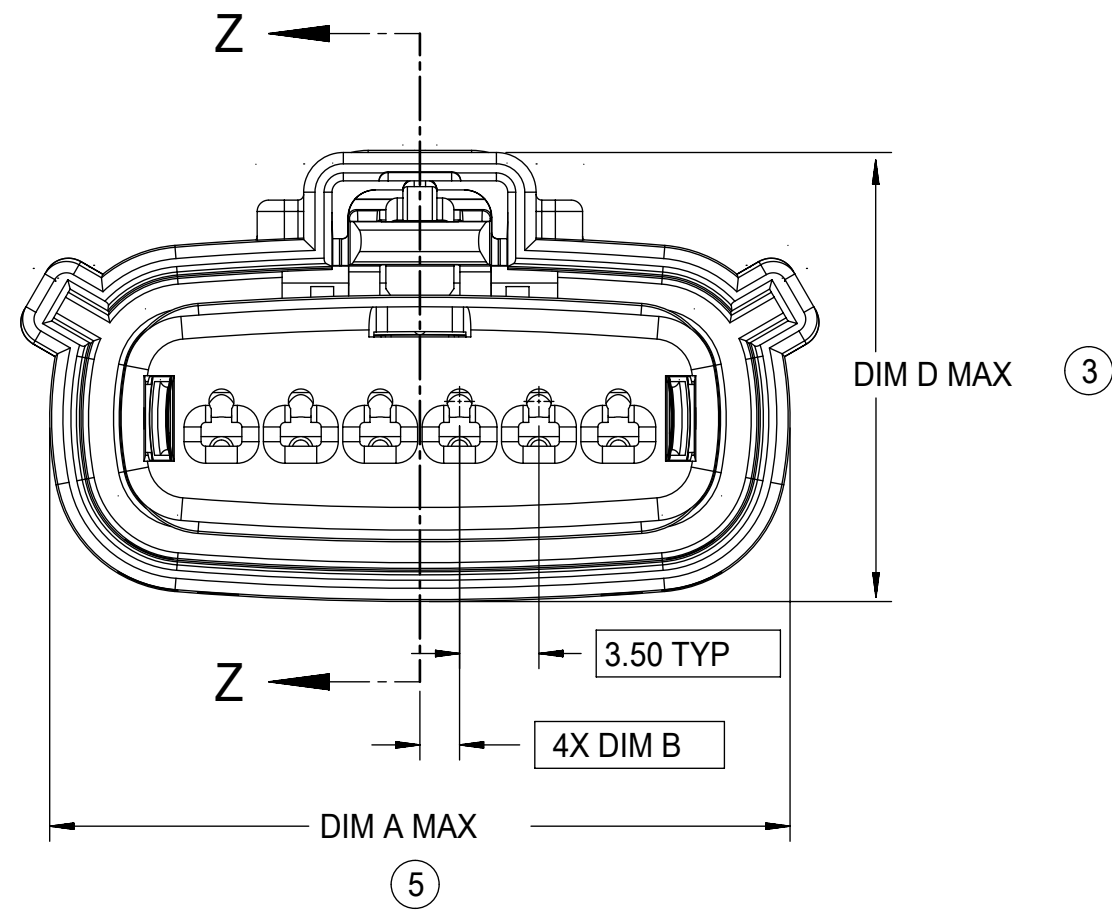
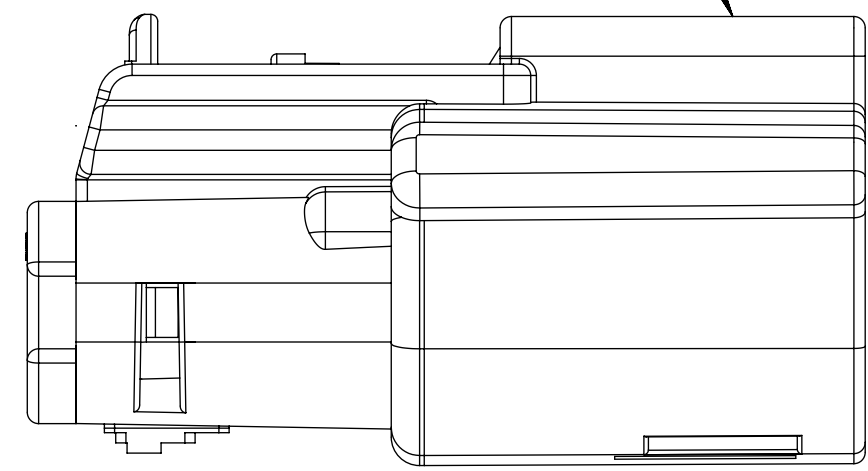
DESCRIPTION	DIMENSIONS					
	A	B	C	D	E	F
1X2	19.40	1.75	21.73	20.55	37.65	19.64
1X6	32.75	1.75	35.21	19.90	37.65	N/A
1X6 UL V0	N/A	1.75	35.23	19.90	37.65	33.64



*DIM F MAX.
*APPLIE TO UL V0 CONFIGURATIONS ONLY

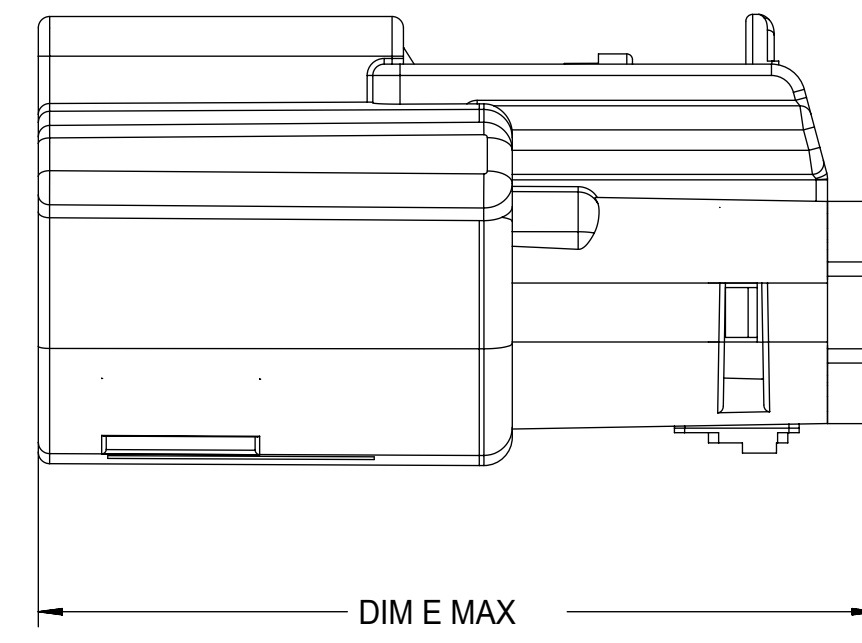
①

LASER MARKING ON THIS SURFACE
SEE NOTE 3g.



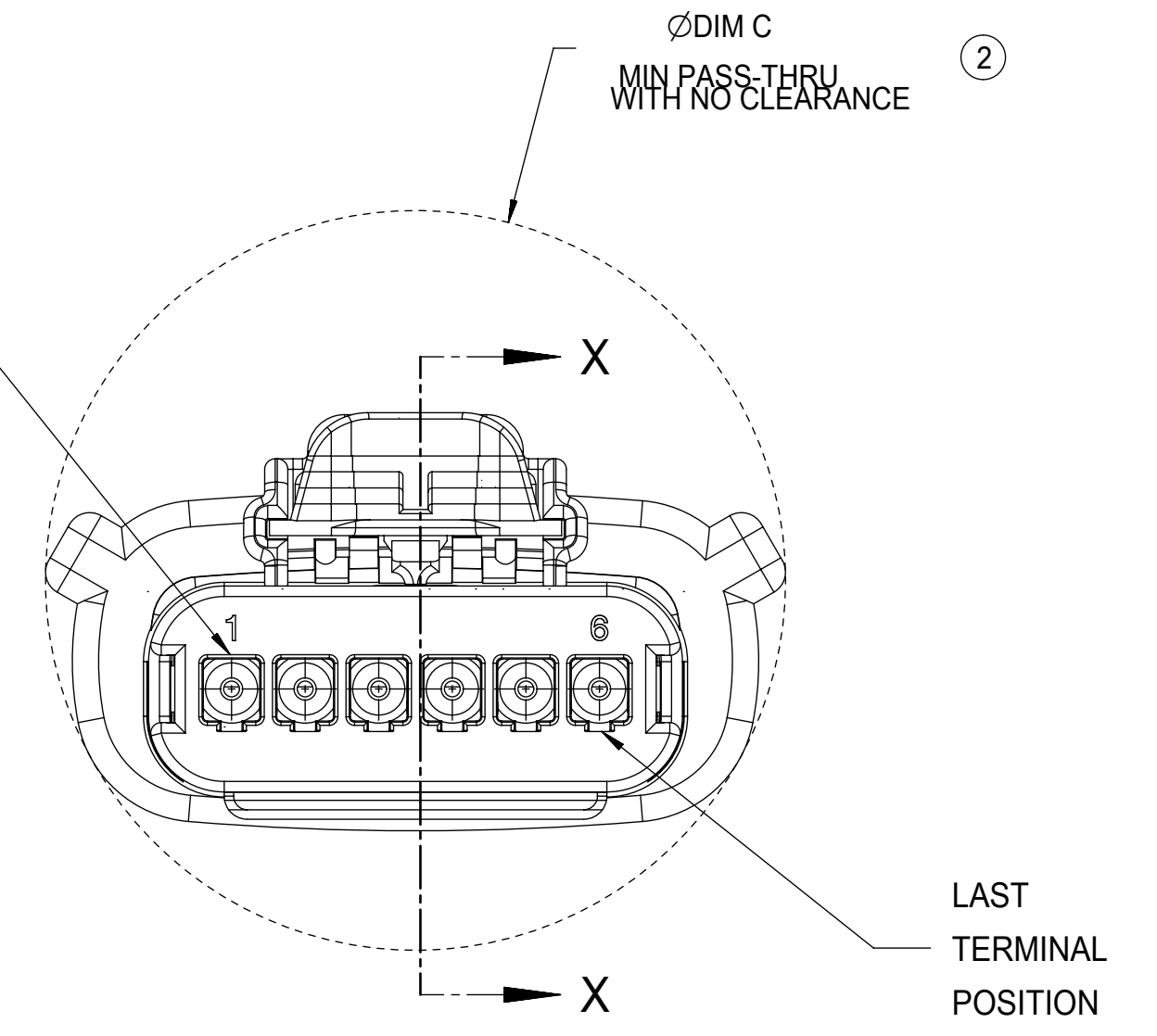
③

⑤



①

TERMINAL
POSITION 1

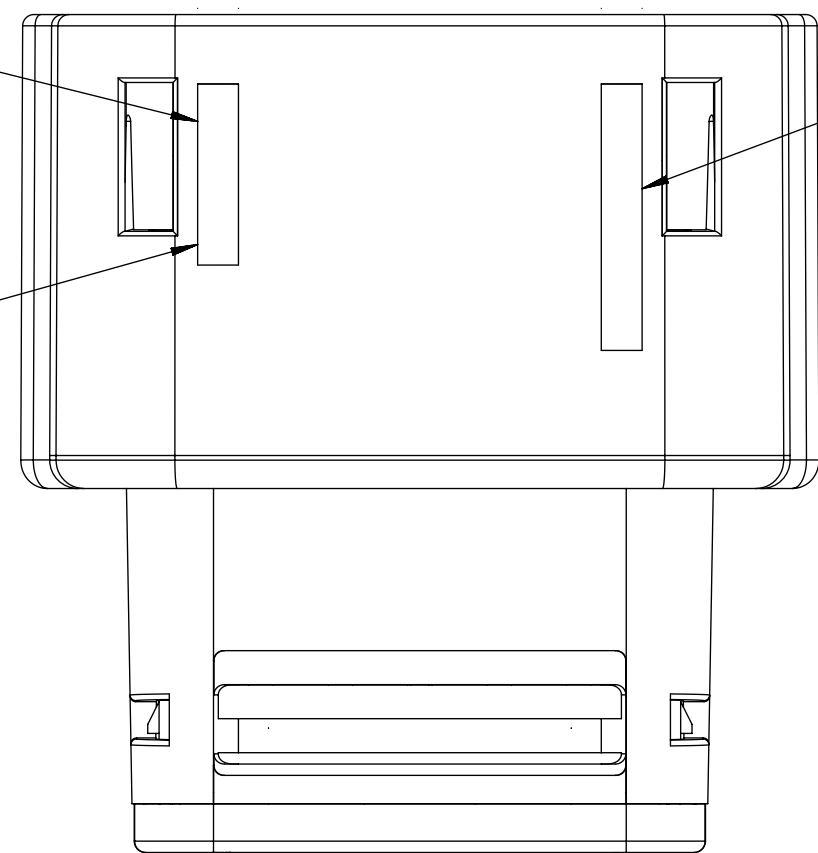


REAR VIEW
(WIRE HARNESS SIDE)

MOLD CAVITY I.D.
THIS LOCATION

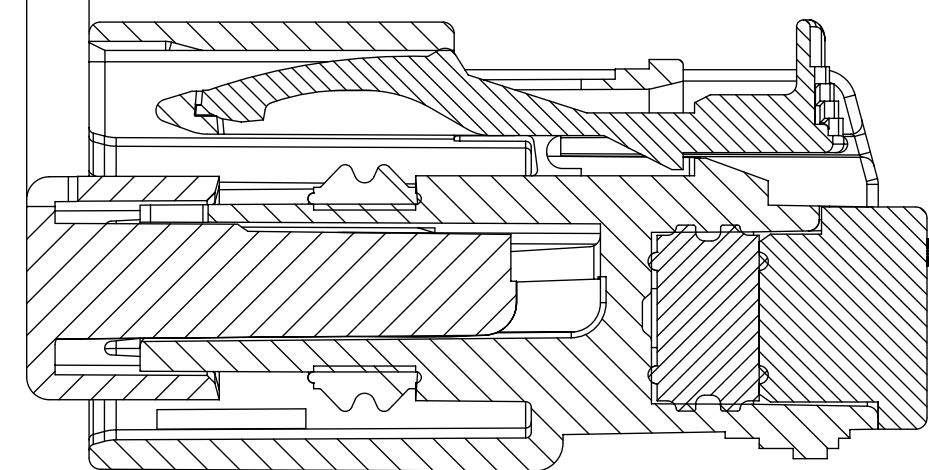
RECYCLE CODE
THIS LOCATION

MANUFACTURING LOCATION
CODE THIS LOCATION



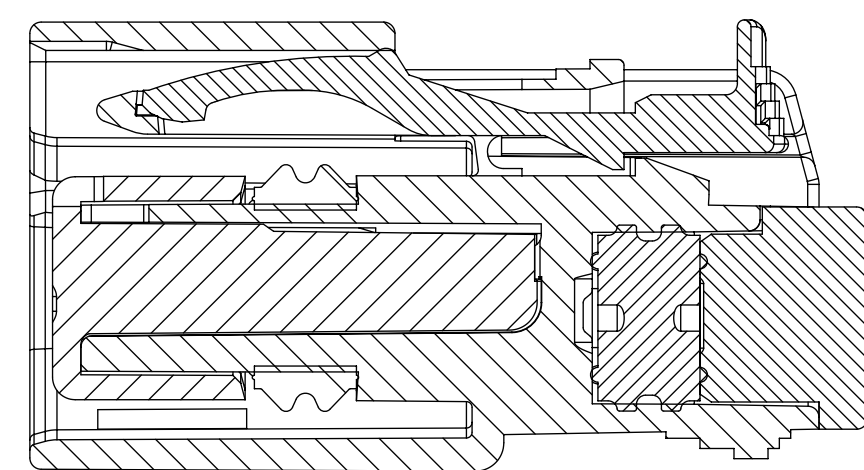
2.75±0.50

⑥



PRIMARY LOCK REINFORCEMENT (PLR) SHOWN
IN PRE-STAGED POSITION

SECTION Z-Z



PRIMARY LOCK REINFORCEMENT (PLR) SHOWN
IN FINAL-LOCK POSITION

SECTION X-X

FUNCTIONAL SYMBOLS	THIS DRAWING CONTAINS INFORMATION THAT IS PROPRIETARY TO MOLEX ELECTRONIC TECHNOLOGIES, LLC AND SHOULD NOT BE USED WITHOUT WRITTEN PERMISSION		CURRENT REV DESC:		
	FA = 0	mm	SCALE 3:1		
DIVISIONAL SYMBOLS	GENERAL TOLERANCES (UNLESS SPECIFIED)		EC NO: 643941		MX150 RCPT SINGLE ROW SEALED ASSY MAT SEAL PRODUCT CUSTOMER DRAWING
	FC = 0	ANGULAR TOL ± 1.0°		DRWN: XLDONG03 2020/08/21	
DIVISIONAL SYMBOLS	4 PLACES	±	CHK'D: JDENG02 2020/08/26	APPR: JDENG02 2020/08/26	DOCUMENT NUMBER SD-33471-0001 DOC TYPE PSD DOC PART 001 REVISION A1
	3 PLACES	±	INITIAL REVISION:		
	2 PLACES	± 0.1	DRWN: APROFFITT 2015/11/04		
	1 PLACE	± 0.2	APPR: KDEKOSKI 2016/06/14		
0 PLACES	±	DRAFT WHERE APPLICABLE MUST REMAIN WITHIN DIMENSIONS		DRAWING D-SIZE SERIES 33471 MATERIAL NUMBER SEE NOTE 2a CUSTOMER GENERAL MARKET SHEET NUMBER 5 OF 8	

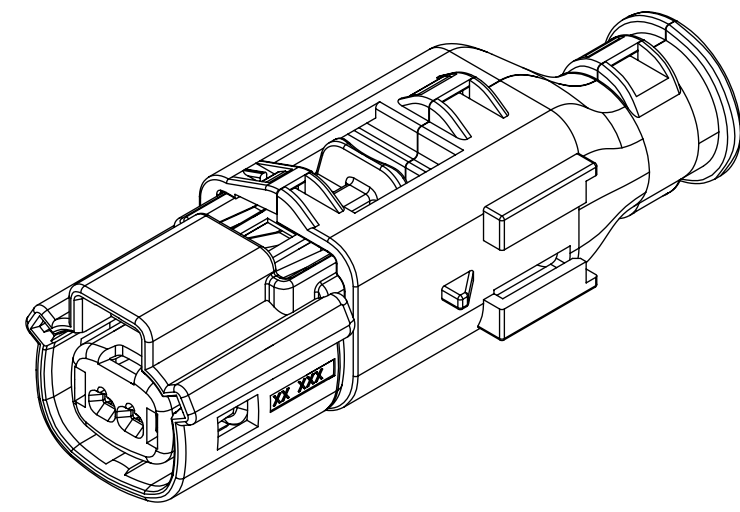
SHEET DESCRIPTION

BACKSHELL NOTES

BACKSHELL NOTES: VALID UNLESS OTHERWISE SPECIFIED

1. GENERAL:

- a. APPLICATION SPECIFICATION SEE: AS-34951-001
 - DESIGNED TO MATE WITH RECEPTACLE SEALED ASSEMBLY SPECIFIED IN MOLEX DRAWING SD-33471-0001.
 - SYSTEM TO BE USED WITH WIRE WITHIN DIAMETER RANGE OF 1.2mm TO 2.69mm.
 - COMPONENTS ARE OPTIONAL AND MUST BE PURCHASED SEPERATELY.
 - BACKSHELL DESIGN IS OWNED BY SCHLEMMER.
 - FOR ADDITIONAL INFORMATION SEE THE BACKSHELL COMPONENT DRAWING SD-34949-0001.



1X2

BACKSHELL CUSTOMER MODEL NUMBER LEGEND

34949-XXXX

CUSTOMER MODEL COMPONENTS

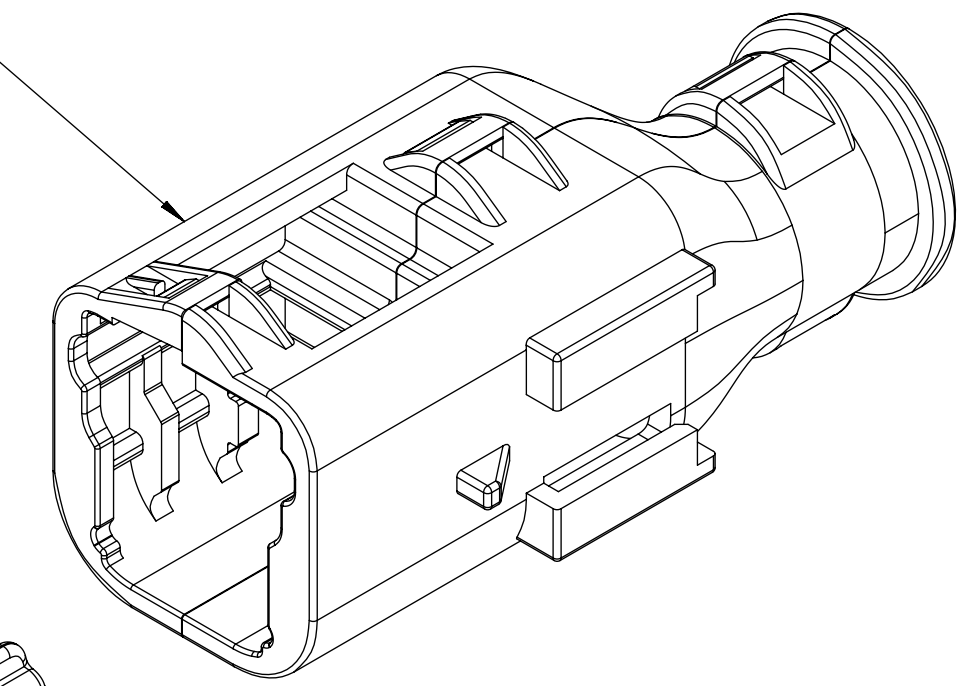
- 0 - BACKSHELL ONLY
- 1 - BACKSHELL & MX150 HOUSING KEY A ASSEMBLY
- 2 - BACKSHELL & MX150 HOUSING KEY B ASSEMBLY
- 3 - BACKSHELL & MX150 HOUSING KEY C ASSEMBLY
- 4 - BACKSHELL & MX150 HOUSING KEY D ASSEMBLY

BACKSHELL FEATURES

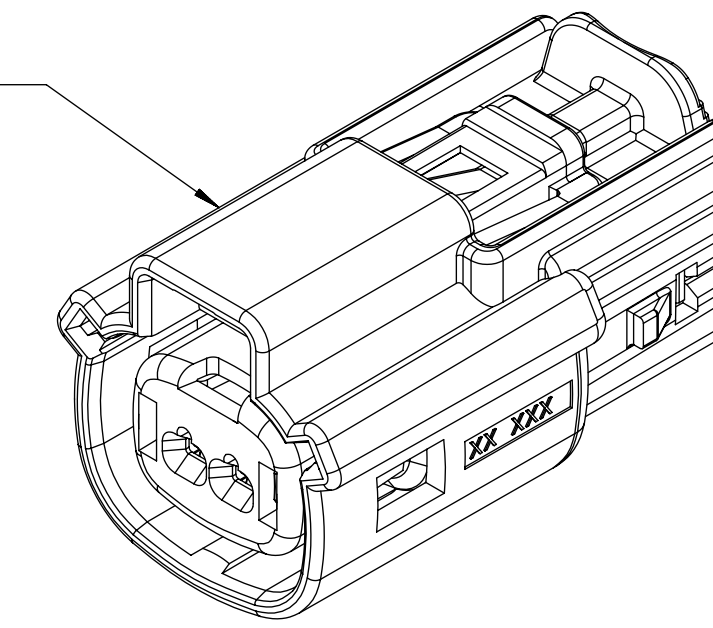
- 1 - WITH RIBS
- 2 - WITHOUT RIBS

MX150 CIRCUIT SIZE 02, 03, 04, 05, 06

BACKSHELL (BKS)



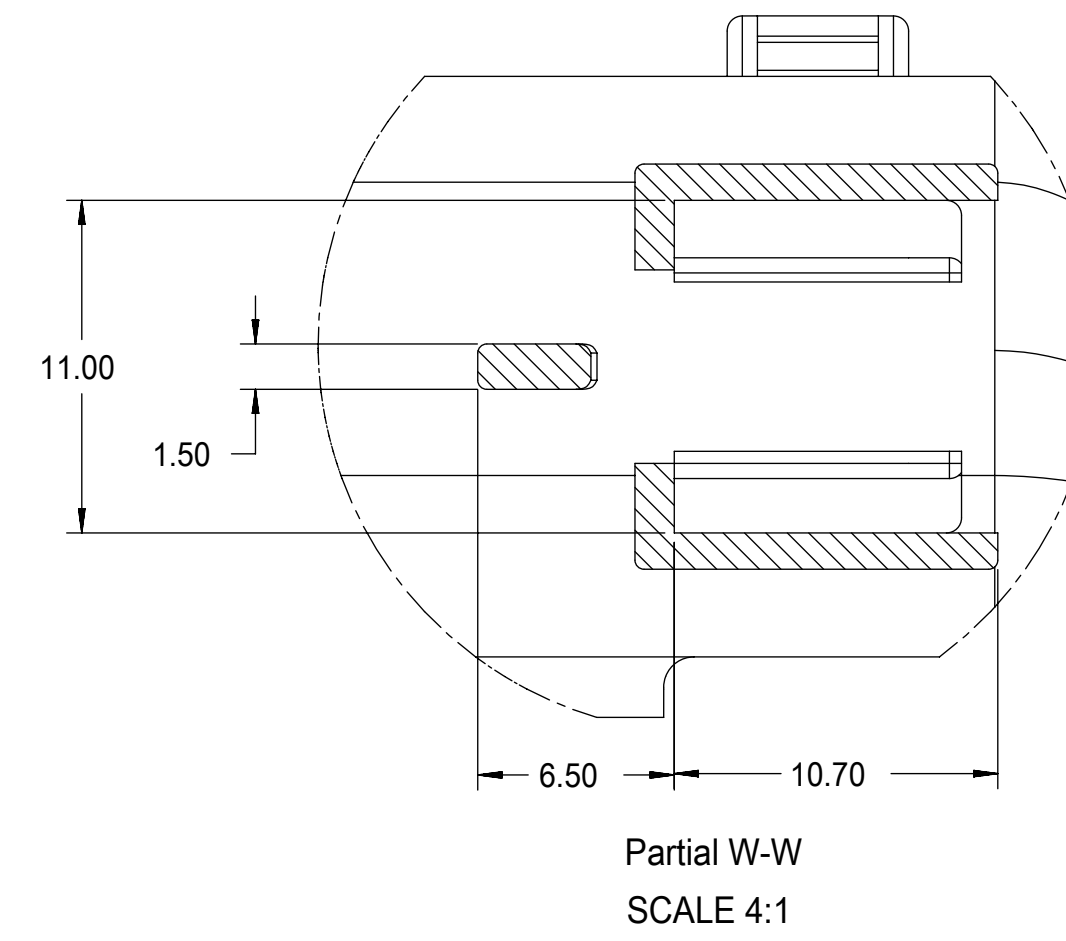
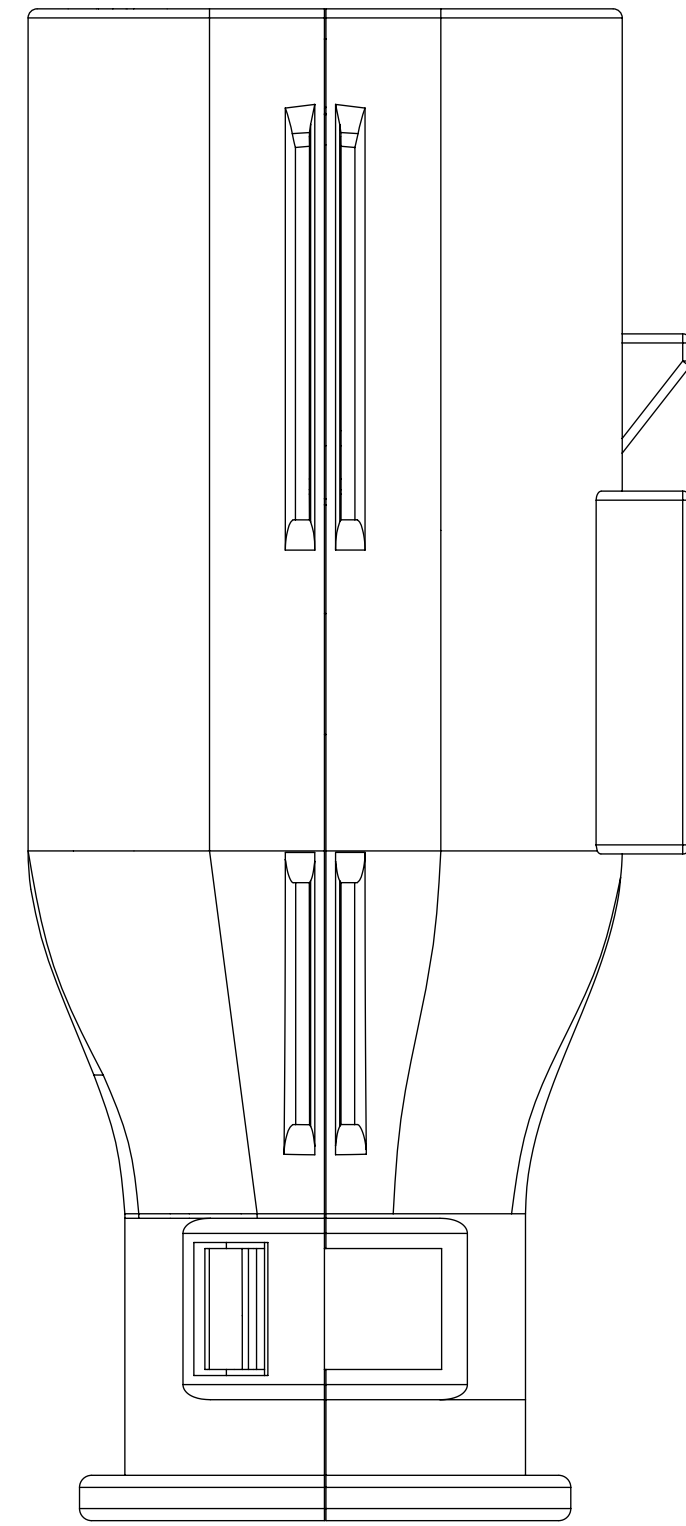
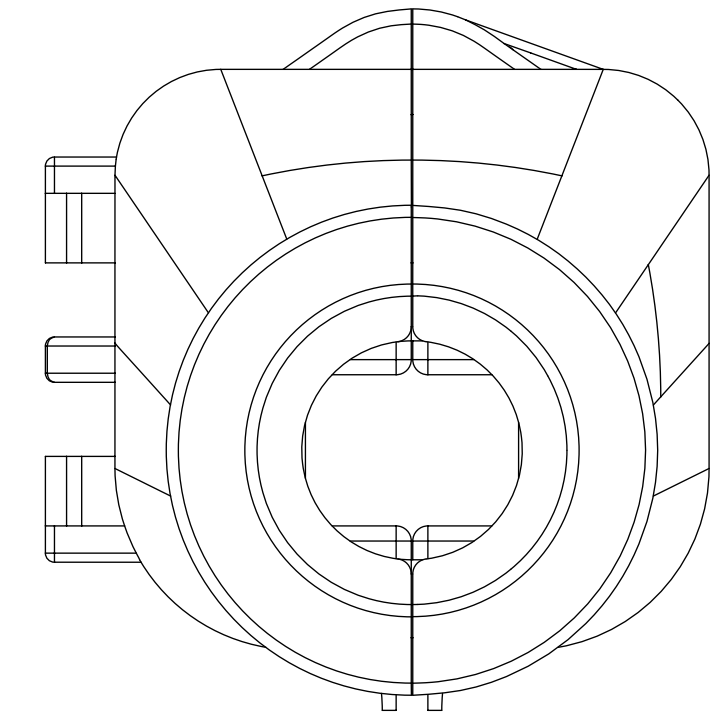
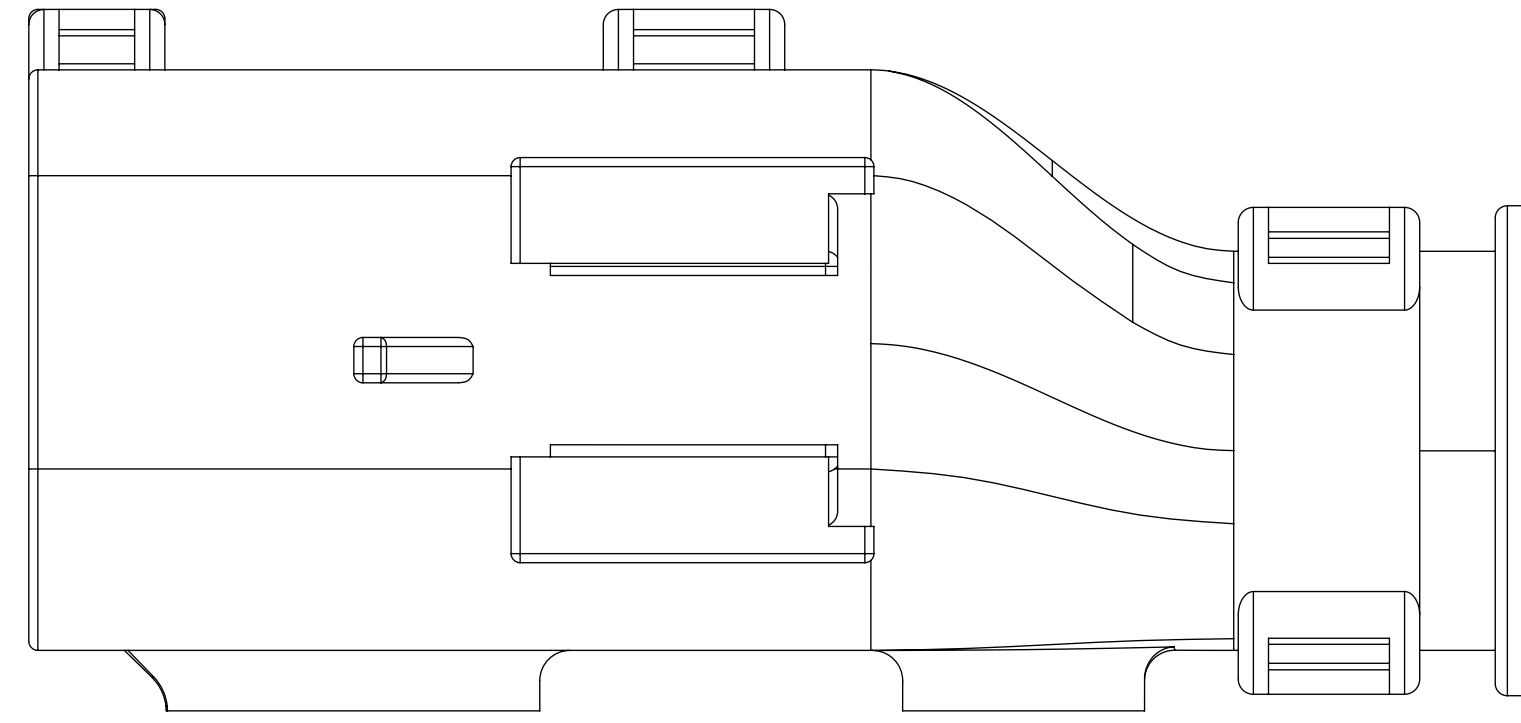
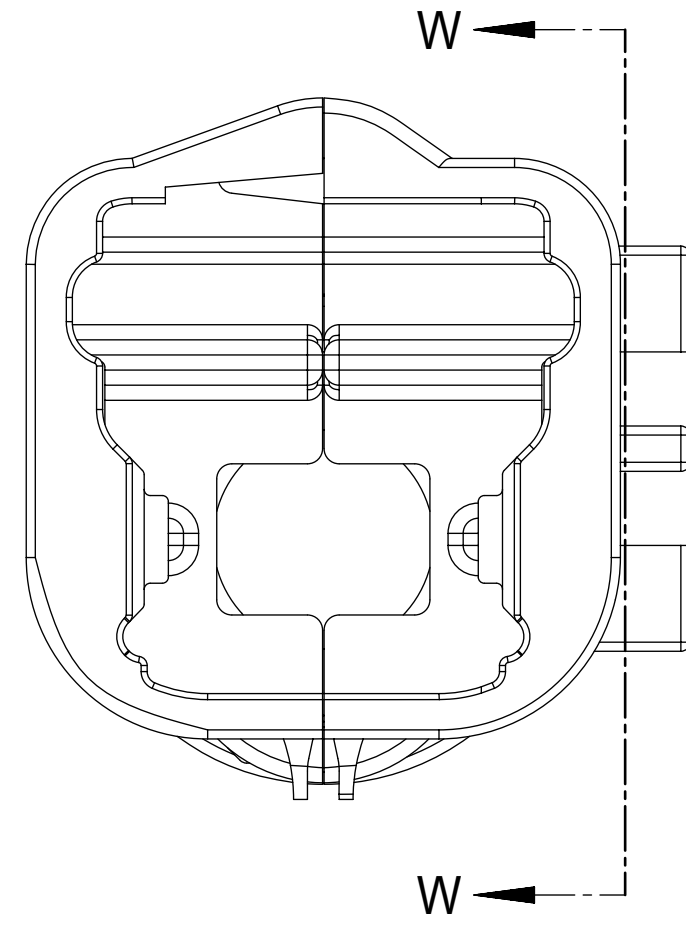
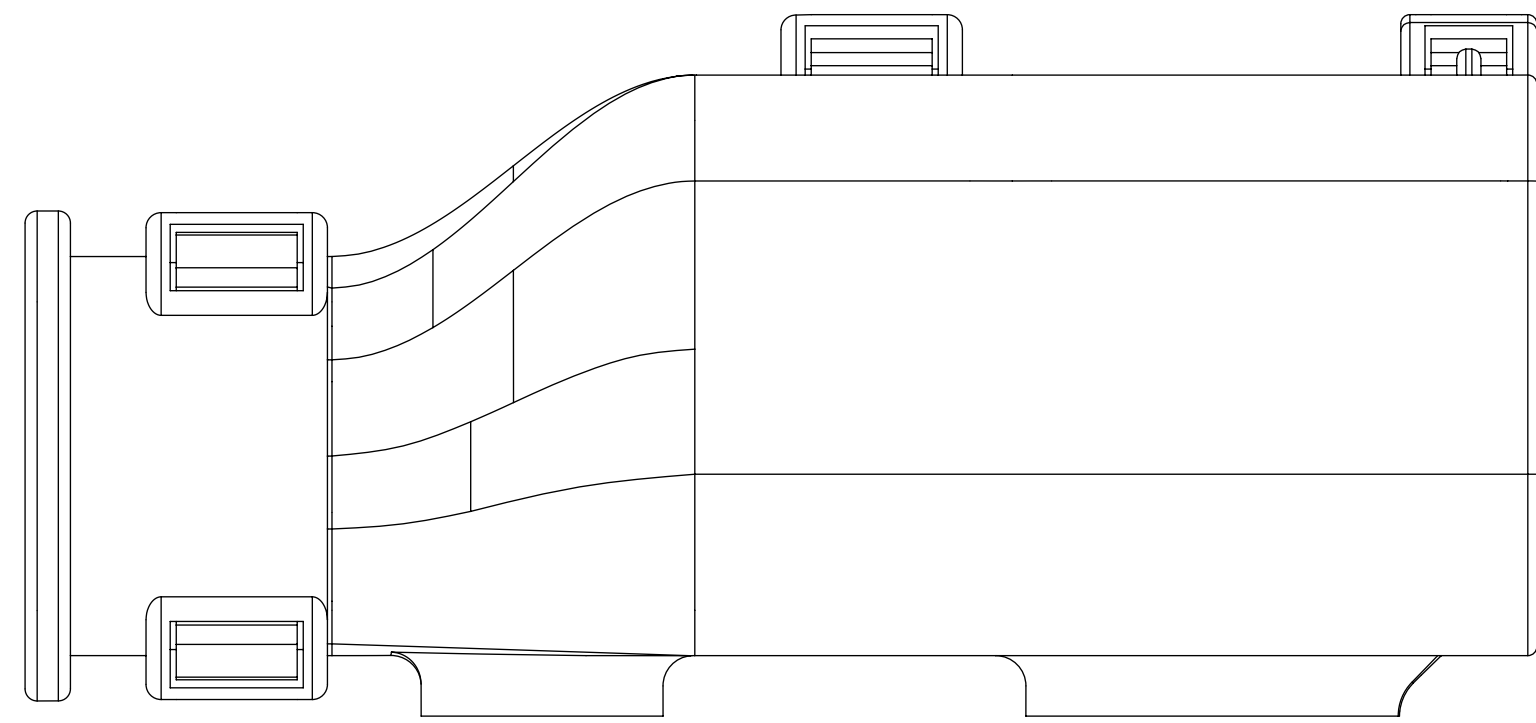
RECEPTACLE SEALED ASSEMBLY



FUNCTIONAL SYMBOLS	THIS DRAWING CONTAINS INFORMATION THAT IS PROPRIETARY TO MOLEX ELECTRONIC TECHNOLOGIES, LLC AND SHOULD NOT BE USED WITHOUT WRITTEN PERMISSION		
	DIMENSION UNITS	SCALE	CURRENT REV DESC:
$\nabla_A = 0$	mm	4:1	
$\nabla_C = 0$	GENERAL TOLERANCES (UNLESS SPECIFIED)		
$\nabla_D = 0$	ANGULAR TOL $\pm 1.0^\circ$		
DIVISIONAL SYMBOLS	4 PLACES	\pm	EC NO: 643941
	3 PLACES	\pm	DRWN: XLDONG03 2020/08/21
	2 PLACES	± 0.1	CHK'D: JDENG02 2020/08/26
	1 PLACE	± 0.2	APPR: JDENG02 2020/08/26
	0 PLACES	\pm	INITIAL REVISION: DRWN: APROFFITT 2015/11/04 APPR: KDEKOSKI 2016/06/14
DRAFT WHERE APPLICABLE MUST REMAIN WITHIN DIMENSIONS	THIRD ANGLE PROJECTION	DRAWING	SERIES
		D-SIZE	33471
DOCUMENT STATUS		RELEASE DATE	2020/08/26 07:23:52
P1			
DOCUMENT NUMBER		DOC TYPE	DOC PART
SD-33471-0001		PSD	001
MATERIAL NUMBER		CUSTOMER	REVISION
SEE NOTE 2a		GENERAL MARKET	A1
SHEET NUMBER		6 OF 8	

SHEET DESCRIPTION

BACKSHELL



FUNCTIONAL SYMBOLS $F_A = 0$ $F_C = 0$ $F_P = 0$	THIS DRAWING CONTAINS INFORMATION THAT IS PROPRIETARY TO MOLEX ELECTRONIC TECHNOLOGIES, LLC AND SHOULD NOT BE USED WITHOUT WRITTEN PERMISSION		CURRENT REV DESC:						
	DIMENSION UNITS mm	SCALE 4:1	EC NO: 643941 DRWN: XLDONG03 2020/08/21 CHK'D: JDENG02 2020/08/26 APPR: JDENG02 2020/08/26					MX150 RCPT SINGLE ROW SEALED ASSY MAT SEAL	
	GENERAL TOLERANCES (UNLESS SPECIFIED)		INITIAL REVISION: DRWN: APROFFITT 2015/11/04 APPR: KDEKOSKI 2016/06/14		DOCUMENT NUMBER SD-33471-0001	DOC TYPE PSD	DOC PART 001	REVISION A1	
	ANGULAR TOL $\pm 1.0^\circ$		DRAFT WHERE APPLICABLE MUST REMAIN WITHIN DIMENSIONS		THIRD ANGLE PROJECTION 	DRAWING D-SIZE	SERIES 33471	MATERIAL NUMBER SEE NOTE 2a	CUSTOMER GENERAL MARKET

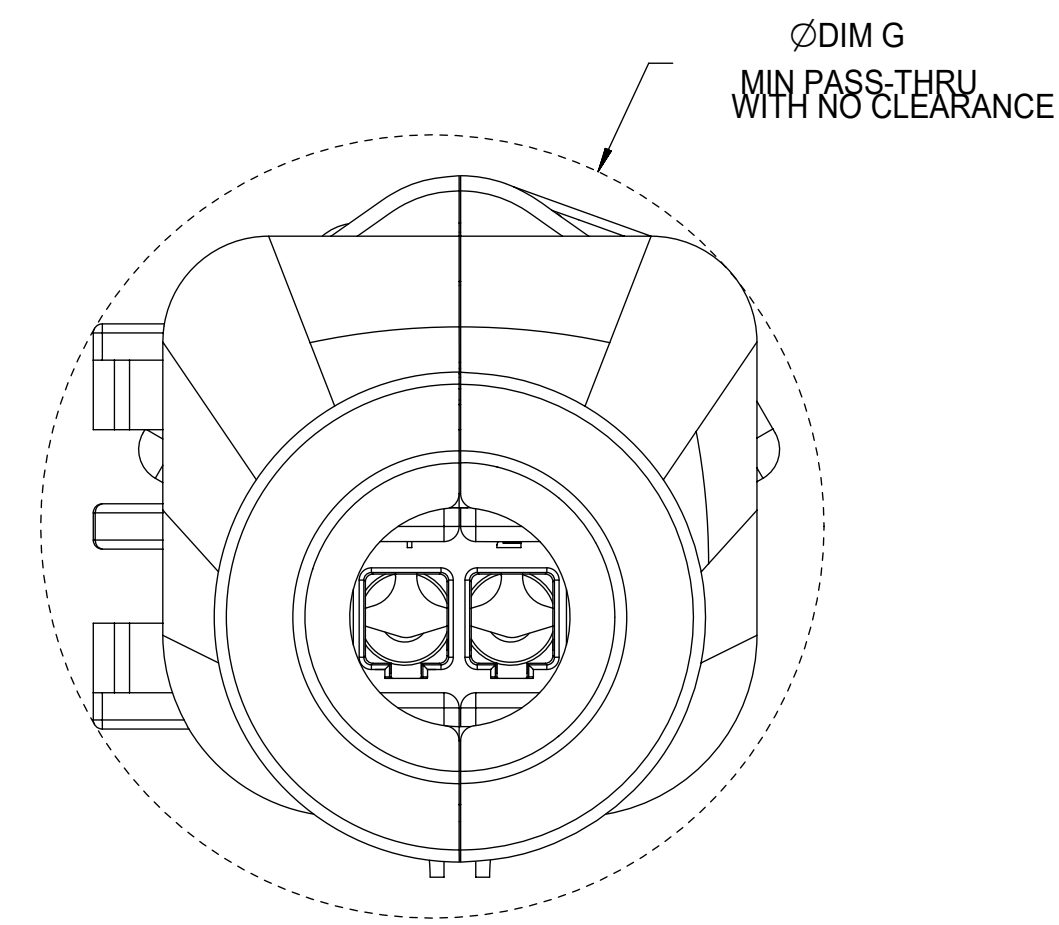
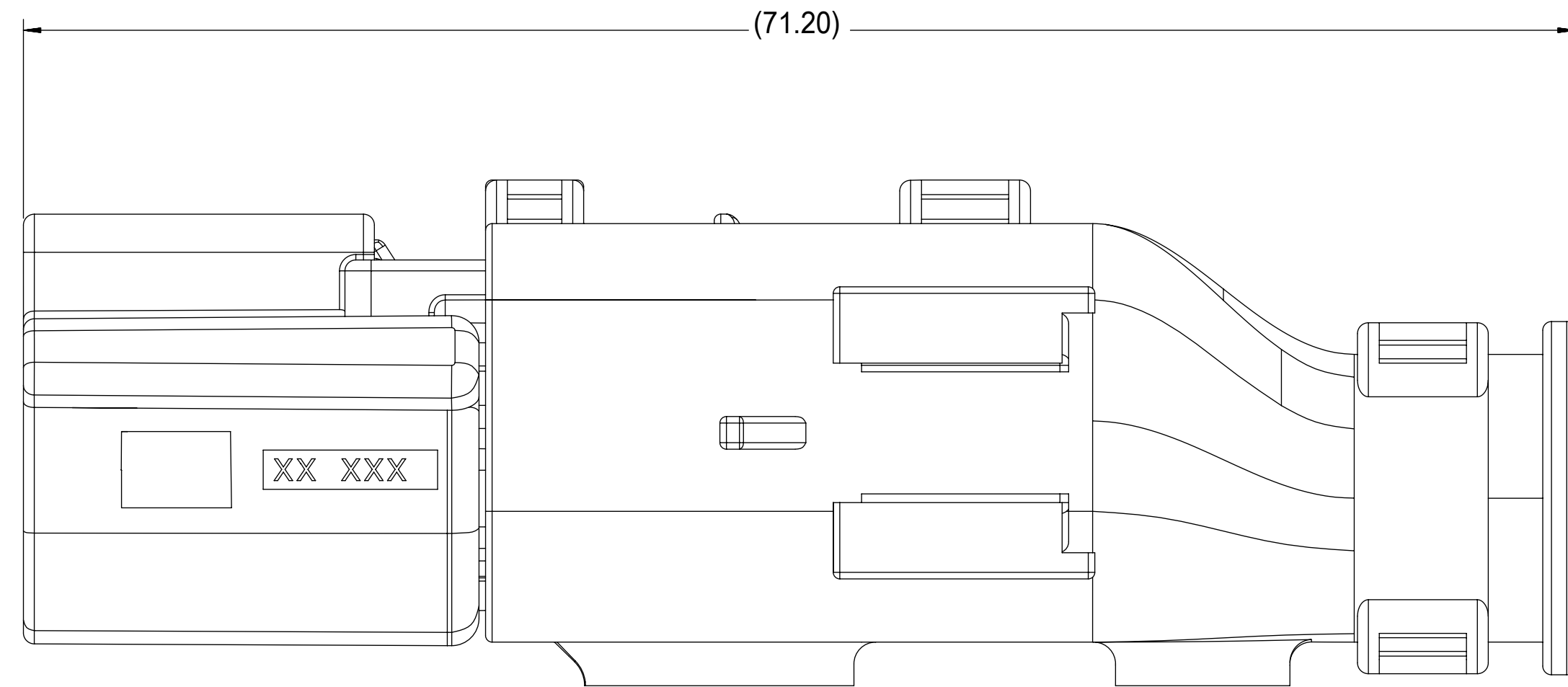
DOCUMENT STATUS	P1	RELEASE DATE	2020/08/26	07:23:52
-----------------	----	--------------	------------	----------

SHEET DESCRIPTION

BACKSHELL CONFIGURATIONS

CHARTED DIMENSIONS

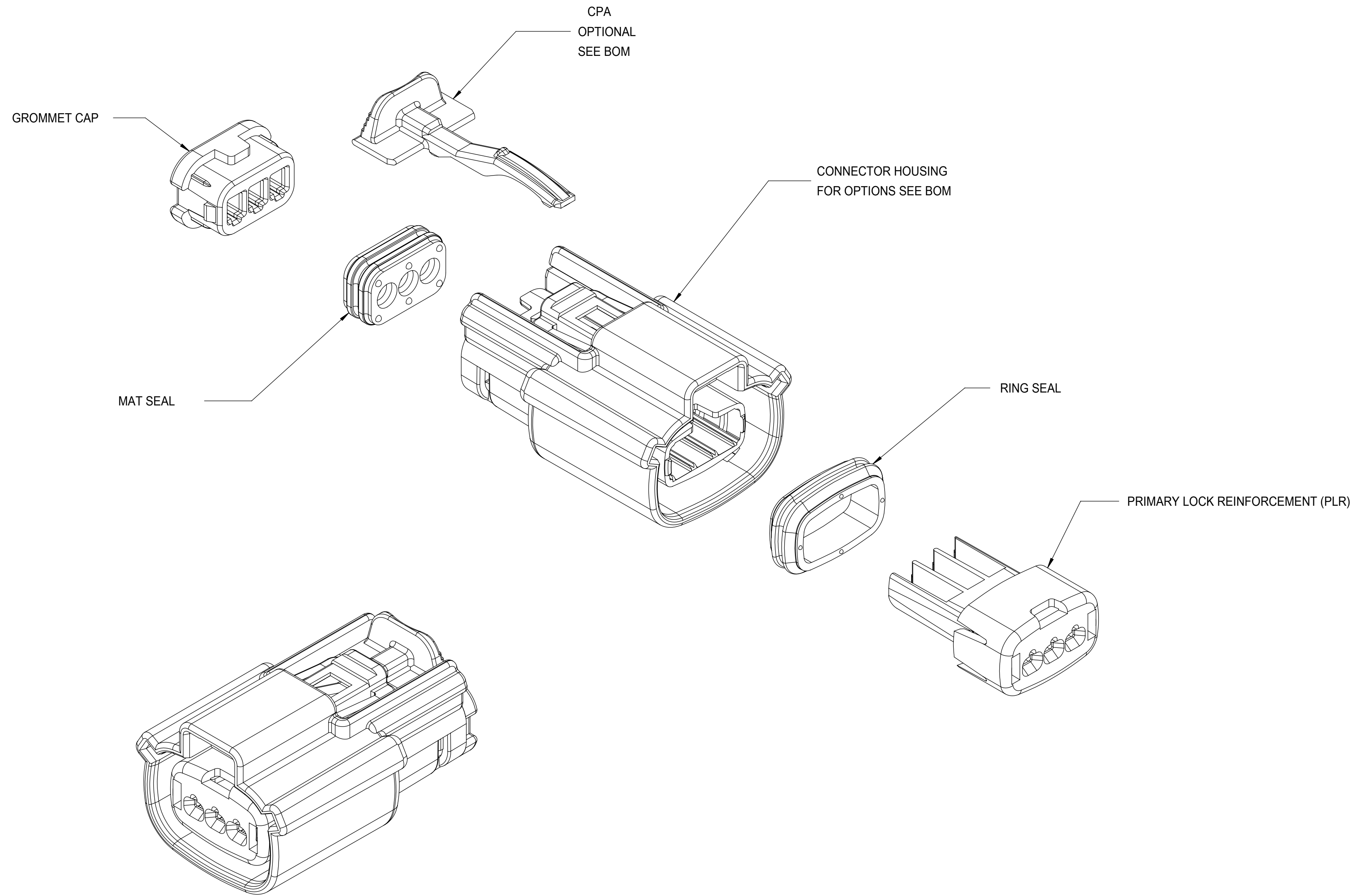
DESCRIPTION	DIMENSIONS
	G
1X2	



RECEPTACLE SEALED ASSEMBLY WITH RECEPTACLE BACKSHELL

FUNCTIONAL SYMBOLS FA = 0 FC = 0 FD = 0	THIS DRAWING CONTAINS INFORMATION THAT IS PROPRIETARY TO MOLEX ELECTRONIC TECHNOLOGIES, LLC AND SHOULD NOT BE USED WITHOUT WRITTEN PERMISSION		CURRENT REV DESC:		molex		
	DIMENSION UNITS mm	SCALE 4:1					
DIVISIONAL SYMBOLS	GENERAL TOLERANCES (UNLESS SPECIFIED)		EC NO: 643941		MX150 RCPT SINGLE ROW SEALED ASSY MAT SEAL		
	ANGULAR TOL ± 1.0°		DRWN: XLDONG03 2020/08/21				
	4 PLACES ±	CHK'D: JDENG02 2020/08/26		PRODUCT CUSTOMER DRAWING			
	3 PLACES ±	APPR: JDENG02 2020/08/26					
	2 PLACES ± 0.1	INITIAL REVISION:					
1 PLACE ± 0.2	DRWN: APROFFITT 2015/11/04		DOCUMENT NUMBER	DOC TYPE	DOC PART	REVISION	
0 PLACES ±	APPR: KDEKOSKI 2016/06/14		SD-33471-0001	PSD	001	A1	
DRAFT WHERE APPLICABLE MUST REMAIN WITHIN DIMENSIONS		THIRD ANGLE PROJECTION	DRAWING D-SIZE	SERIES 33471	MATERIAL NUMBER SEE NOTE 2a	CUSTOMER GENERAL MARKET	SHEET NUMBER 8 OF 8

TABLE OF CONTENTS	
SHEET NO.	SHEET DESCRIPTION
1	NOTES
2	KEY CONFIGURATIONS
3	RECEPTACLE SEALED ASSEMBLY
4	BACKSHELL NOTES
5	BACKSHELL
6	BACKSHELL CONFIGURATION
7	BOM



NOTES: VALID UNLESS OTHERWISE SPECIFIED

1. GENERAL:
- a. APPLICATION SPECIFICATION SEE: AS-33472-100
 -CONTAINS: PRODUCT INTRODUCTION, PRODUCT SUMMARY, CONNECTOR ASSEMBLY, PACKAGING INFORMATION, CONNECTOR MATING, SERVICE INSTRUCTIONS, ELECTRICAL CONTINUITY CHECKING, CRIMPING, AND TROUBLESHOOTING.
 -DESIGNED TO MATE WITH DEVICE CONNECTION AS SPECIFIED IN DRAWING EWCAP 150-S-003-1-Z05, AVAILABLE AT <http://ewcap.uscarteams.org/>.
 -DESIGNED TO MATE WITH BLADE SEALED ASSEMBLY AS SPECIFIED IN DRAWING SD-33481-031
 -FOR 1.5mm RECEPTACLE TERMINALS TO BE USED WITH THIS ASSEMBLY. SEE MOLEX DRAWING SD-33012-002.
 -SYSTEM TO BE USED WITH WIRE WITHIN DIAMETER RANGE OF 1.2 mm TO 2.69 mm.
 -ASSEMBLY SHIPPED WITH PLR AND CPA IN PRE-LOCK POSITION (SEE SECTION Z-Z PRE-LOCK).
 -IN THE EVENT THAT THE PLR IS FOUND IN THE SEATED (FINAL LOCK) POSITION, REFER TO MOLEX SPECIFICATION PS-34646-001, AVAILABLE AT www.molex.com <http://www.molex.com>.
 -ASSEMBLY CONFORMS TO SAE/USCAR-2 REV.4 WITH THE FOLLOWING EXCEPTIONS:
 ENGAGEMENT FORCE TO MOVE CPA FROM PRE-LOCK TO FINAL LOCK POSITION WHEN UNMATED: 40N MIN.
 DISENGAGEMENT FORCE TO MOVE CPA FROM FINAL LOCK TO PRE-LOCK POSITION: 3N MIN, 40N MAX
 TERMINAL INSERTION FORCE FOR WIRE DIAMETER ABOVE 2.5mm NOT EXCEEDING 2.69mm SHALL NOT EXCEED 40 NEWTONS.
- b. PRODUCT SPECIFICATION SEE: PS-33471-000
 CONTAINS: PRODUCT INTRODUCTION, PRODUCT SUMMARY, RATINGS (CURRENT, TEMPERATURE, SEALING, AND FLAMMABILITY), AND PRODUCT VALIDATION.
- c. PACKAGING SPECIFICATION PER MOLEX DRAWING: PK-31300-635
- d. PARTS MUST BE IN COMPLIANCE TO MOLEX CHEMICAL SUBSTANCES FOR PRODUCTS AND PACKAGING SPECIFICATION: ES-40000-5016
- e. DATA MUST BE SUBMITTED UNDER THE MOLEX PART NUMBER TO IMDS (COMPANY ID#13255)
2. DESIGN - MATERIALS:
- a. CONNECTOR HOUSING, GROMMET CAP, PLR: SPS/NYLON BLEND 20% GLASS FILLED
 CPA: PBT 20% GLASS FILLED
 MAT SEAL, RING SEAL: INHERENTLY LUBRICATED SILICONE
3. DESIGN - GEOMETRY:
- a. THIS IS A 100% CAD GENERATED PART. THE CAD MATHEMATICAL DATA IS THE MASTER FOR THIS PART. FOR DIMENSIONAL OR ANY INFORMATION NOT SHOWN ON THIS DRAWING, ANALYZE THE CAD MODEL.
- b. GEOMETRIC DIMENSIONS AND TOLERANCES PER ASME Y14.5M - 1994
- c. EDGES AND UNDIMENSIONED DETAILS PER ISO13715
- d. CORNERS SHOWN AS SHARP TO BE R 0.2 MAX.
- e. LETTERING SHALL BE 0.15 MAX RAISED IN 0.25 MAX RECESS PAD. THIS INCLUDES RECYCLING CODE, CAVITY ID, VENDOR IDENTIFICATION, AND CUSTOMER MATERIAL NUMBER.
- f. VISUAL DEFECTS SHALL MEET COSMETIC STANDARD PS-45499-002 (Class B)
- g. LASER MARKING: TBD

MODELS USED

- EM-33471-301
- EM-33471-302
- EM-33471-303
- EM-33471-304

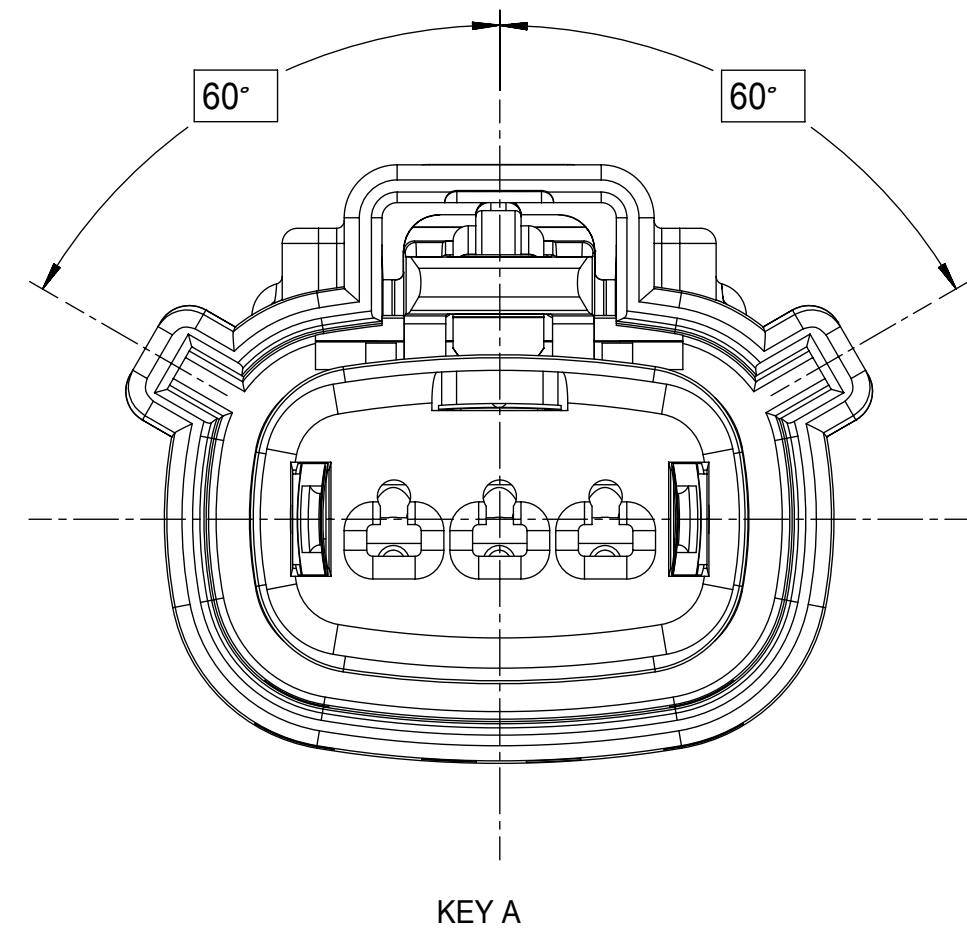
INSPECTION NUMBER LOG

- LAST NUMBER USED: 5
- ADDED:
- REMOVED:

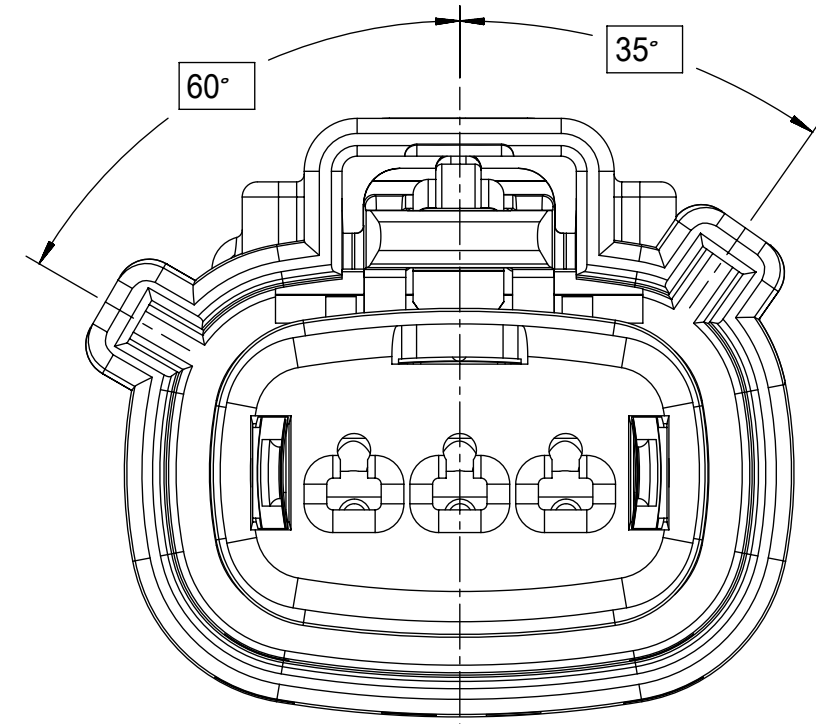
R	UPDATED THE DRAWING FRAME
Q7	ADD NEW P/NS 33471-33XX
Q6	UPDATED VIEWS
Q5	ADD BACKSHELL CONFIGURATION
Q4	ADD NEW P/N 33471-0347
Q3	334710345 IS SAME AS 334710340 SO VOID 334710345
Q2	CHANGE THE STATUS TO SALEABLE
Q1	UPDATED NOTES
Q	REDRAWN
REV	DESCRIPTION

FUNCTIONAL SYMBOLS	THIS DRAWING CONTAINS INFORMATION THAT IS PROPRIETARY TO MOLEX ELECTRONIC TECHNOLOGIES, LLC AND SHOULD NOT BE USED WITHOUT WRITTEN PERMISSION		CURRENT REV DESC:					
	DIMENSION UNITS	SCALE						
$\frac{F}{A} = 0$	mm	3:1			EC NO: 643941 DRWN: XLDONG03 2020/08/21 CHK'D: JDENG02 2020/08/26 APPR: JDENG02 2020/08/26			
$\frac{F}{C} = 0$	GENERAL TOLERANCES (UNLESS SPECIFIED)							
$\frac{F}{P} = 0$	ANGULAR TOL $\pm 3.0^\circ$				INITIAL REVISION: DRWN: DMARCOUX 2002/06/18 APPR: FHOLUB 2002/06/18			
	4 PLACES	\pm						
	3 PLACES	\pm			DOCUMENT NUMBER: SD-33471-031 DOC TYPE: PSD DOC PART: 001 REVISION: R			
	2 PLACES	± 0.1						
	1 PLACE	± 0.3			MATERIAL NUMBER: SEE BOM CUSTOMER: GENERAL MARKET SHEET NUMBER: 1 OF 7			
	0 PLACES	\pm						
DRAFT WHERE APPLICABLE MUST REMAIN WITHIN DIMENSIONS			THIRD ANGLE PROJECTION	DRAWING	SERIES			
				D-SIZE	33471			

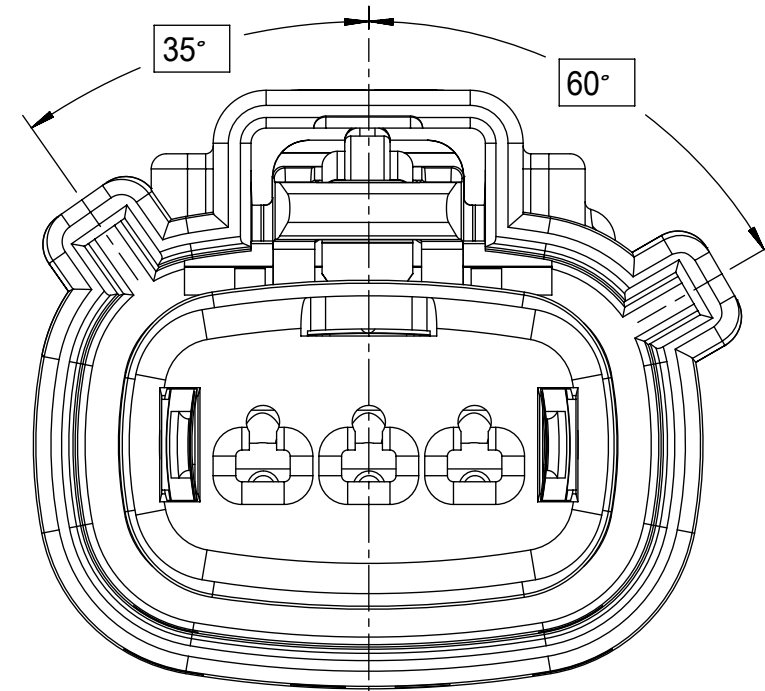
KEY CONFIGURATIONS



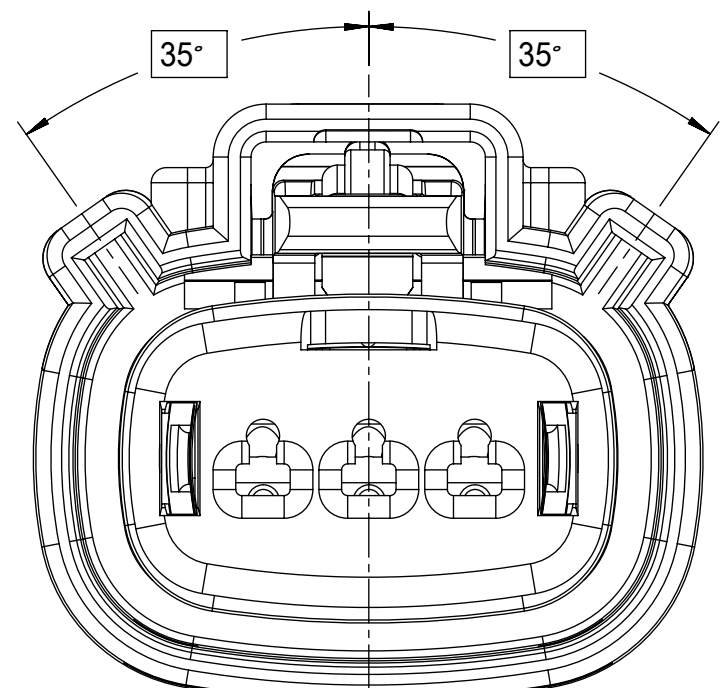
KEY A



KEY B



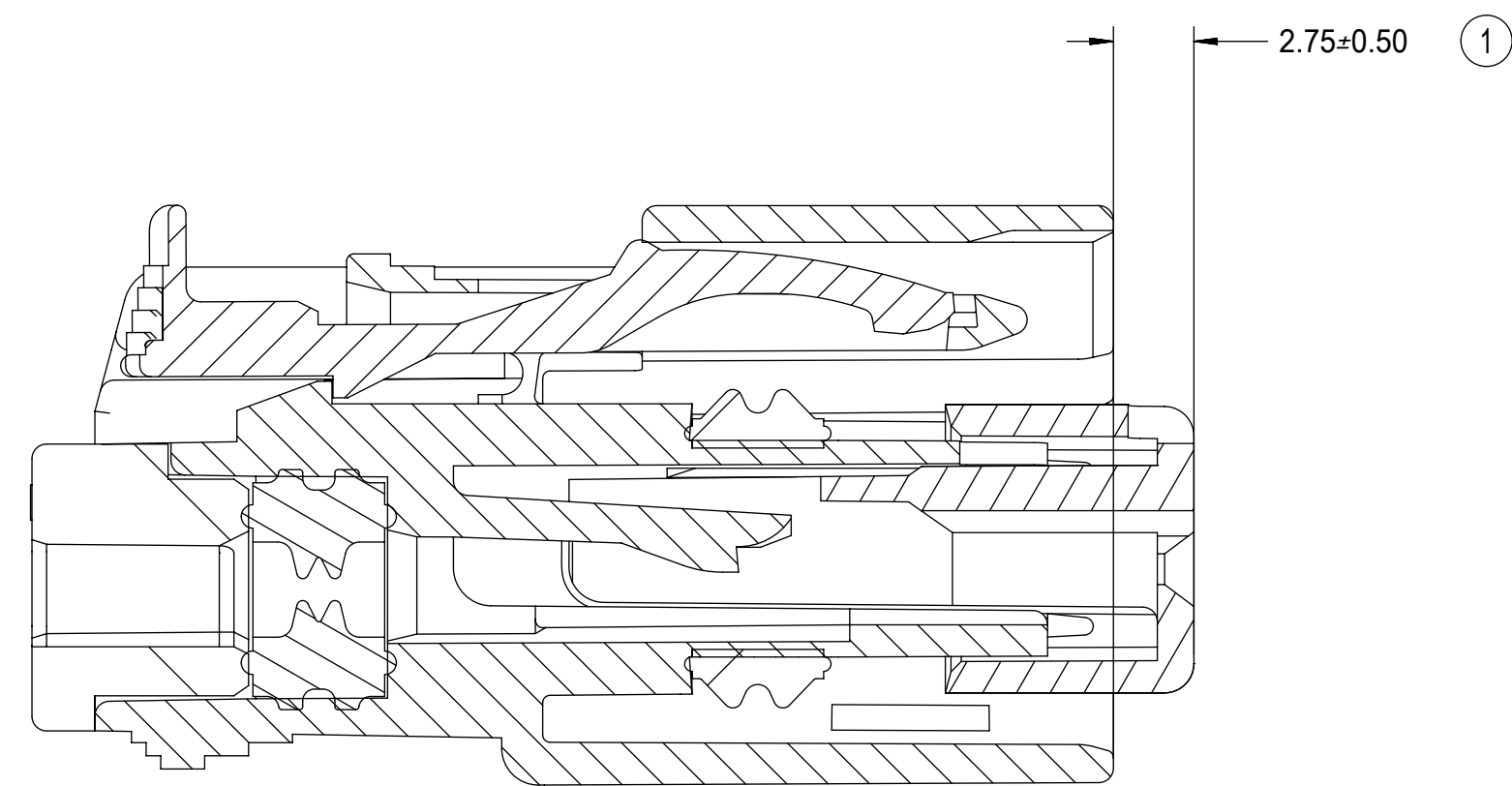
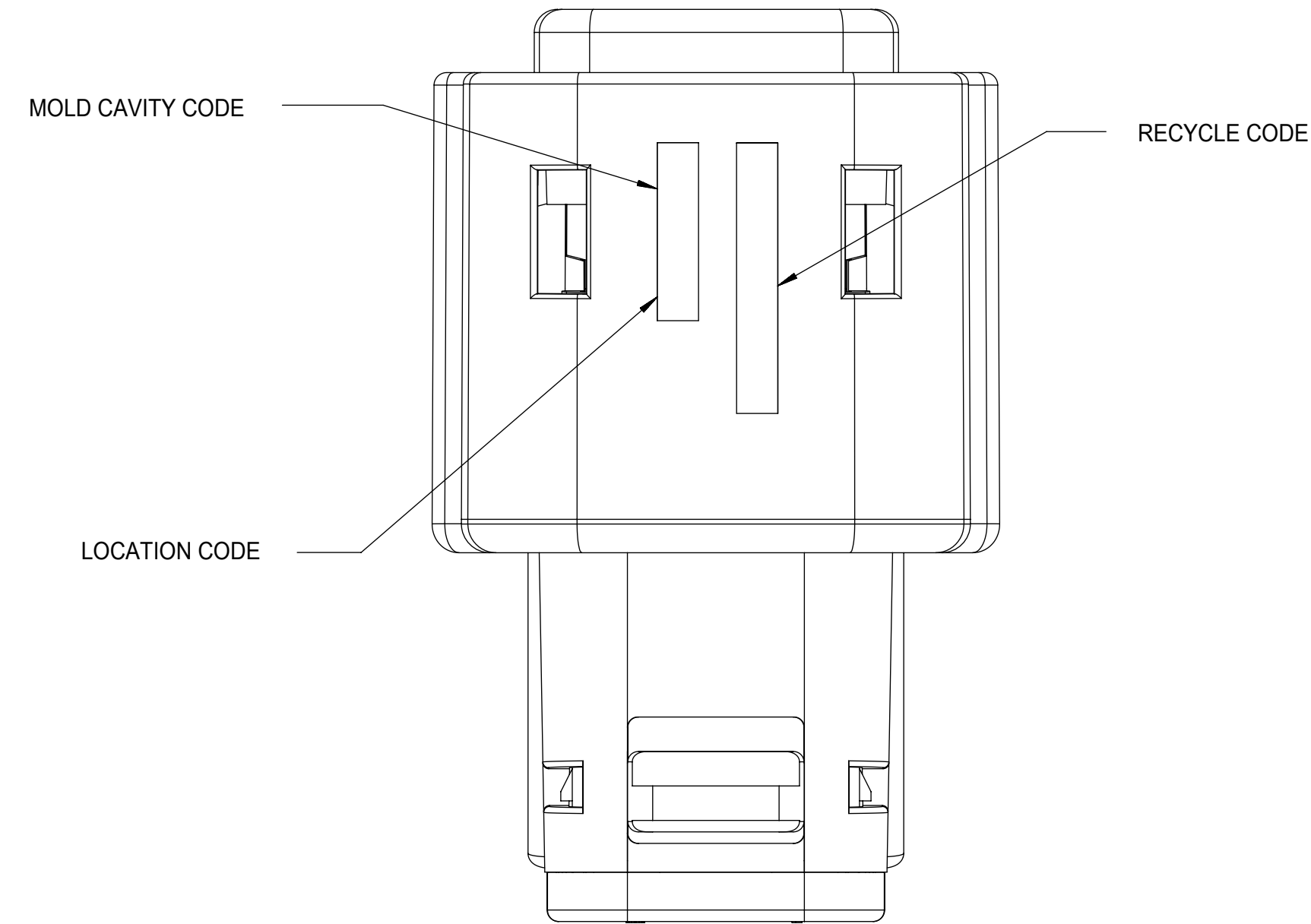
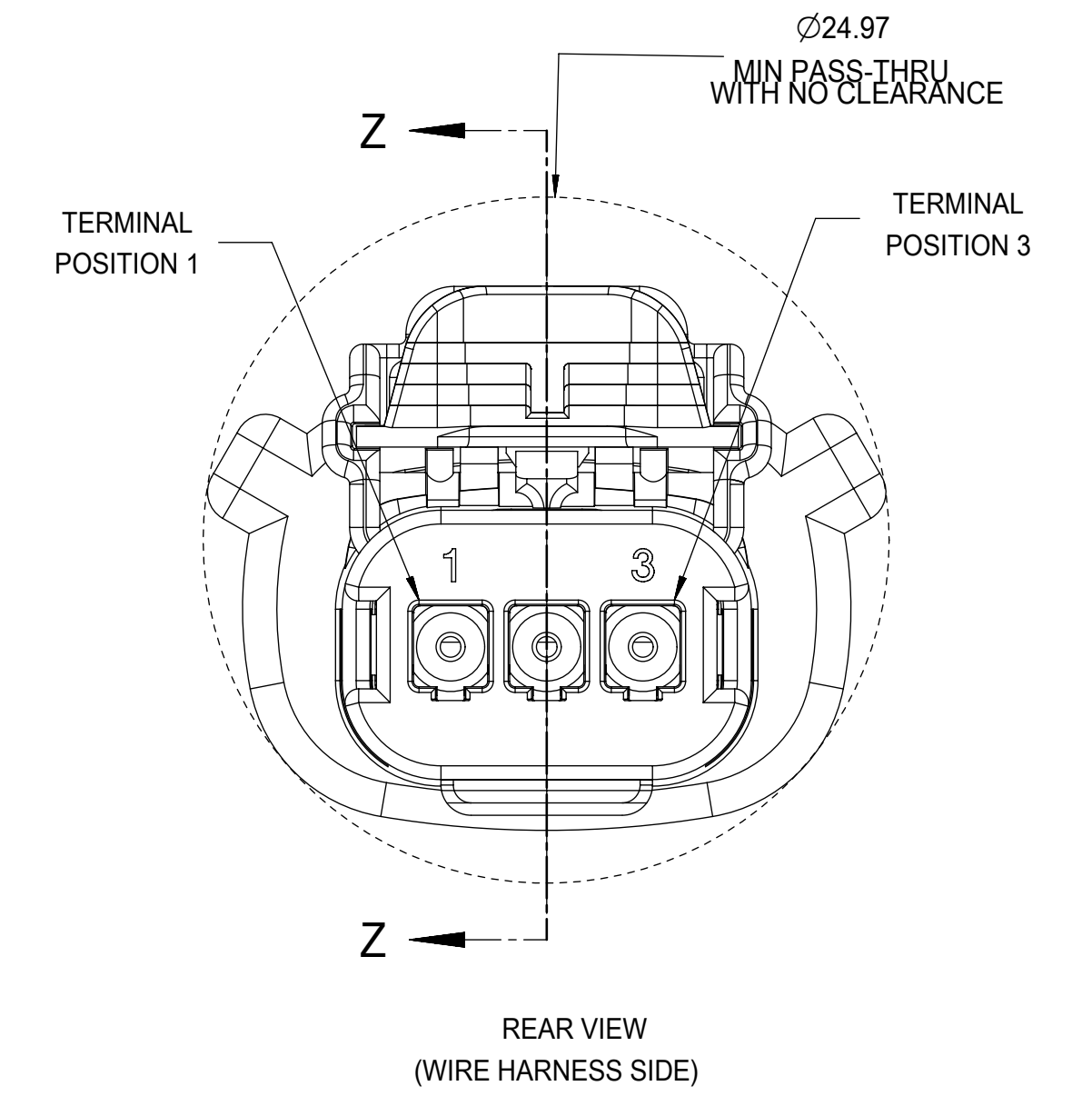
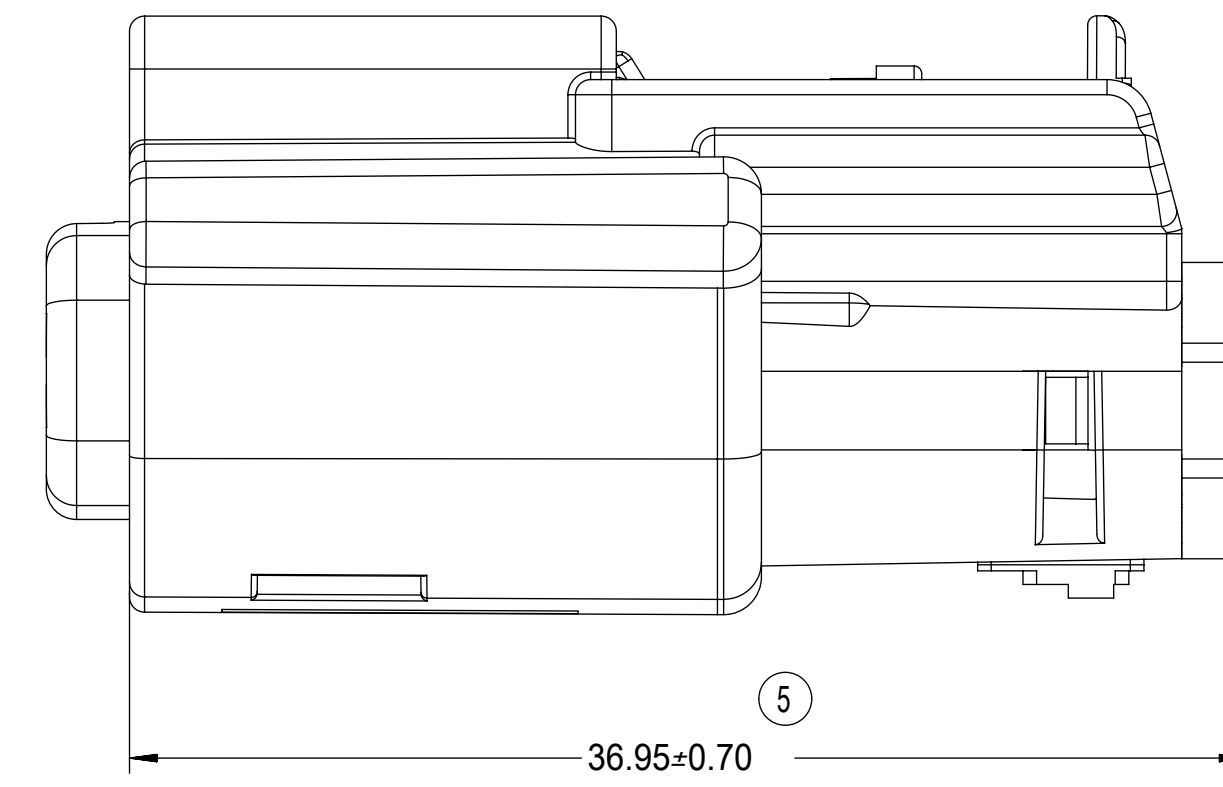
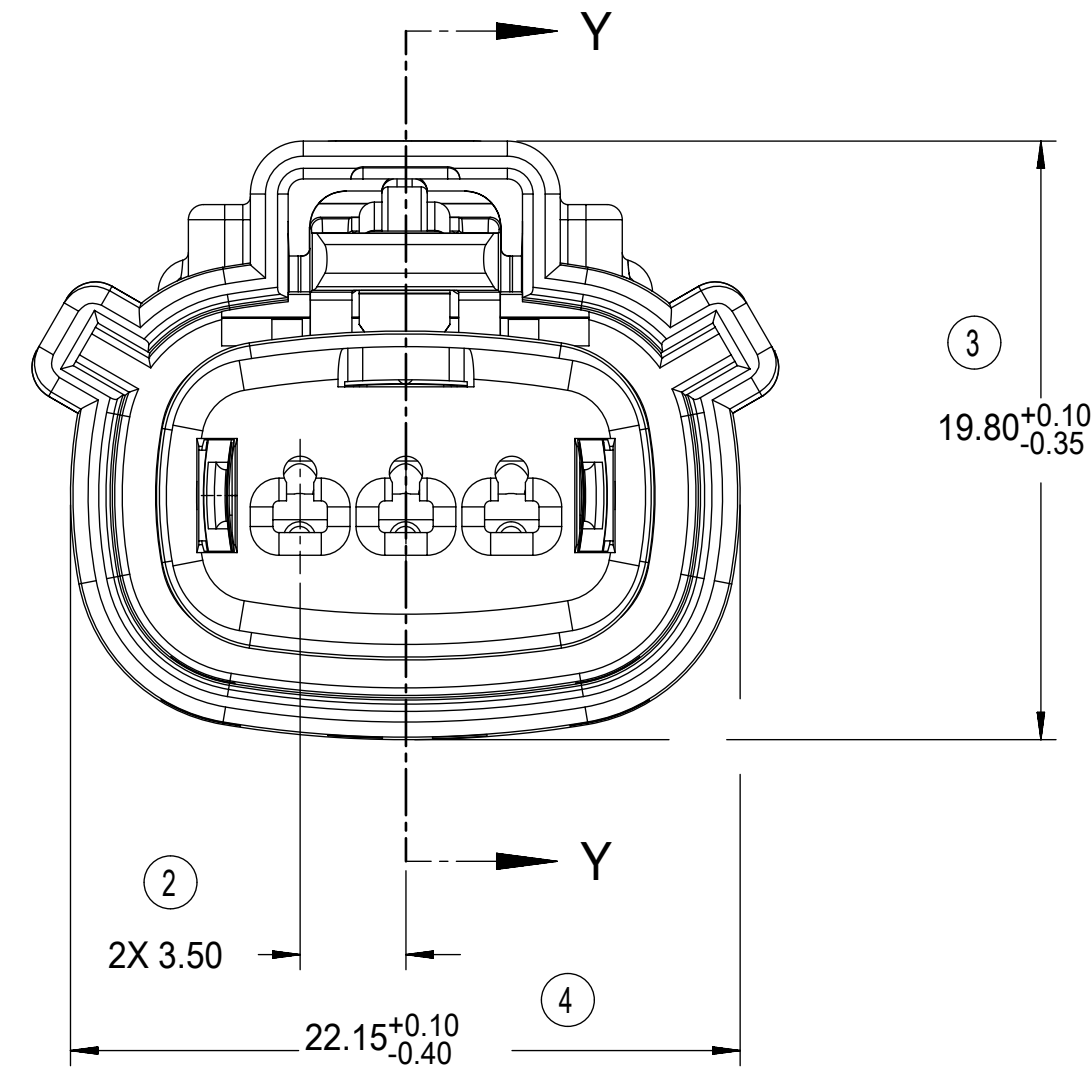
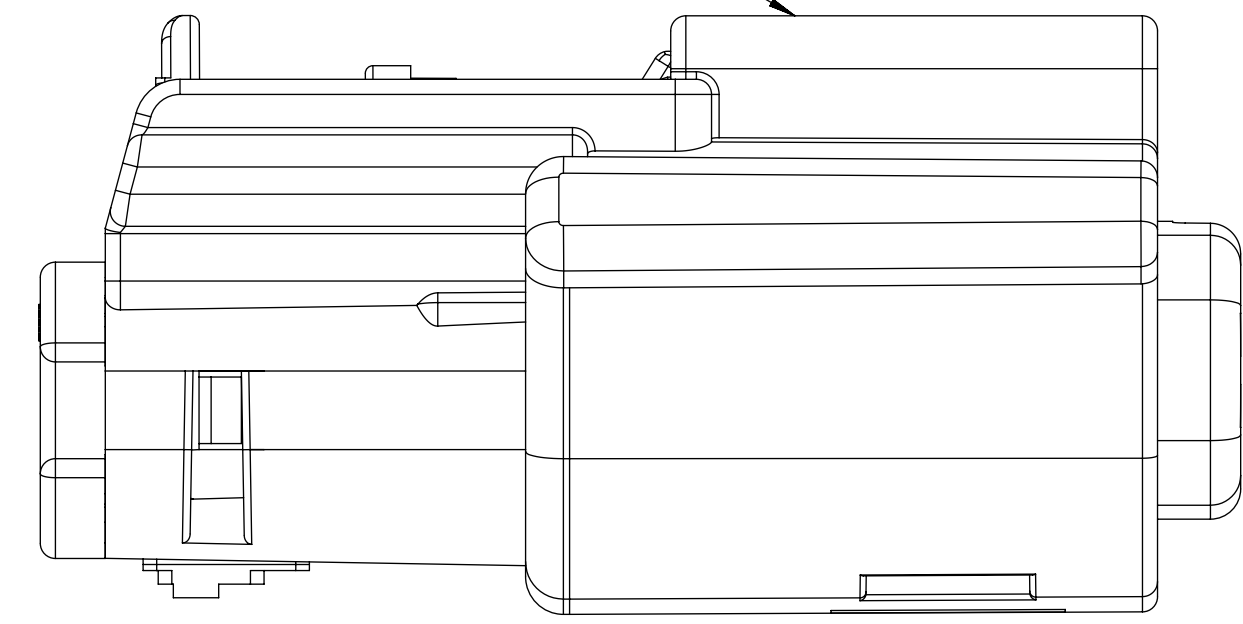
KEY C



KEY D

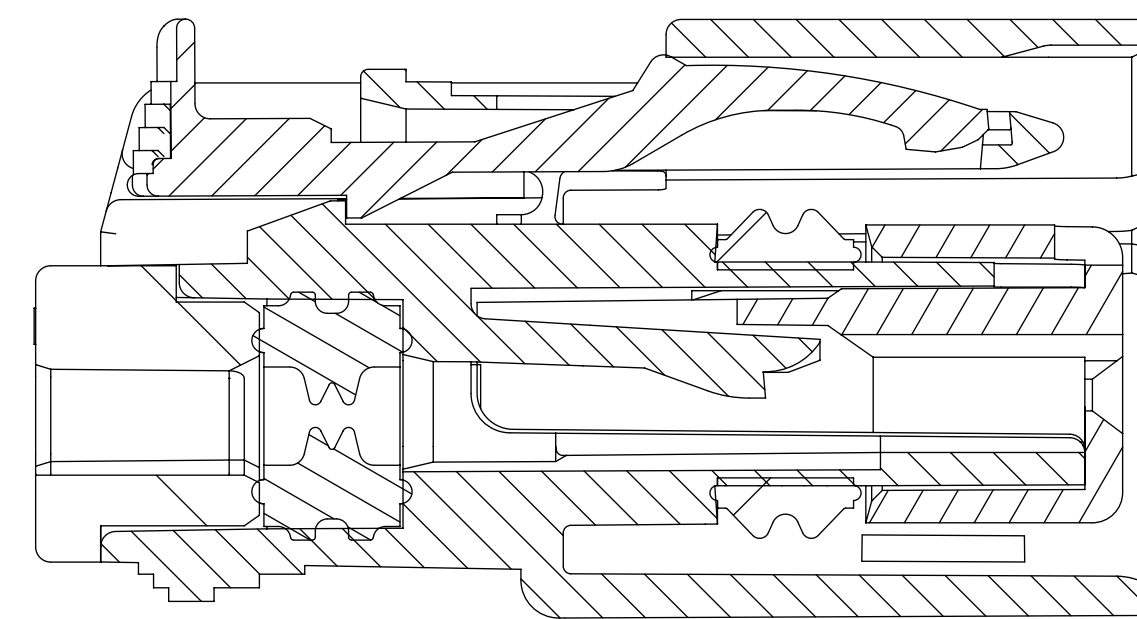
FUNCTIONAL SYMBOLS	THIS DRAWING CONTAINS INFORMATION THAT IS PROPRIETARY TO MOLEX ELECTRONIC TECHNOLOGIES, LLC AND SHOULD NOT BE USED WITHOUT WRITTEN PERMISSION		
	DIMENSION UNITS	SCALE	CURRENT REV DESC:
$\nabla_A = 0$	mm	4:1	EC NO: 643941 DRWN: XLDONG03 2020/08/21 CHK'D: JDENG02 2020/08/26 APPR: JDENG02 2020/08/26
$\nabla_C = 0$	GENERAL TOLERANCES (UNLESS SPECIFIED)		
	ANGULAR TOL $\pm 3.0^\circ$		
DIVISIONAL SYMBOLS	4 PLACES	\pm	
	3 PLACES	\pm	
	2 PLACES	± 0.1	
	1 PLACE	± 0.3	
	0 PLACES	\pm	
DRAFT WHERE APPLICABLE MUST REMAIN WITHIN DIMENSIONS		THIRD ANGLE PROJECTION	DRAWING
			D-SIZE
		SERIES	33471
		MATERIAL NUMBER	SEE BOM
		CUSTOMER	GENERAL MARKET
		DOCUMENT NUMBER	SD-33471-031
		DOC TYPE	PSD
		DOC PART	001
		REVISION	R
		SHEET NUMBER 2 OF 7	

LASER MARKING ON THIS SURFACE
SEE NOTE 3g.



PRIMARY LOCK REINFORCEMENT (PLR) SHOWN
IN PRE-STAGED POSITION

SECTION Z-Z

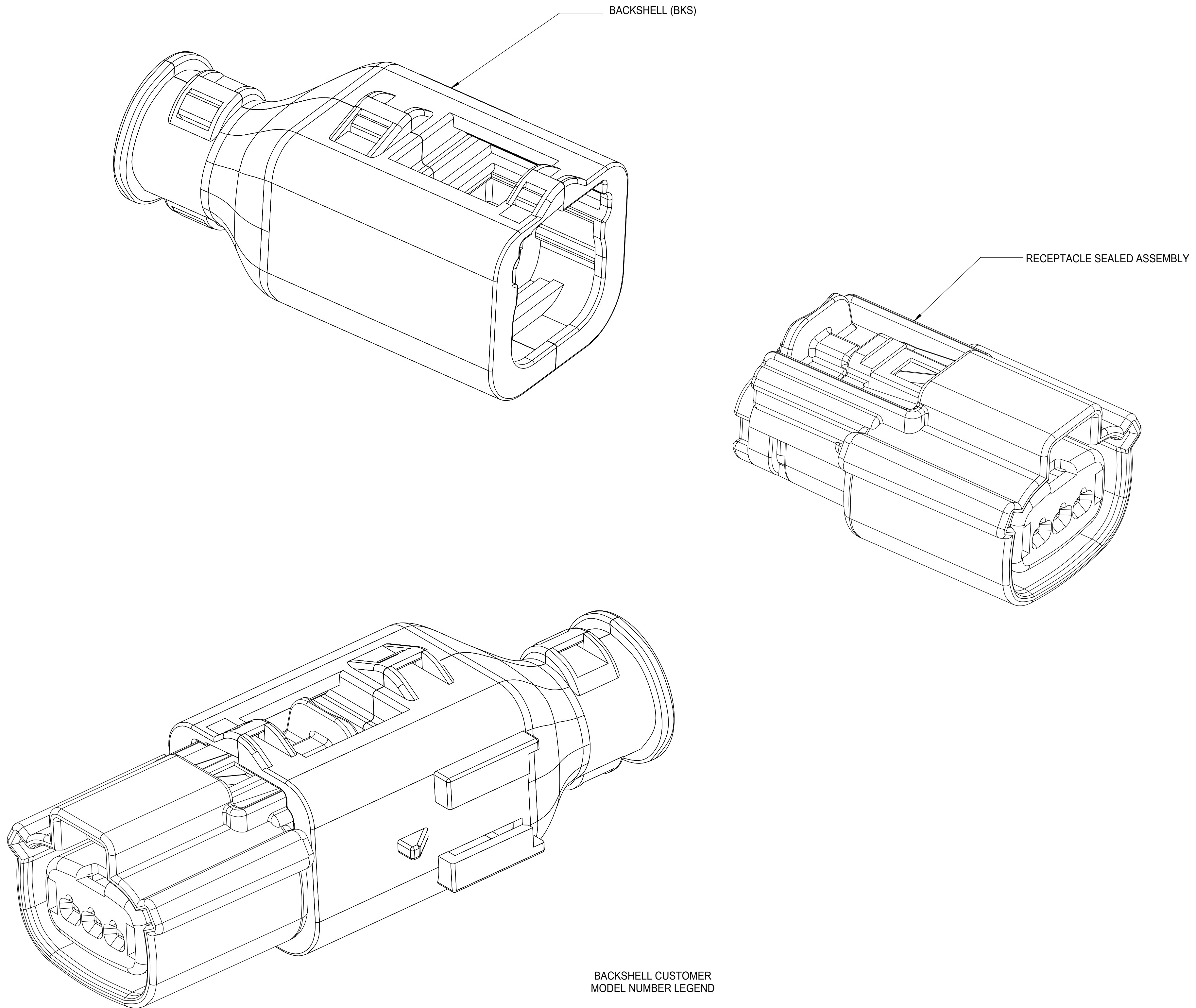


PRIMARY LOCK REINFORCEMENT (PLR) SHOWN
IN FINAL LOCK POSITION

SECTION Y-Y

FUNCTIONAL SYMBOLS FA = 0 FE = 0 FP = 0 DIVISIONAL SYMBOLS	THIS DRAWING CONTAINS INFORMATION THAT IS PROPRIETARY TO MOLEX ELECTRONIC TECHNOLOGIES, LLC AND SHOULD NOT BE USED WITHOUT WRITTEN PERMISSION		CURRENT REV DESC:		 MX150 1X3 RECEPTACLE SEALED ASSEMBLY MAT SEAL PRODUCT CUSTOMER DRAWING		
	DIMENSION UNITS	SCALE	EC NO: 643941				
	mm	4:1	DRWN: XLDONG03	2020/08/21			
	GENERAL TOLERANCES (UNLESS SPECIFIED)		CHK'D: JDENG02	2020/08/26			
	ANGULAR TOL ± 3.0°		APPR: JDENG02	2020/08/26			
4 PLACES ±		INITIAL REVISION:		DOCUMENT NUMBER	DOC TYPE	DOC PART	REVISION
3 PLACES ±		DRWN: DMARCOUX	2002/06/18	SD-33471-031	PSD	001	R
2 PLACES ± 0.1		APPR: FHOLUB	2002/06/18	SEE BOM	GENERAL MARKET		SHEET NUMBER
1 PLACE ± 0.3		DRAFT WHERE APPLICABLE MUST REMAIN WITHIN DIMENSIONS		DRAWING	SERIES	MATERIAL NUMBER	CUSTOMER
0 PLACES ±		THIRD ANGLE PROJECTION		D-SIZE	33471	SEE BOM	GENERAL MARKET
						3 OF 7	

BACKSHELL NOTES



BACKSHELL NOTES: VALID UNLESS OTHERWISE SPECIFIED

1. GENERAL:
- a. APPLICATION SPECIFICATION SEE: AS-34951-001
 - DESIGNED TO MATE WITH RECEPTACLE SEALED ASSEMBLY SPECIFIED IN MOLEX DRAWING SD-33471-031.
 - SYSTEM TO BE USED WITH WIRE WITHIN DIAMETER RANGE OF 1.2mm TO 2.69mm.
 - COMPONENTS ARE OPTIONAL AND MUST BE PURCHASED SEPERATELY.
 - BACKSHELL DESIGN IS OWNED BY SCHLEMMER.
 - FOR ADDITIONAL INFORMATION SEE THE BACKSHELL COMPONENT DRAWING SD-34949-0001.

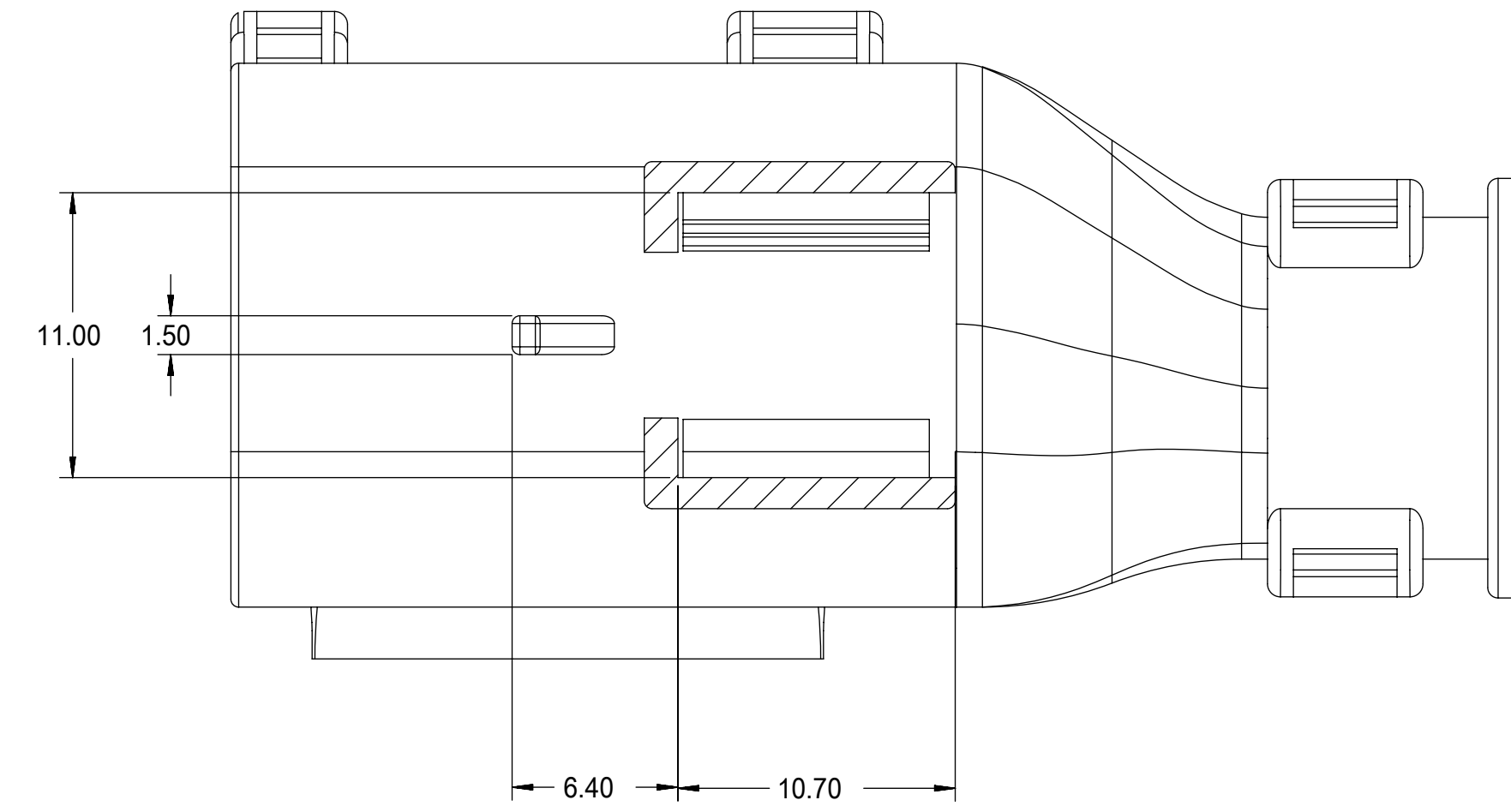
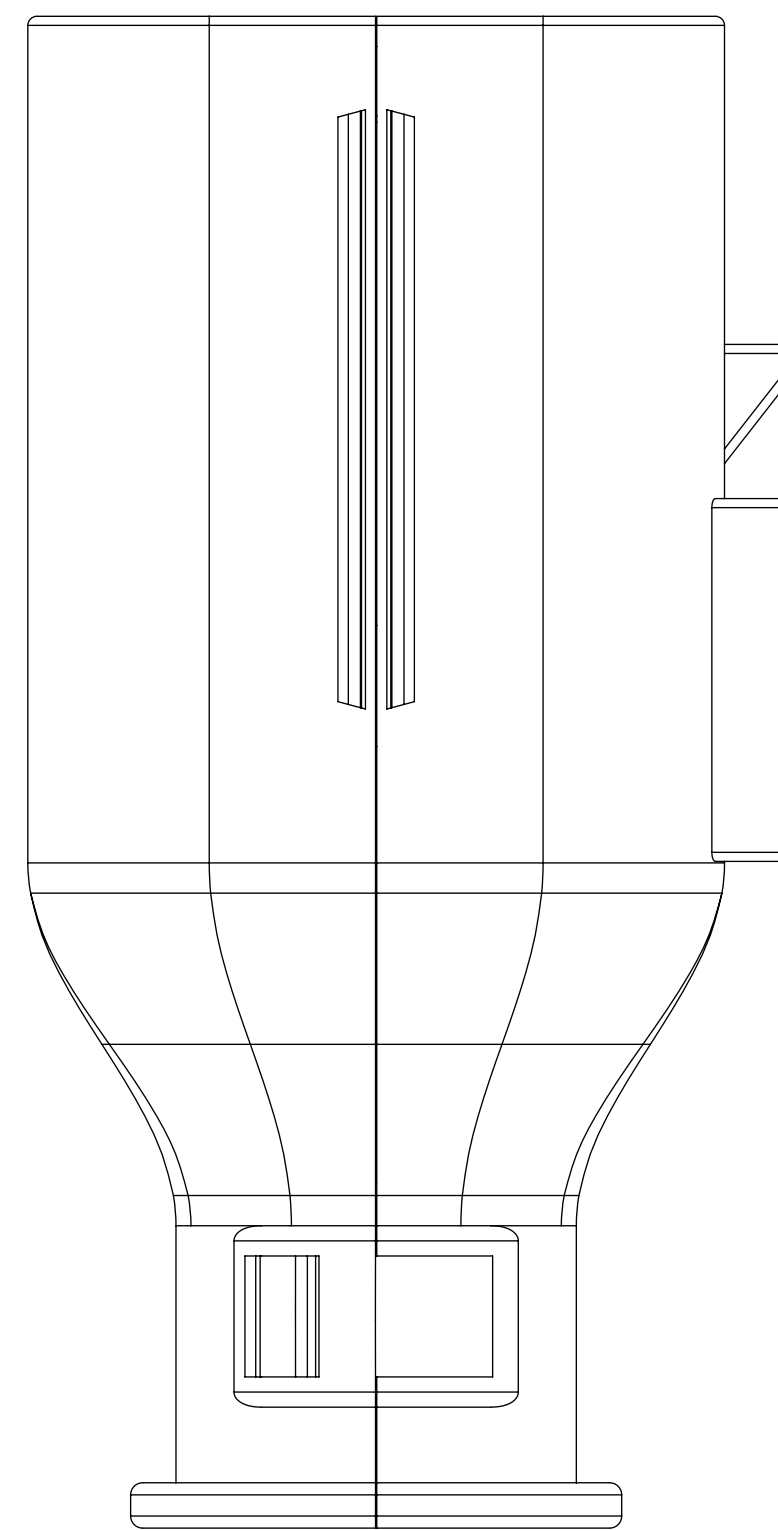
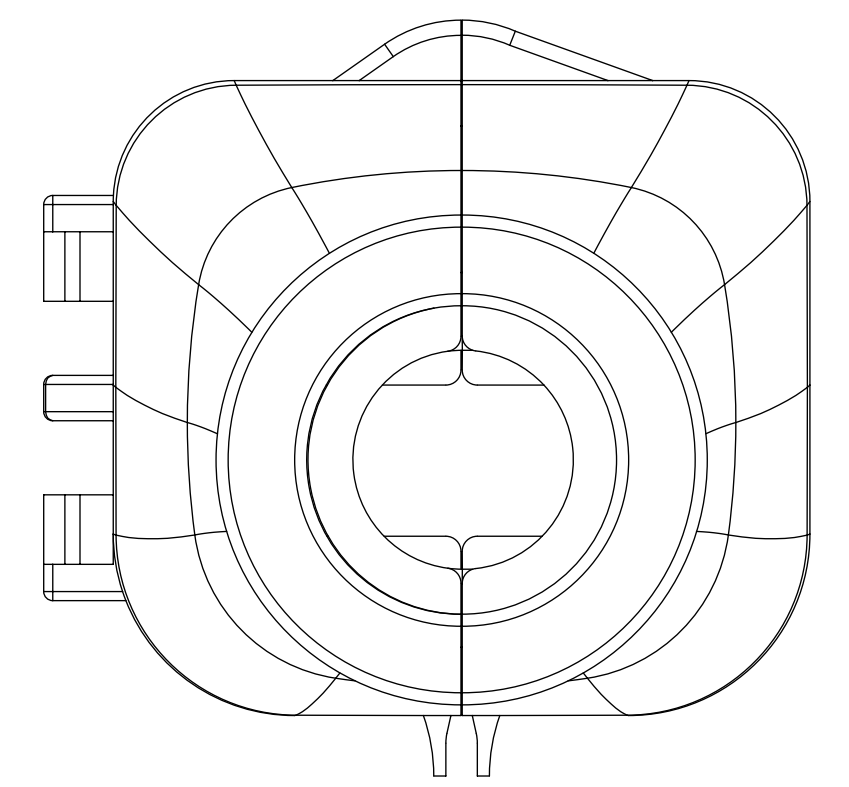
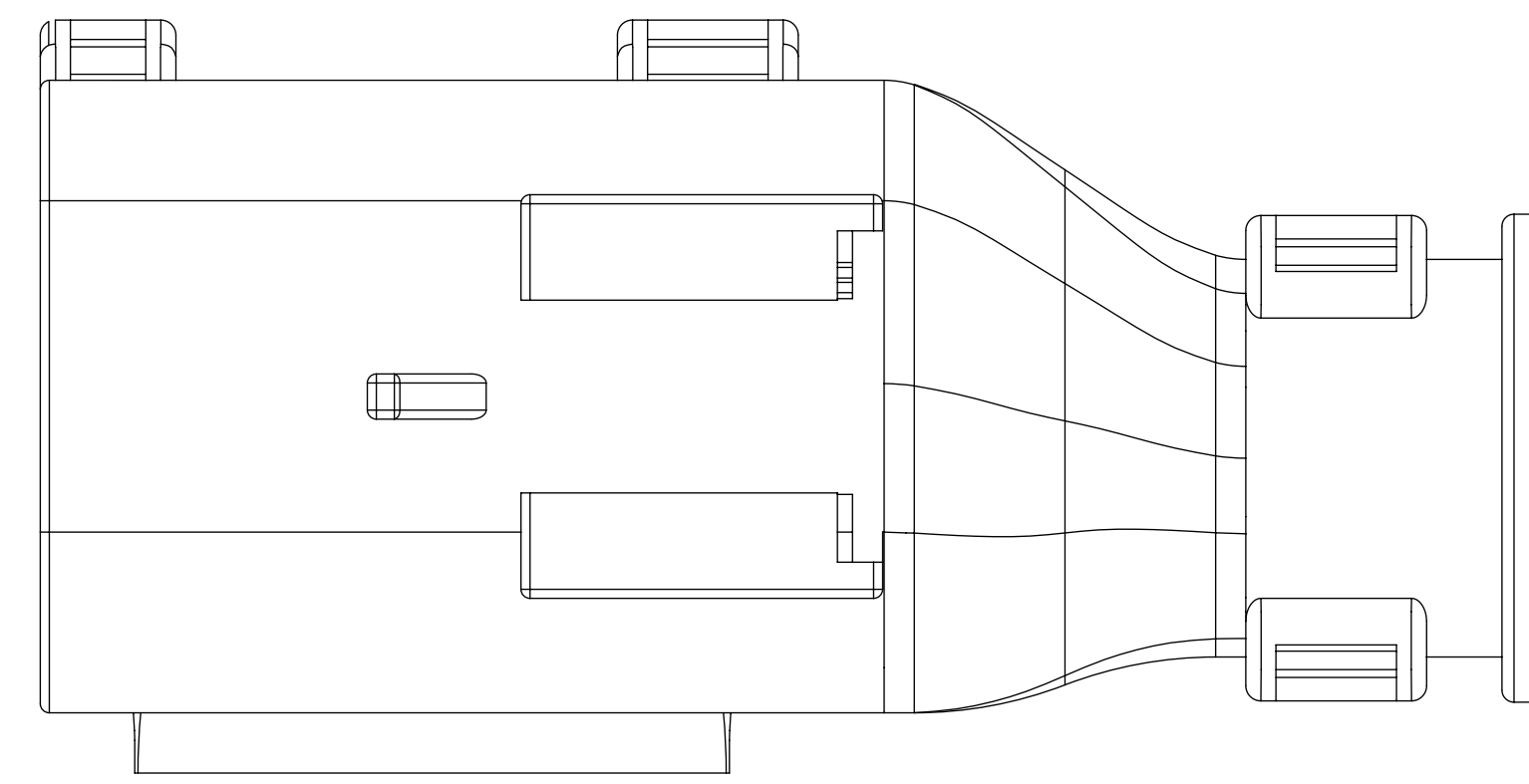
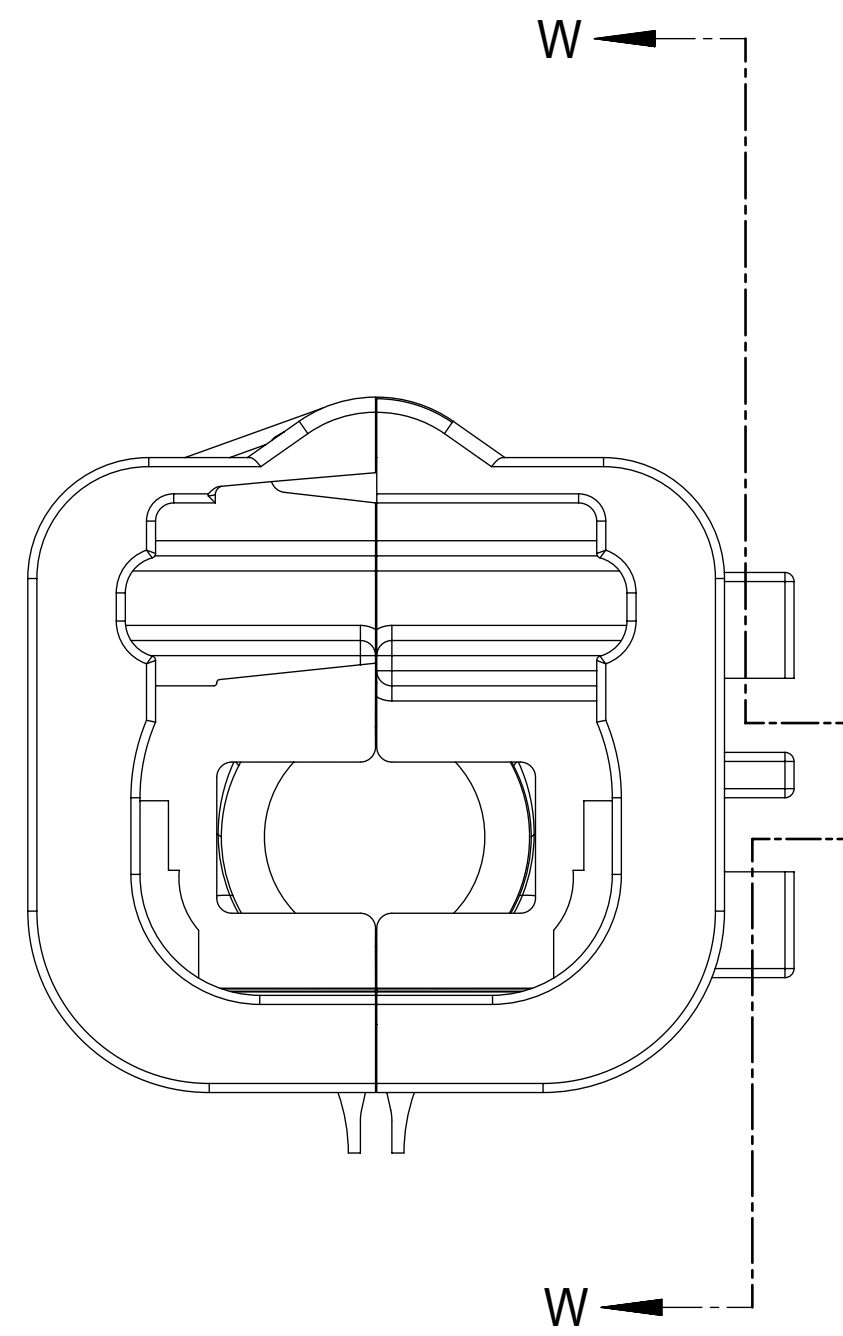
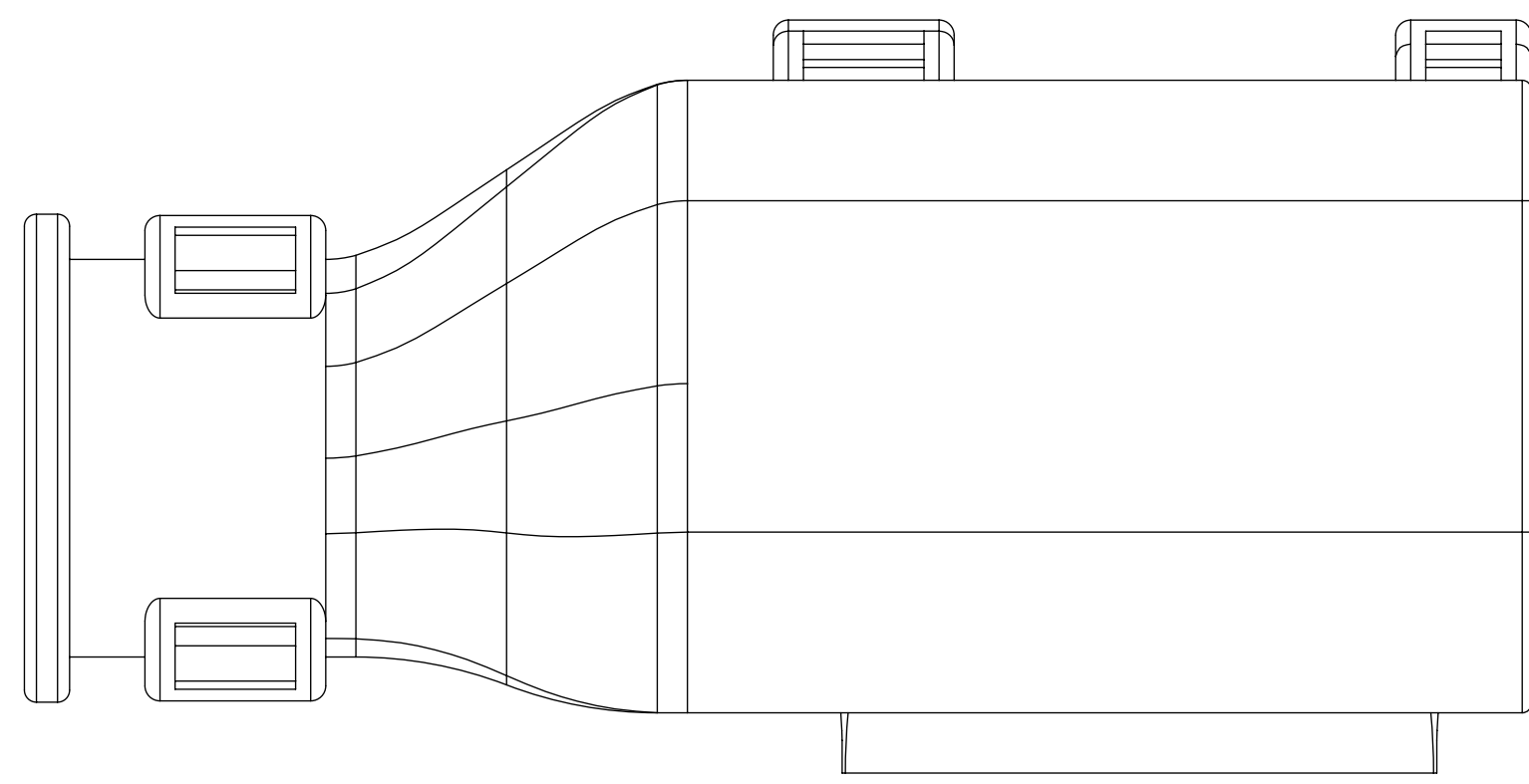
BACKSHELL CUSTOMER MODEL NUMBER LEGEND

34949-XXXX

- CUSTOMER MODEL COMPONENTS
 - 0 - BACKSHELL ONLY
 - 1 - BACKSHELL & MX150 HOUSING KEY A ASSEMBLY
 - 2 - BACKSHELL & MX150 HOUSING KEY B ASSEMBLY
 - 3 - BACKSHELL & MX150 HOUSING KEY C ASSEMBLY
 - 4 - BACKSHELL & MX150 HOUSING KEY D ASSEMBLY
- BACKSHELL FEATURES
 - 1 - WITH RIBS
 - 2 - WITHOUT RIBS
- MX150 CIRCUIT SIZE 02, 03, 04, 05, 06

FUNCTIONAL SYMBOLS $\nabla_A = 0$ $\nabla_C = 0$ $\nabla_D = 0$ DIVISIONAL SYMBOLS	THIS DRAWING CONTAINS INFORMATION THAT IS PROPRIETARY TO MOLEX ELECTRONIC TECHNOLOGIES, LLC AND SHOULD NOT BE USED WITHOUT WRITTEN PERMISSION		CURRENT REV DESC:		
	DIMENSION UNITS	SCALE	EC NO: 643941		
	mm	4:1	DRWN: XLDONG03 2020/08/21		
	GENERAL TOLERANCES (UNLESS SPECIFIED)		CHK'D: JDENG02 2020/08/26		
ANGULAR TOL $\pm 3.0^\circ$		APPR: JDENG02 2020/08/26		PRODUCT CUSTOMER DRAWING	
4 PLACES \pm		INITIAL REVISION:		DOCUMENT NUMBER	DOC TYPE
3 PLACES \pm		DRWN: DMARCOUX 2002/06/18		SD-33471-031	PSD
2 PLACES ± 0.1		APPR: FHOLUB 2002/06/18		001	R
1 PLACE ± 0.3		DRAFT WHERE APPLICABLE MUST REMAIN WITHIN DIMENSIONS		SEE BOM	GENERAL MARKET
0 PLACES \pm		THIRD ANGLE PROJECTION	DRAWING	SERIES	SHEET NUMBER
			D-SIZE	33471	4 OF 7

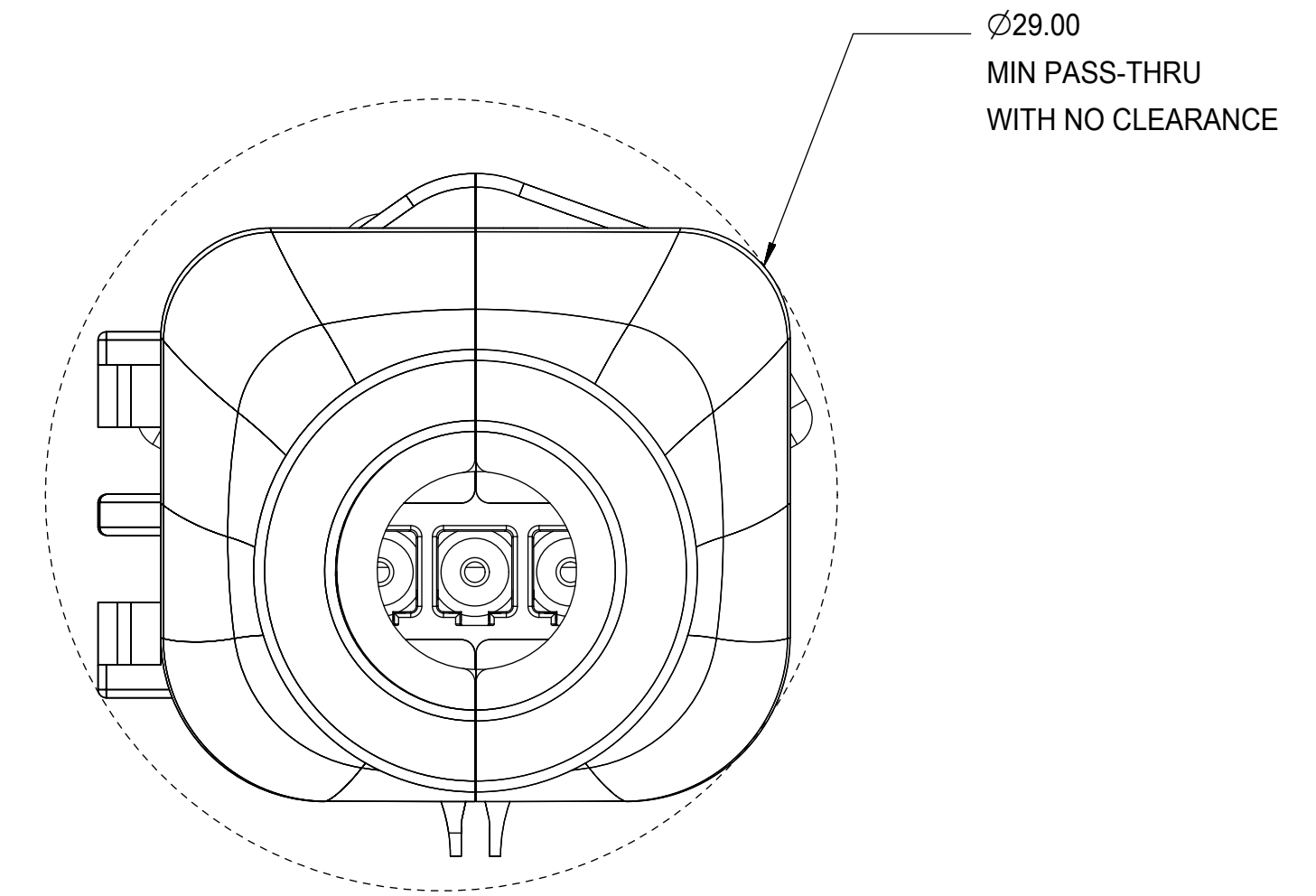
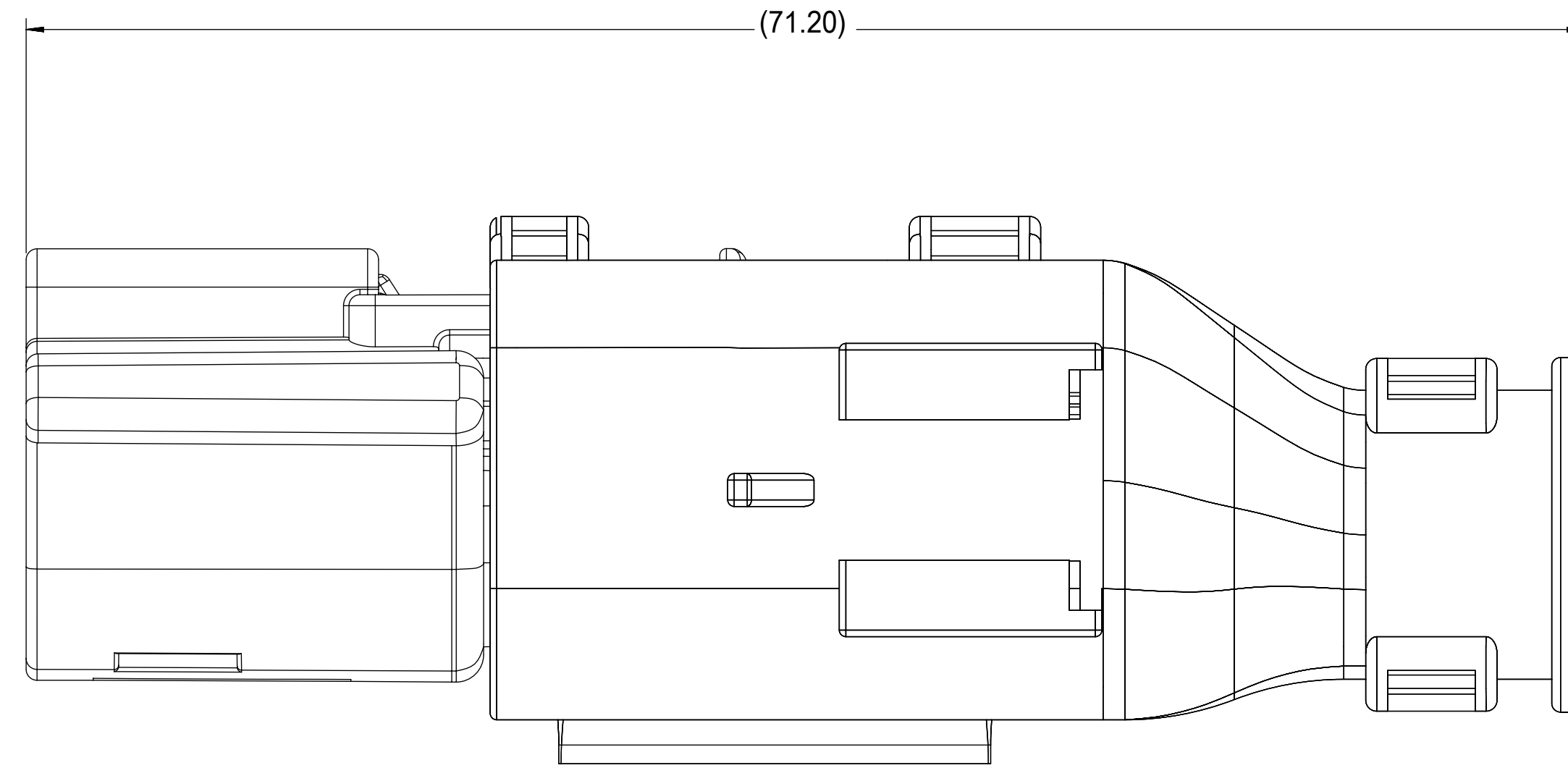
BACKSHELL
 THE VIEWS ON THIS SHEET ARE
 IN THE CLOSED UN-ASSEMBLED POSITION



SECTION W-W

FUNCTIONAL SYMBOLS $\nabla_A = 0$ $\nabla_C = 0$ $\nabla_P = 0$ DIVISIONAL SYMBOLS	THIS DRAWING CONTAINS INFORMATION THAT IS PROPRIETARY TO MOLEX ELECTRONIC TECHNOLOGIES, LLC AND SHOULD NOT BE USED WITHOUT WRITTEN PERMISSION		DIMENSION UNITS: mm SCALE: 4:1		CURRENT REV DESC:								
	GENERAL TOLERANCES (UNLESS SPECIFIED) ANGULAR TOL $\pm 3.0^\circ$		EC NO: 643941 DRWN: XLDONG03 2020/08/21 CHK'D: JDENG02 2020/08/26 APPR: JDENG02 2020/08/26		INITIAL REVISION: DRWN: DMARCOUX 2002/06/18 APPR: FHOLUB 2002/06/18						DOCUMENT NUMBER: SD-33471-031 DOC TYPE: PSD DOC PART: 001 REVISION: R		
DRAFT WHERE APPLICABLE MUST REMAIN WITHIN DIMENSIONS		THIRD ANGLE PROJECTION		DRAWING: D-SIZE		SERIES: 33471		MATERIAL NUMBER: SEE BOM		CUSTOMER: GENERAL MARKET		SHEET NUMBER: 5 OF 7	

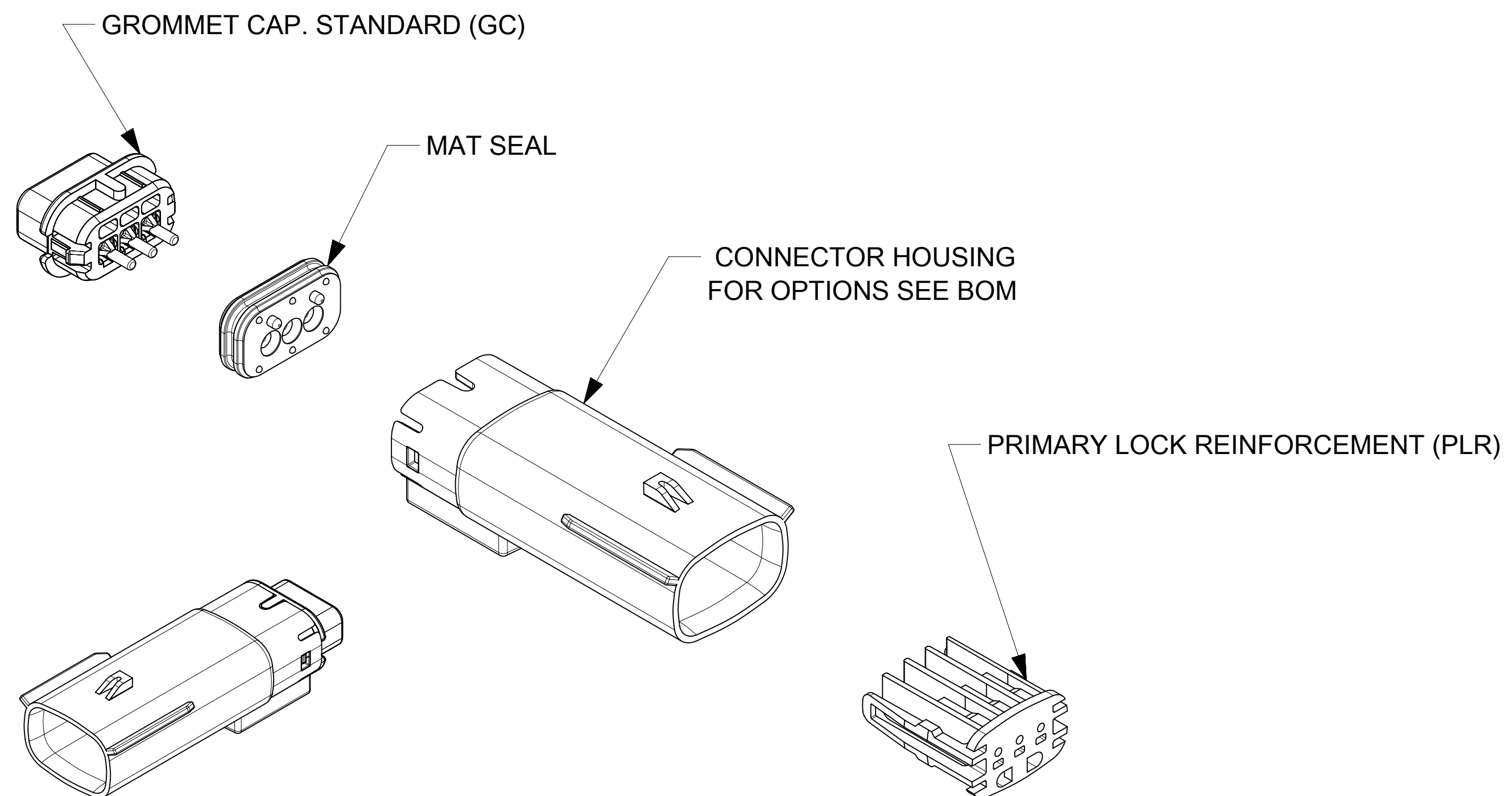
BACKSHELL CONFIGURATIONS



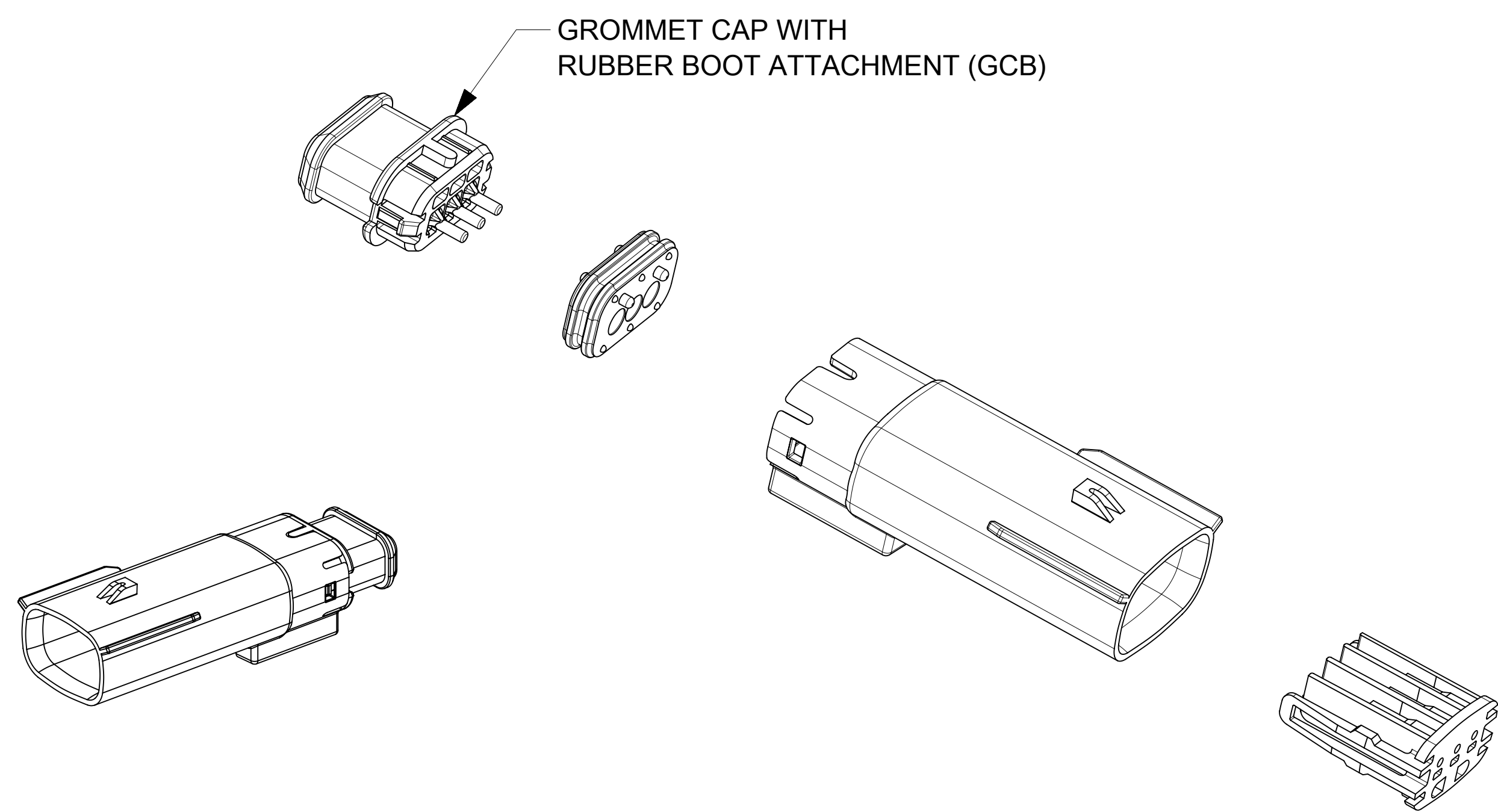
RECEPTACLE SEALED ASSEMBLY WITH RECEPTACLE BACKSHELL

FUNCTIONAL SYMBOLS $\nabla_A = 0$ $\nabla_C = 0$ $\nabla_D = 0$	THIS DRAWING CONTAINS INFORMATION THAT IS PROPRIETARY TO MOLEX ELECTRONIC TECHNOLOGIES, LLC AND SHOULD NOT BE USED WITHOUT WRITTEN PERMISSION		CURRENT REV DESC:		
	DIMENSION UNITS	SCALE	EC NO: 643941		
	mm	4:1	DRWN: XLDONG03 2020/08/21		
	GENERAL TOLERANCES (UNLESS SPECIFIED)		CHK'D: JDENG02 2020/08/26		
	ANGULAR TOL $\pm 3.0^\circ$		APPR: JDENG02 2020/08/26		
DIVISIONAL SYMBOLS	4 PLACES	\pm	INITIAL REVISION:		DOCUMENT NUMBER SD-33471-031
	3 PLACES	\pm	DRWN: DMARCOUX 2002/06/18		
	2 PLACES	± 0.1	APPR: FHOLUB 2002/06/18		
	1 PLACE	± 0.3	DRAFT WHERE APPLICABLE MUST REMAIN WITHIN DIMENSIONS		
	0 PLACES	\pm	THIRD ANGLE PROJECTION		
DOCUMENT STATUS: P1 RELEASE DATE: 2020/08/26 07:23:55		DRAWING: D-SIZE SERIES: 33471		MATERIAL NUMBER: SEE BOM CUSTOMER: GENERAL MARKET SHEET NUMBER: 6 OF 7	

TABLE OF CONTENTS	
SHEET NO.	SHEET DESCRIPTION
1	NOTES
2	KEY CONFIGURATIONS
3	BLADE SEALED ASSEMBLY
4	SYSTEM PACKAGING
5	RUBBER BOOT CONFIGURATION
6	BOM
7	RUBBER BOOT INTERFACE



MX150 1X3 BLADE SEALED ASSEMBLY - STANDARD (STD)



MX150 1X3 BLADE SEALED ASSEMBLY - RUBBER BOOT CONFIGURATION
UNLESS COMPONENT NOTED, SEE STANDARD ASSEMBLY

NOTES: VALID UNLESS OTHERWISE SPECIFIED

1. GENERAL:

a. APPLICATION SPECIFICATION SEE: AS-33472-100

- CONTAINS: PRODUCT INTRODUCTION, PRODUCT SUMMARY, CONNECTOR ASSEMBLY, PACKAGING INFORMATION, CONNECTOR MATING, SERVICE INSTRUCTIONS, ELECTRICAL CONTINUITY CHECKING, CRIMPING, AND TROUBLESHOOTING.
- DESIGNED TO MATE WITH RECEPTACLE SEALED ASSEMBLY SPECIFIED IN MOLEX DRAWING SD-33471-031.
- FOR 1.5mm BLADE TERMINALS TO BE USED WITH THIS ASSEMBLY SEE MOLEX DRAWING SD-33000-001.
- SYSTEM TO BE USED WITH WIRE WITHIN DIAMETER RANGE OF 1.2mm TO 2.69mm.
- ASSEMBLY SHIPPED WITH PLR IN PRE-LOCK POSITION
- IN THE EVENT THAT THE PLR IS FOUND IN THE SEATED (FINAL LOCK) POSITION, REFER TO MOLEX SPECIFICATION PS-34646-001, AVAILABLE AT www.molex.com <<http://www.molex.com>>
- ASSEMBLY CONFORMS TO SAE/USCAR-2 REV.4 WITH THE FOLLOWING EXCEPTIONS: TERMINAL INSERTION FORCE FOR WIRE DIAMETER ABOVE 2.5mm NOT EXCEEDING 2.69mm SHALL NOT EXCEED 45 NEWTONS.

b. PRODUCT SPECIFICATION SEE: PS-33471-000

- CONTAINS: PRODUCT INTRODUCTION, PRODUCT SUMMARY, RATINGS (CURRENT, TEMPERATURE, SEALING, AND FLAMMABILITY), AND PRODUCT VALIDATION.

c. PACKAGING SPECIFICATION PER MOLEX DRAWING: PK-31300-635

d. PARTS MUST BE IN COMPLIANCE TO MOLEX CHEMICAL SUBSTANCES FOR PRODUCTS AND PACKAGING SPECIFICATION: ES-40000-5016

e. DATA MUST BE SUBMITTED UNDER THE MOLEX PART NUMBER TO IMDS (COMPANY ID#13255)

2. DESIGN - MATERIALS:

- a. CONNECTOR HOUSING, GROMMET CAP, PLR: SPS/NYLON BLEND 20% GLASS FILLED
- b. MAT SEAL: INHERENTLY LUBRICATED SILICONE

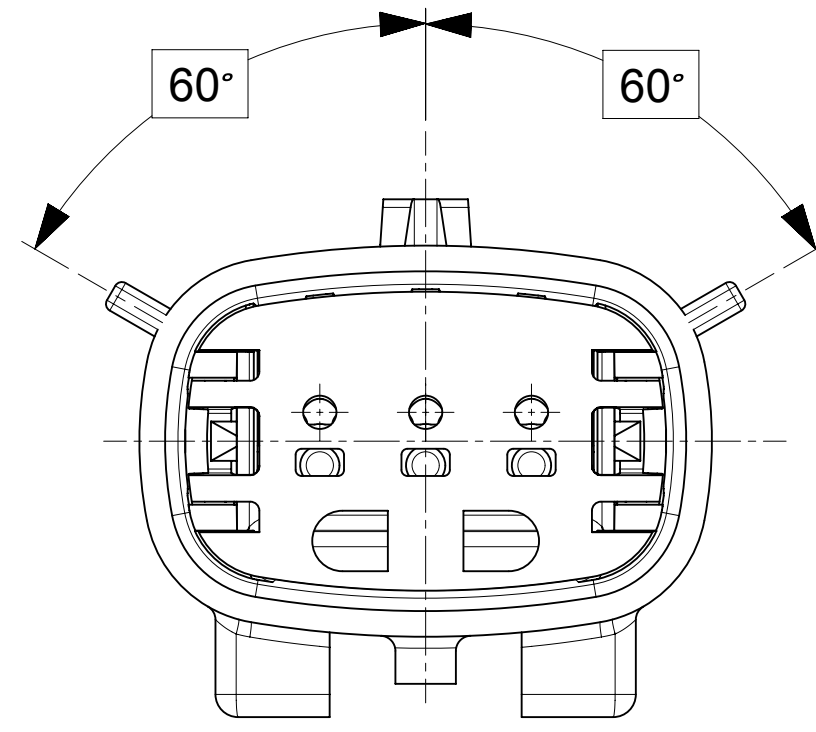
3. DESIGN - GEOMETRY:

- a. THIS IS A 100% CAD GENERATED PART. THE CAD MATHEMATICAL DATA IS THE MASTER FOR THIS PART. FOR DIMENSIONAL OR ANY INFORMATION NOT SHOWN ON THIS DRAWING, ANALYZE THE CAD MODEL.
- b. GEOMETRIC DIMENSIONS AND TOLERANCES PER ASME Y14.5M - 1994
- c. EDGES AND UNDIMENSIONED DETAILS PER ISO13715
- d. CORNERS SHOWN AS SHARP TO BE R 0.2 MAX.
- e. LETTERING SHALL BE 0.15 MAX RAISED IN 0.25 MAX RECESS PAD. THIS INCLUDES RECYCLING CODE, CAVITY ID, VENDOR IDENTIFICATION, AND CUSTOMER MATERIAL NUMBER.
- f. VISUAL DEFECTS SHALL MEET COSMETIC STANDARD PS-45499-002 (Class B)
- g. LASER MARKING: TBD

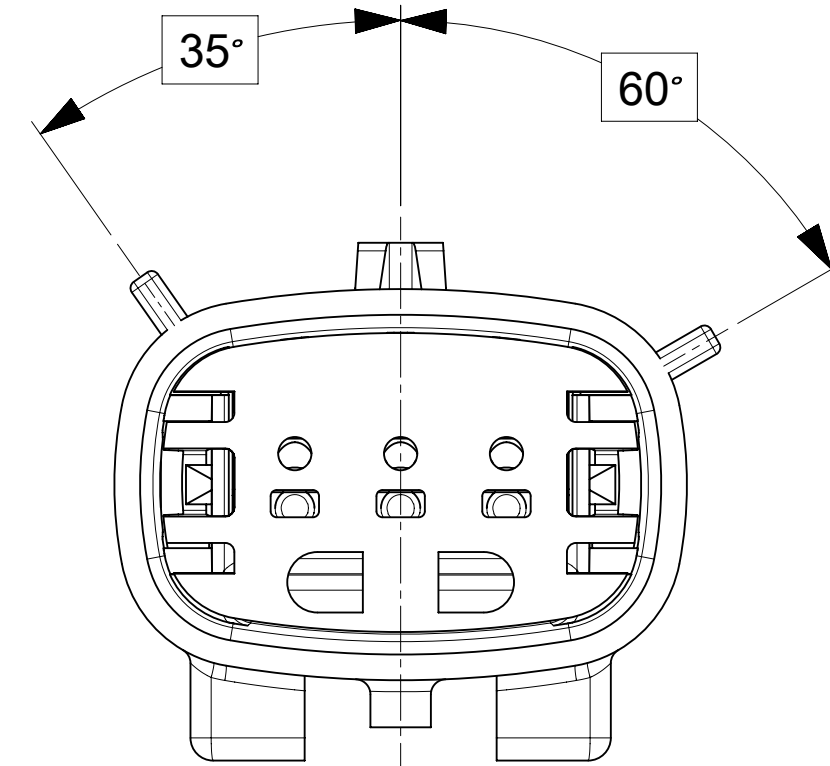
INSPECTION NUMBER LOG
LAST NUMBER USED: 21
ADDED:
REMOVED:

R5	ADDED STATUS COLUMN
R4	ADD P/Ns 33481-3301 TO 33481-3341
R3	DEVIATED THE DIM 16
R2	RELEASED P/N 33481-0341
R1	RELEASED P/N 33481-0340, DELETED P/N 33481-0331
R	ADD RUBBER BOOT CONFIGURATION
Q	UPDATE P/N 33481-0326 TO 33481-0330
P	ADD NEW P/N 33481-0326
N	UPDATED GROMMET CAP
M3	UPDATED DIMENSIONS TO MATCH MODEL
M2	COLOR REPLACEMENT FOR KEY C AND D PER USCAR STANDARD
M1	UPDATED NOTES
M	REDRAWN
REV	DESCRIPTION

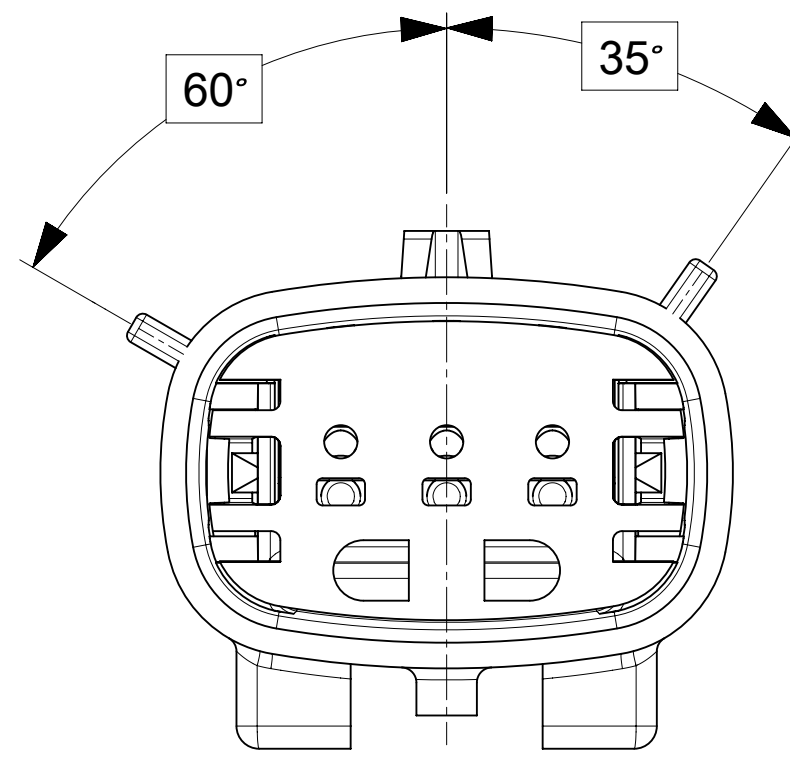
THIS DRAWING CONTAINS INFORMATION THAT IS PROPRIETARY TO MOLEX ELECTRONIC TECHNOLOGIES, LLC AND SHOULD NOT BE USED WITHOUT WRITTEN PERMISSION									
DIMENSION UNITS		SCALE		CURRENT REV DESC: SEE REVISION TABLE					
mm		3:1		EC NO: 645317 DRWN: MKP 2020/08/10 CHK'D: MJMITCHELL 2020/09/21 APPR: MJMITCHELL 2020/09/21 INITIAL REVISION: DRWN: DMARCOUX 06-12-02 APPR: FHOLUB 06-12-02					
GENERAL TOLERANCES (UNLESS SPECIFIED)									
	MM	INCH							
4 PLACES	±		±						
3 PLACES	±		±						
2 PLACES	±	0.1	±						
1 PLACE	±	0.3	±						
0 PLACES	±		±						
ANGULAR TOL		± 3.0 °							
DRAFT WHERE APPLICABLE MUST REMAIN WITHIN DIMENSIONS				THIRD ANGLE PROJECTION		DRAWING		SERIES	
		D-SIZE		33481		MATERIAL NUMBER		CUSTOMER	
				SEE BOM		GENERAL MARKET		SHEET NUMBER	
								1 OF 7	



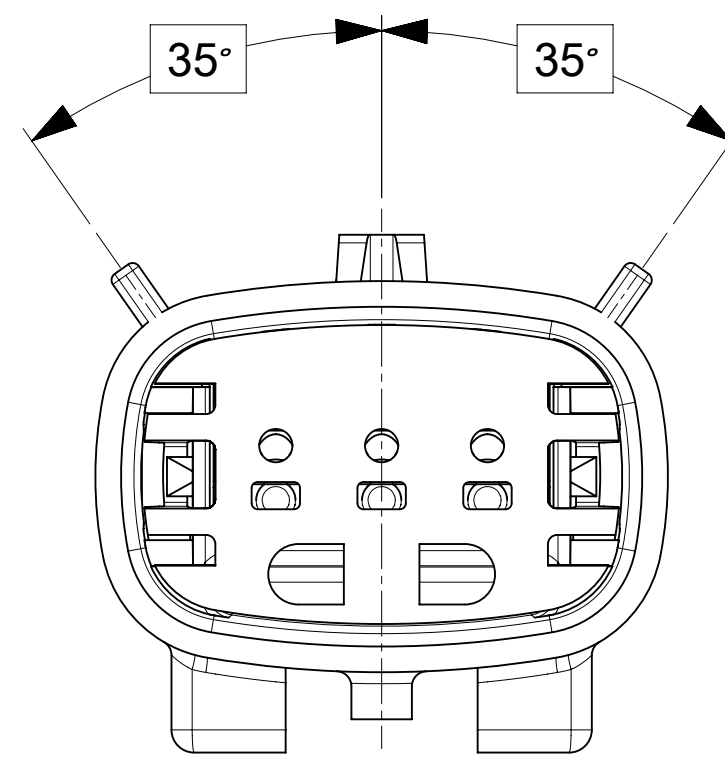
KEY A



KEY B



KEY C

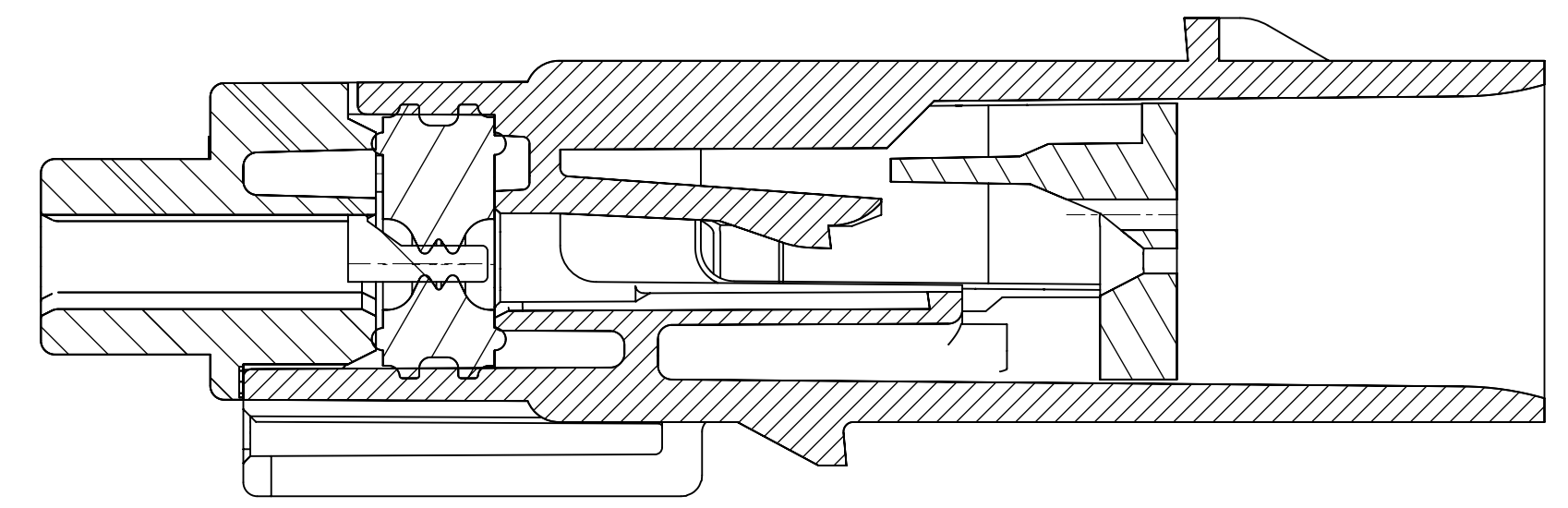
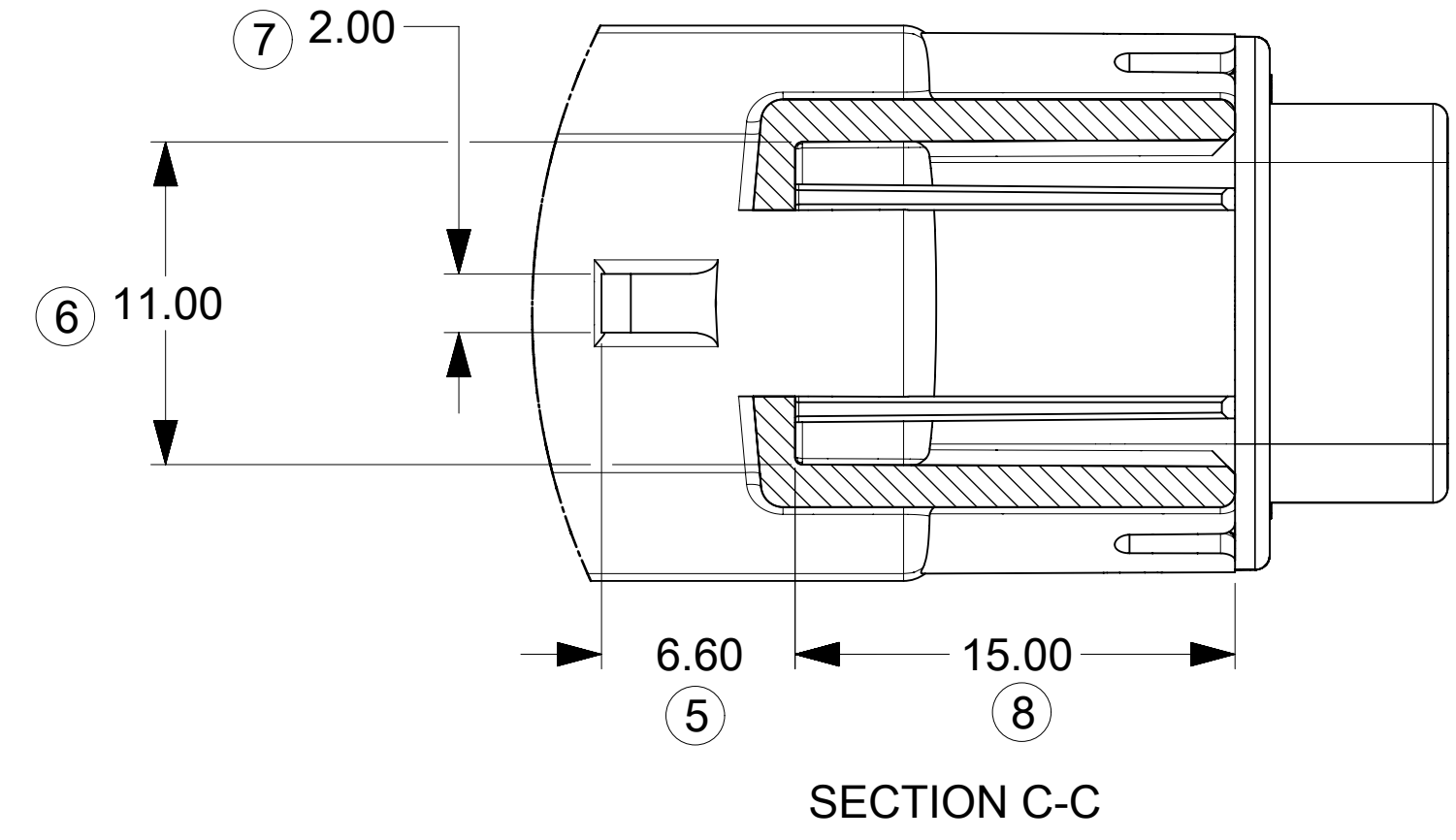
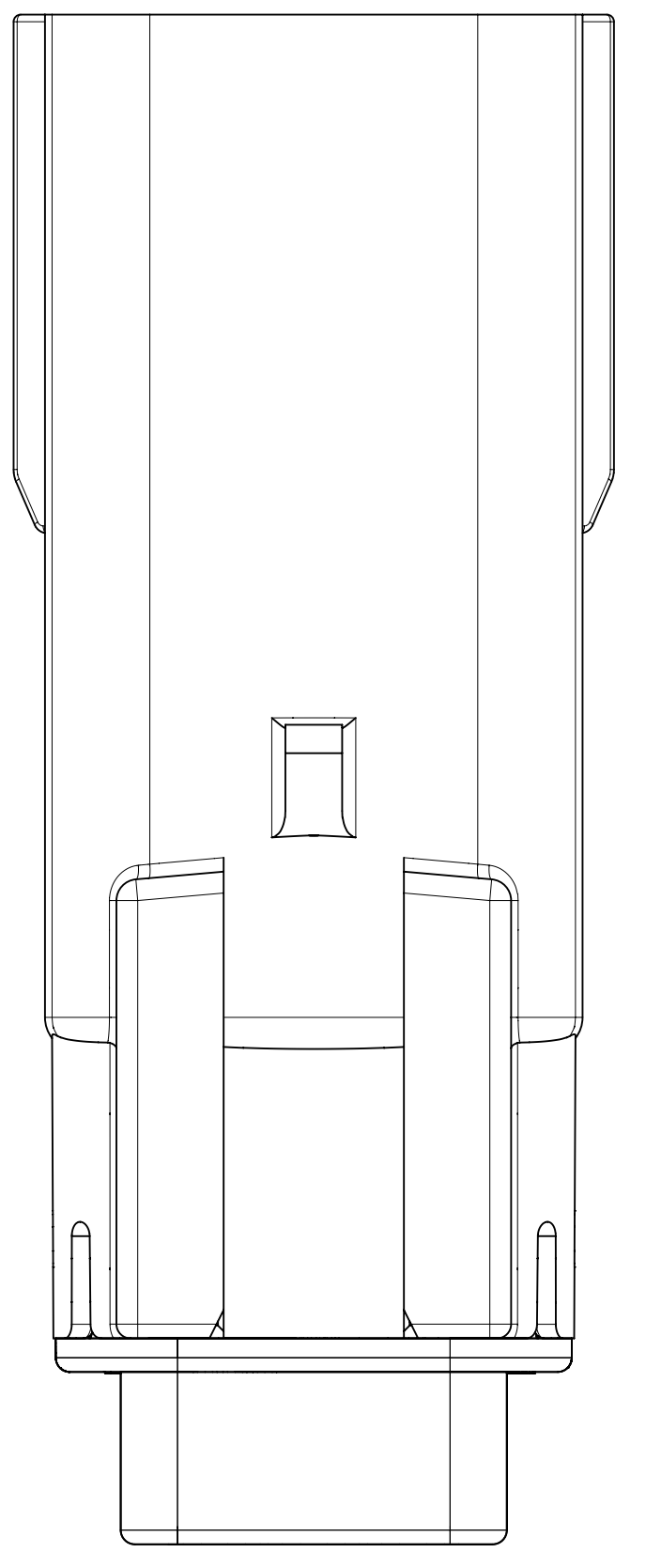
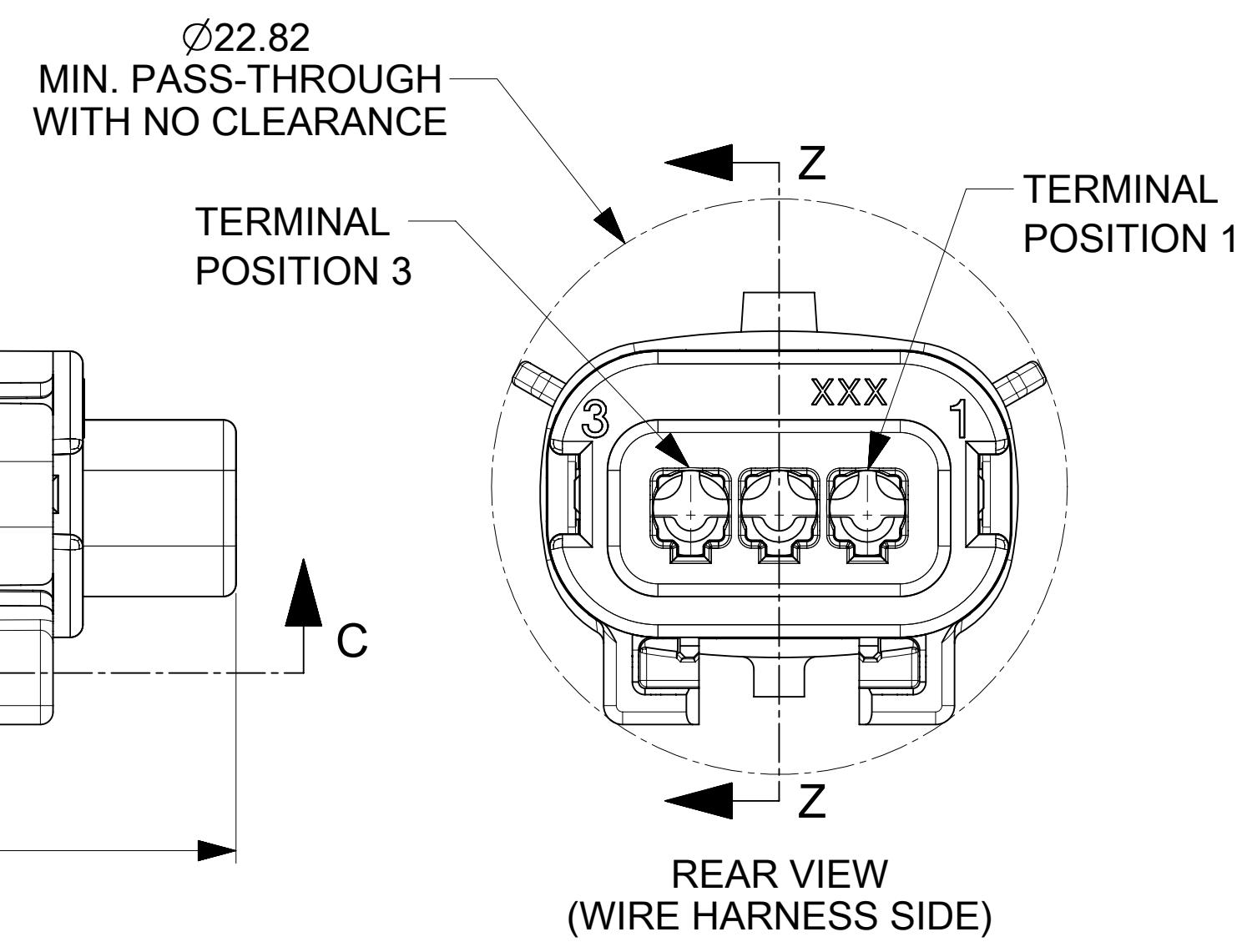
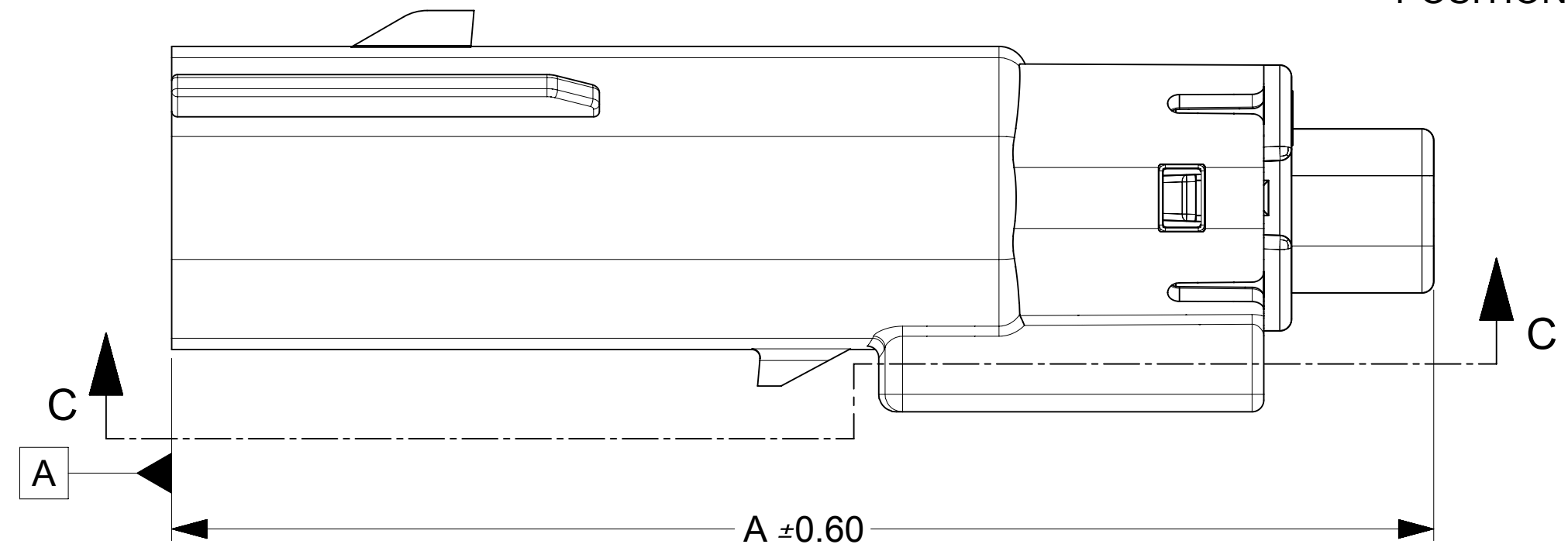
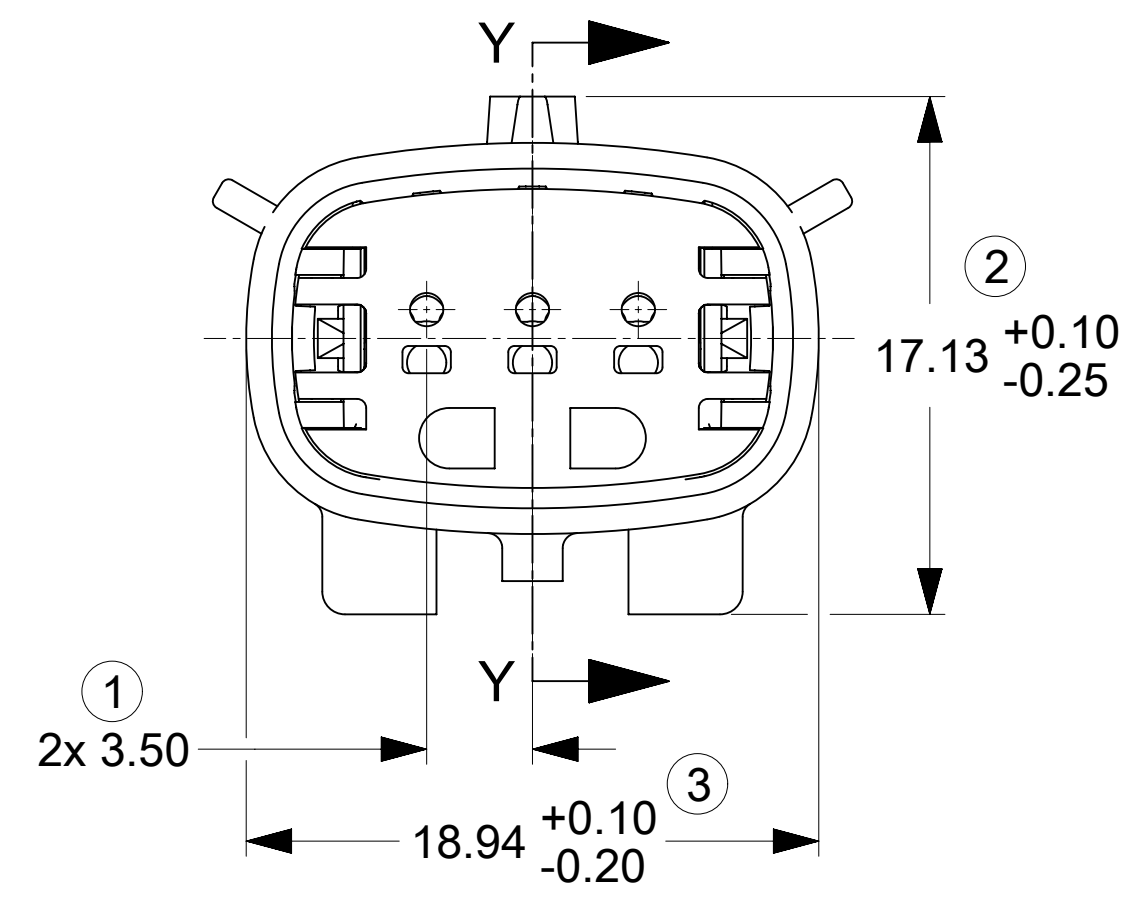
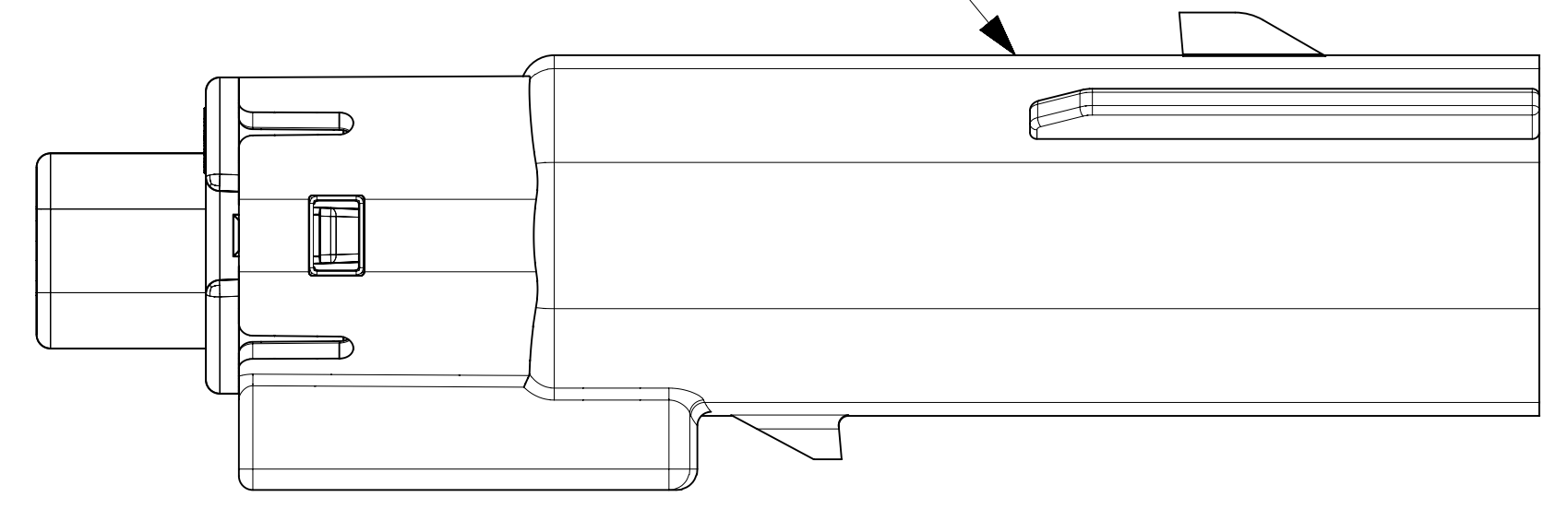


KEY D

THIS DRAWING CONTAINS INFORMATION THAT IS PROPRIETARY TO MOLEX ELECTRONIC TECHNOLOGIES, LLC AND SHOULD NOT BE USED WITHOUT WRITTEN PERMISSION

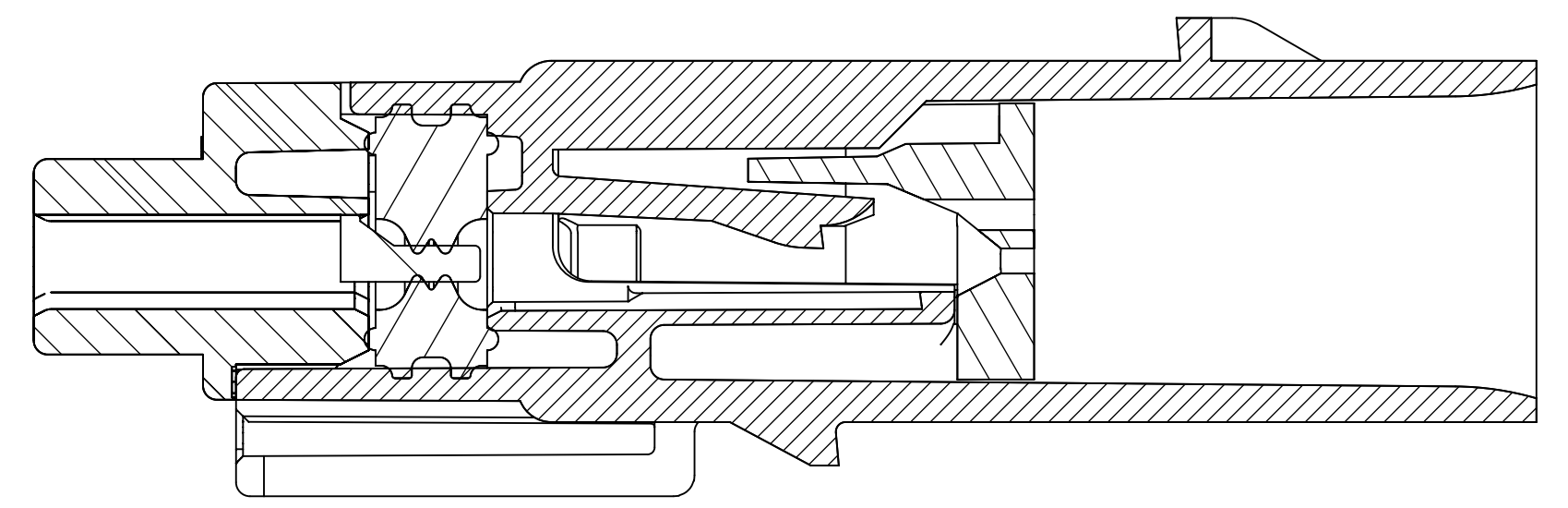
DIMENSION UNITS		SCALE		CURRENT REV DESC: SEE REVISION TABLE													
mm		4:1															
GENERAL TOLERANCES (UNLESS SPECIFIED)						EC NO: 645317				DOCUMENT NUMBER		DOC TYPE		DOC PART		REVISION	
		MM		INCH													
4 PLACES		±		±		DRWN: MKP 2020/08/10				SD-33481-031		PSD		001		R5	
3 PLACES		±		±		CHK'D: MJMITCHELL 2020/09/21											
2 PLACES		±		0.1		±		APPR: MJMITCHELL 2020/09/21									
1 PLACE		±		0.3		±		INITIAL REVISION:									
0 PLACES		±		±		±		DRWN: DMARCOUX 06-12-02									
ANGULAR TOL		±		3.0 °		±		APPR: FHOLUB 06-12-02									
DRAFT WHERE APPLICABLE MUST REMAIN WITHIN DIMENSIONS						THIRD ANGLE PROJECTION		DRAWING		SERIES		MATERIAL NUMBER		CUSTOMER		SHEET NUMBER	
								D-SIZE		33481		SEE BOM		GENERAL MARKET		2 OF 7	

LASER MARKING THIS SURFACE
SEE NOTE 3g.



PRIMARY LOCK REINFORCEMENT (PLR) SHOWN
IN PRE-STAGED POSITION

SECTION Z-Z

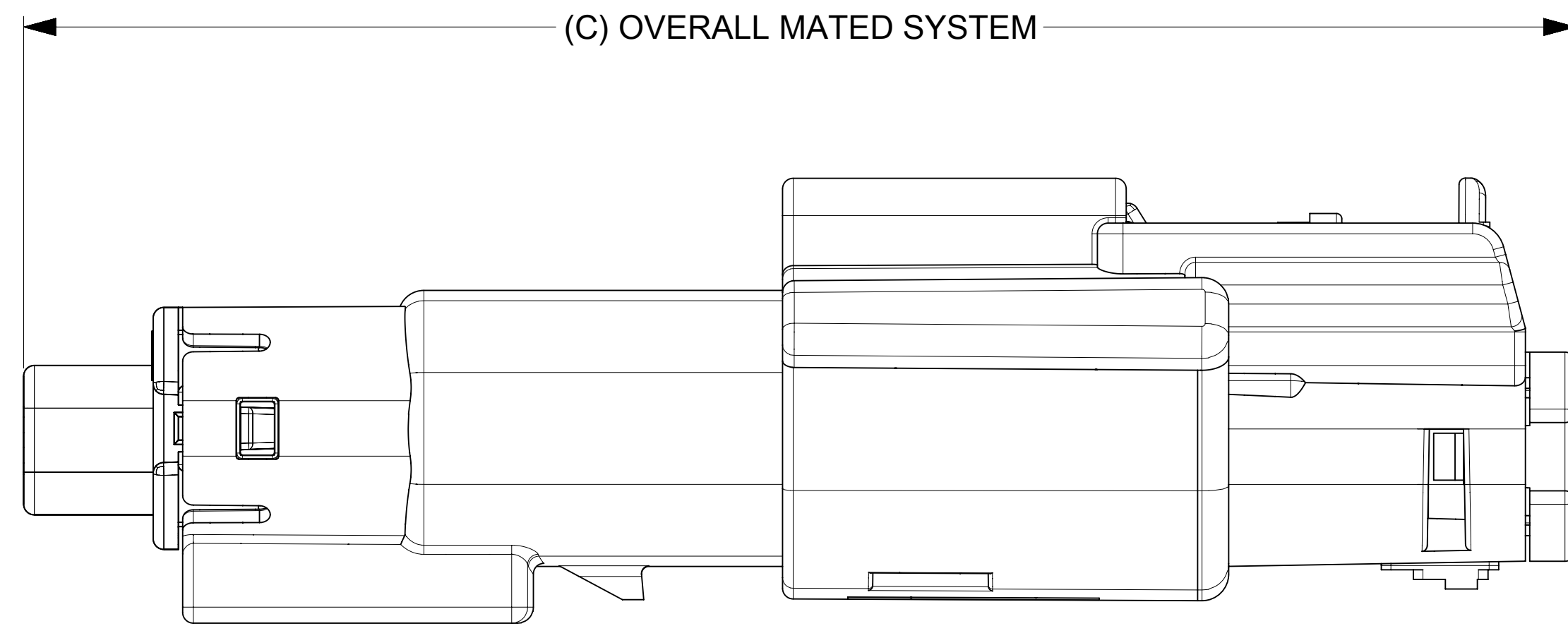


PRIMARY LOCK REINFORCEMENT (PLR) SHOWN
IN FINAL-LOCK POSITION

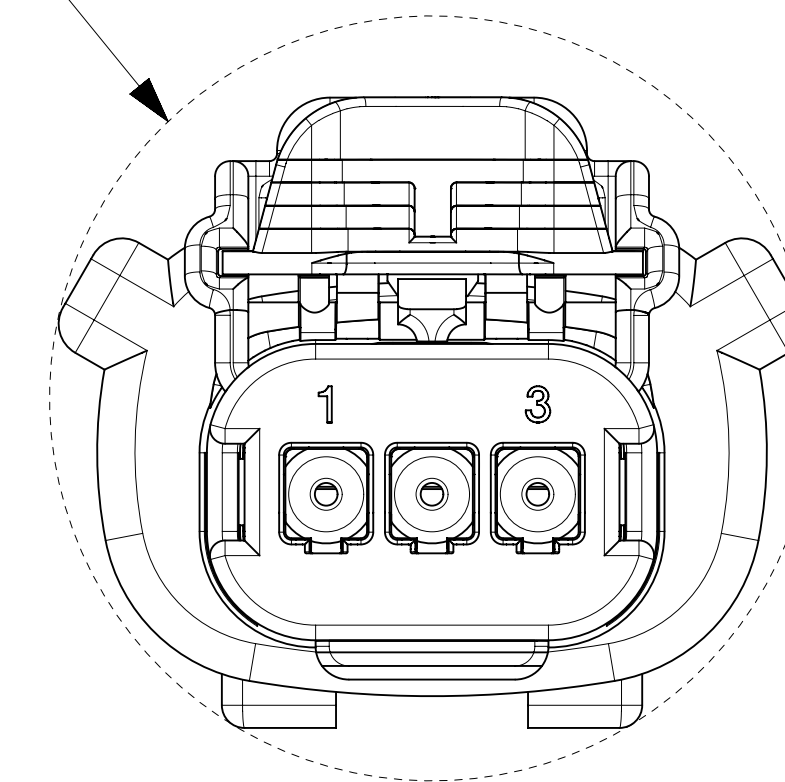
SECTION Y-Y

CHARTED DIMENSIONS	
CONFIGURATION	
MX150 1X3 BLADE SEALED ASSEMBLY - STANDARD	A
MX150 1X3 BLADE SEALED ASSEMBLY - RUBBER BOOT CONFIGURATION	57.85

THIS DRAWING CONTAINS INFORMATION THAT IS PROPRIETARY TO MOLEX ELECTRONIC TECHNOLOGIES, LLC AND SHOULD NOT BE USED WITHOUT WRITTEN PERMISSION											
DIMENSION UNITS		SCALE		CURRENT REV DESC: SEE REVISION TABLE							
mm		4:1		<p>molex</p> <p>MX150 1X3 BLADE SEALED ASSEMBLY MAT SEAL</p> <p>PRODUCT CUSTOMER DRAWING</p>							
GENERAL TOLERANCES (UNLESS SPECIFIED)											
	MM	INCH									
4 PLACES	±	±									
3 PLACES	±	±									
2 PLACES	±	0.1	±								
1 PLACE	±	0.3	±								
0 PLACES	±	±									
ANGULAR TOL		± 3.0°		EC NO: 645317		2020/08/10		<p>SD-33481-031</p> <p>PSD 001 R5</p>			
DRAFT WHERE APPLICABLE MUST REMAIN WITHIN DIMENSIONS		THIRD ANGLE PROJECTION		DRWN: DMARCOUX		06-12-02					
				APPR: FHOUB		06-12-02					
				DRAWING		SERIES					
				D-SIZE		33481		MATERIAL NUMBER		CUSTOMER	
								SEE BOM		GENERAL MARKET	
										SHEET NUMBER	
										3 OF 7	



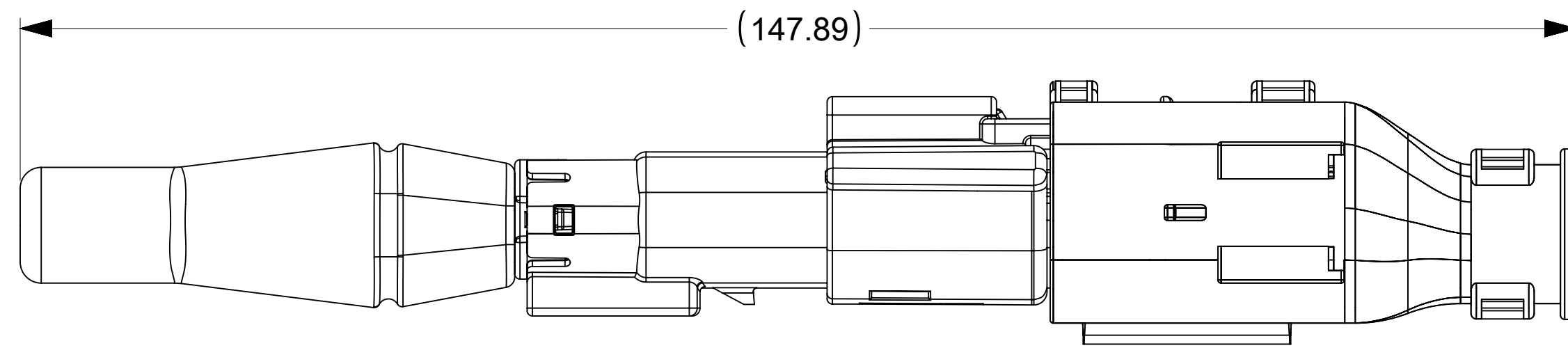
Ø25.30
MIN. PASS-THROUGH
WITH NO CLEARANCE



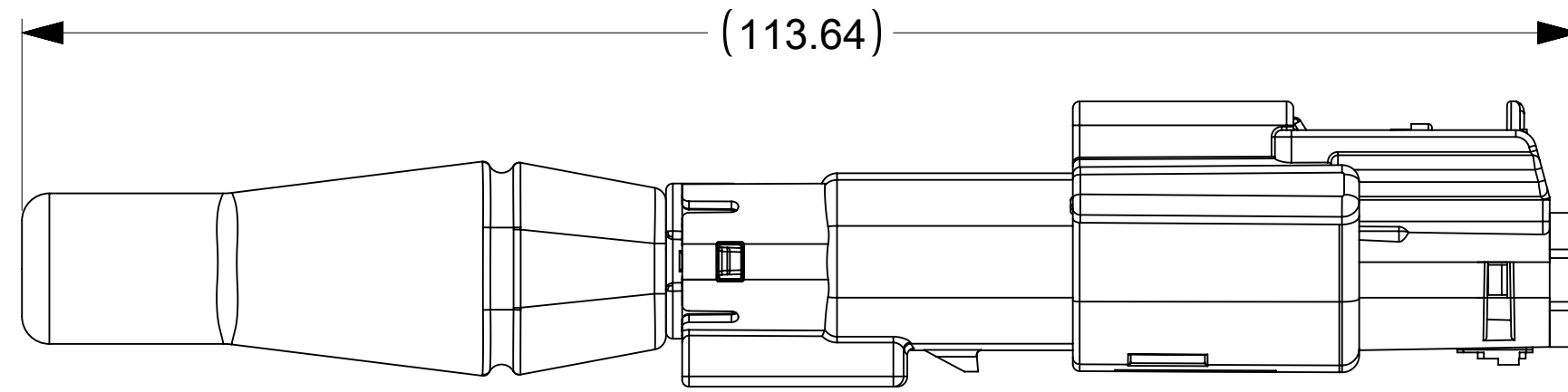
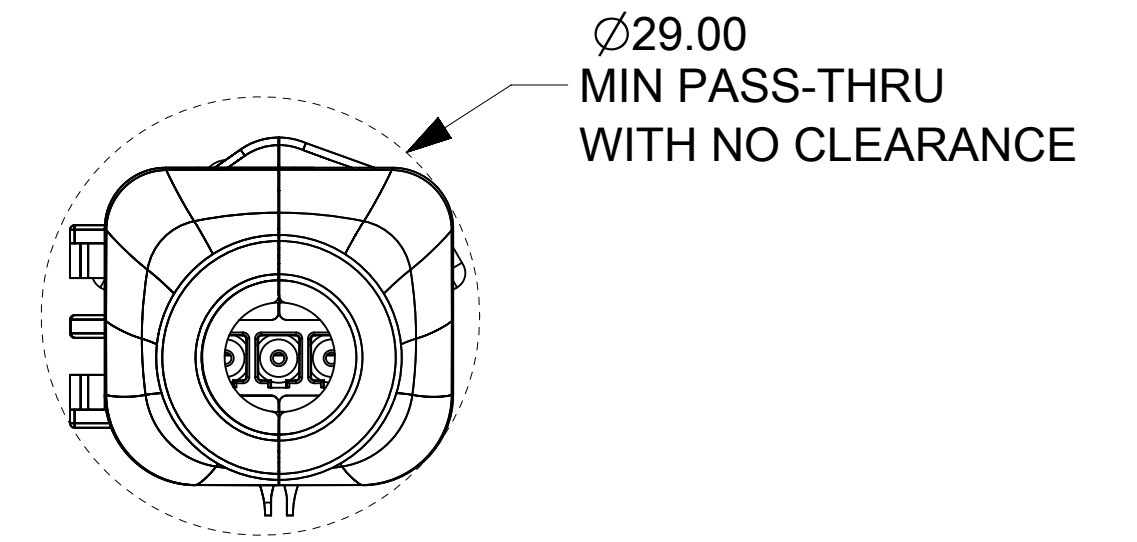
CHARTED DIMENSIONS	
CONFIGURATION	A
MX150 1X3 BLADE SEALED ASSEMBLY - STANDARD	53.85
MX150 1X3 BLADE SEALED ASSEMBLY - RIBBER BOOT CONFIGURATION	57.85

THIS DRAWING CONTAINS INFORMATION THAT IS PROPRIETARY TO MOLEX ELECTRONIC TECHNOLOGIES, LLC AND SHOULD NOT BE USED WITHOUT WRITTEN PERMISSION

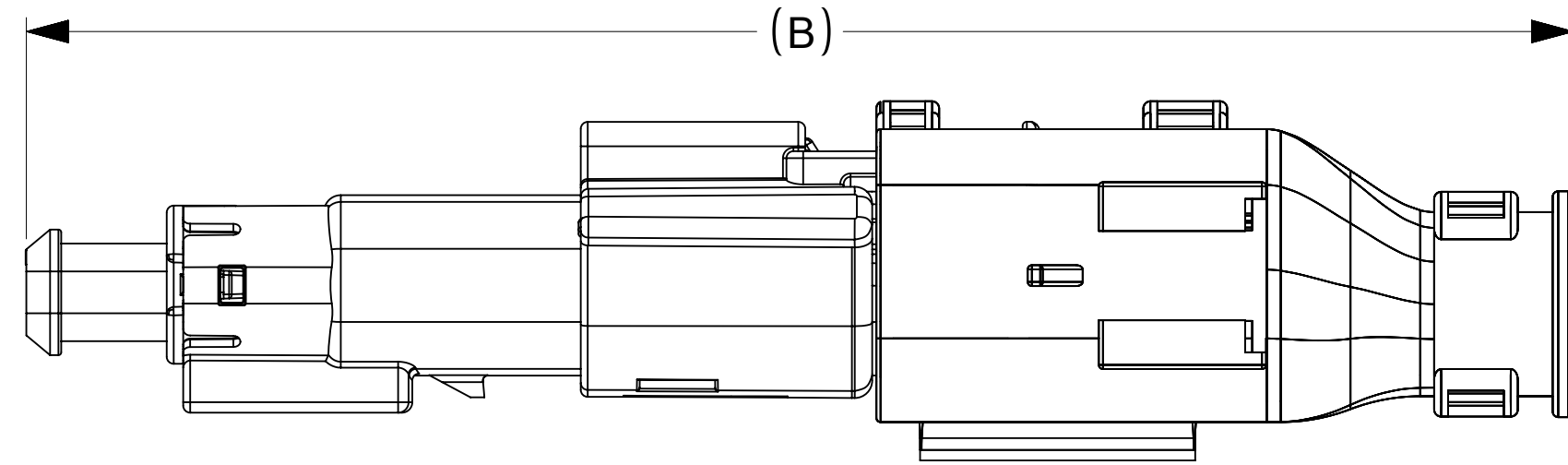
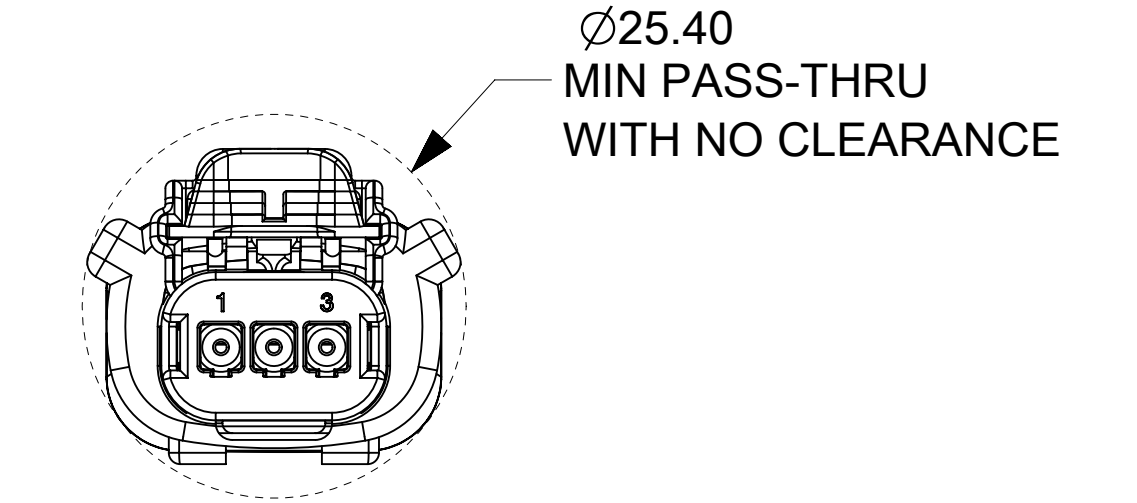
DIMENSION UNITS mm	SCALE 4:1	CURRENT REV DESC: SEE REVISION TABLE		molex			
GENERAL TOLERANCES (UNLESS SPECIFIED)		EC NO: 645317					
	MM	INCH	DRWN: MKP	2020/08/10	PRODUCT CUSTOMER DRAWING		
4 PLACES	±	±	CHK'D: MJMITCHELL	2020/09/21	DOCUMENT NUMBER		
3 PLACES	±	±	APPR: MJMITCHELL	2020/09/21	SD-33481-031	DOC TYPE	
2 PLACES	±	0.1	INITIAL REVISION:		PSD	DOC PART	
1 PLACE	±	0.3	DRWN: DMARCOUX	06-12-02	001	REVISION	
0 PLACES	±	±	APPR: FHOLUB	06-12-02	R5		
ANGULAR TOL	±	3.0 °	THIRD ANGLE PROJECTION		SERIES	CUSTOMER	
DRAFT WHERE APPLICABLE MUST REMAIN WITHIN DIMENSIONS		DRAWING		SHEET NUMBER	MATERIAL NUMBER	SHEET NUMBER	
		D-SIZE		33481	SEE BOM	GENERAL MARKET	
				4 OF 7			



OVERALL MATED SYSTEM WITH BLADE RUBBER BOOT AND RECEPTACLE BACKSHELL

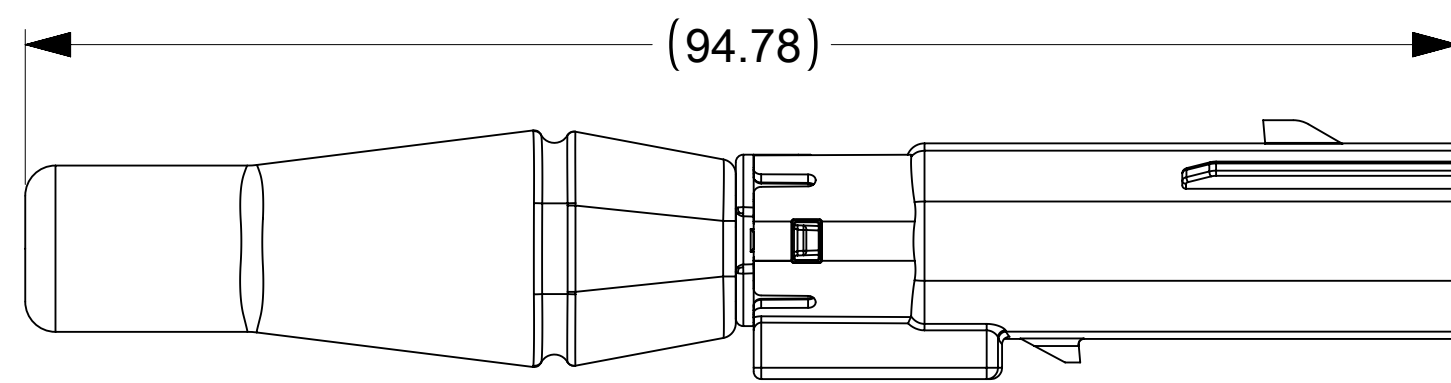
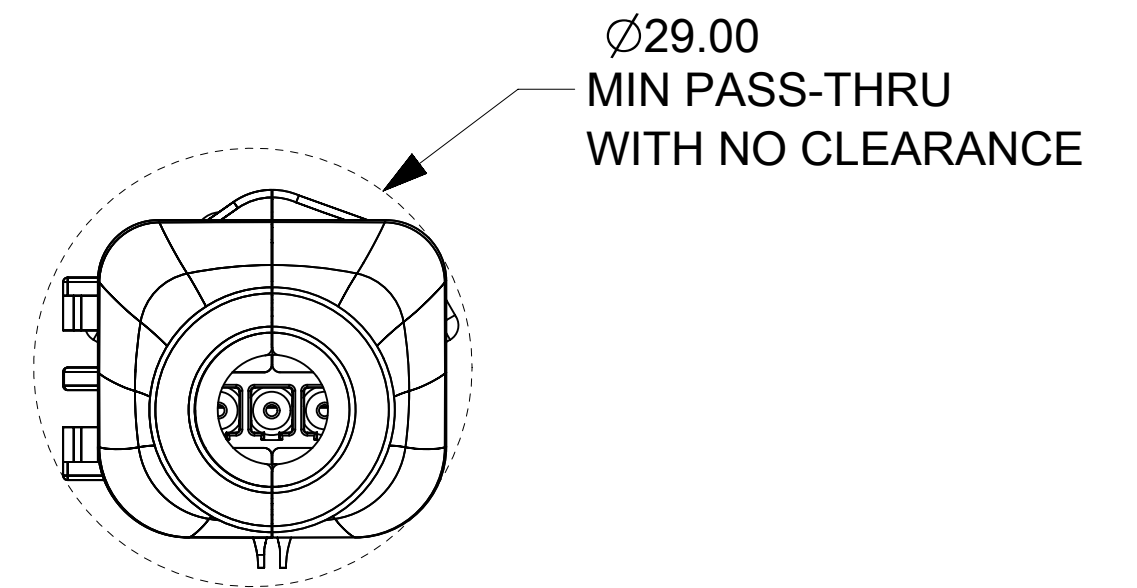


OVERALL MATED SYSTEM WITH BLADE RUBBER BOOT

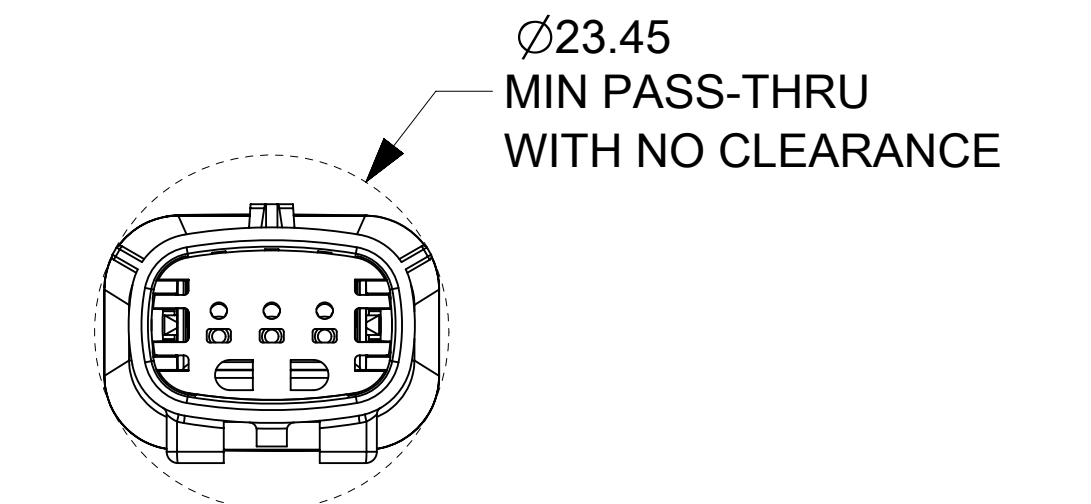


OVERALL MATED SYSTEM WITH RECEPTACLE BACKSHELL

CHARTED DIMENSIONS CONFIGURATION		B
MX150 1X3 BLADE SEALED ASSEMBLY - STANDARD		106.96
MX150 1X3 BLADE SEALED ASSEMBLY - RIBBER BOOT CONFIGURATION		110.96



BLADE SEALED ASSEMBLY WITH BLADE RUBBER BOOT



THIS DRAWING CONTAINS INFORMATION THAT IS PROPRIETARY TO MOLEX ELECTRONIC TECHNOLOGIES, LLC AND SHOULD NOT BE USED WITHOUT WRITTEN PERMISSION

DIMENSION UNITS mm	SCALE 2:1	CURRENT REV DESC: SEE REVISION TABLE		molex			
GENERAL TOLERANCES (UNLESS SPECIFIED)		EC NO: 645317					
	MM	INCH	DRWN: MKP	2020/08/10	PRODUCT CUSTOMER DRAWING		
4 PLACES	±	±	CHK'D: MJMITCHELL	2020/09/21	DOCUMENT NUMBER		
3 PLACES	±	±	APPR: MJMITCHELL	2020/09/21	DOC TYPE		
2 PLACES	±	0.1	INITIAL REVISION:		DOC PART		
1 PLACE	±	0.3	DRWN: DMARCOUX	06-12-02	REVISION		
0 PLACES	±	±	APPR: FHOLUB	06-12-02	SD-33481-031		
ANGULAR TOL	±	3.0 °			PSD	001	
DRAFT WHERE APPLICABLE MUST REMAIN WITHIN DIMENSIONS	THIRD ANGLE PROJECTION		DRAWING	SERIES	MATERIAL NUMBER	CUSTOMER	
	D-SIZE		33481	SEE BOM	GENERAL MARKET		
					SHEET NUMBER		
					5 OF 7		

R5

ASSEMBLY PART NUMBER	COLOR	KEYING OPTION	CAVITY TYPE & STATUS (X = PLUGGED)			STATUS	COMMENTS	OPTIONAL ATTACHMENT SOLD SEPARATELY SMP RUBBER BOOT
			1	2	3			
			33481-0301	BLACK	A			
33481-0302	LT.GRAY	B				NOT RECOMMENDED		NOT AVAILABLE
33481-0303	BROWN	C				NOT RECOMMENDED	NOT RECOMMENDED, SEE P/N 33481-0322	NOT AVAILABLE
33481-0304	GREEN	D				NOT RECOMMENDED	NOT RECOMMENDED, SEE P/N 33481-0323	NOT AVAILABLE
33481-0305	CUSTOM	TBD				PLANNED OBSOLESCENCE		NOT AVAILABLE
33481-0306	BLACK	A			X	PLANNED OBSOLESCENCE		NOT AVAILABLE
33481-0307	LT.GRAY	B			X	PLANNED OBSOLESCENCE		NOT AVAILABLE
33481-0308	BROWN	C			X	PLANNED OBSOLESCENCE		NOT AVAILABLE
33481-0309	GREEN	D			X	PLANNED OBSOLESCENCE		NOT AVAILABLE
33481-0310	CUSTOM	TBD			X	PLANNED OBSOLESCENCE		NOT AVAILABLE
33481-0311	BLACK	A	X		X	PLANNED OBSOLESCENCE		NOT AVAILABLE
33481-0312	LT.GRAY	B	X		X	PLANNED OBSOLESCENCE		NOT AVAILABLE
33481-0313	BROWN	C	X		X	PLANNED OBSOLESCENCE		NOT AVAILABLE
33481-0314	GREEN	D	X		X	PLANNED OBSOLESCENCE		NOT AVAILABLE
33481-0315	CUSTOM	TBD	X		X	PLANNED OBSOLESCENCE		NOT AVAILABLE
33481-0316	BLACK	A	X	X	X	NOT RECOMMENDED		NOT AVAILABLE
33481-0317	LT.GRAY	B	X	X	X	PLANNED OBSOLESCENCE		NOT AVAILABLE
33481-0318	BROWN	C	X	X	X	NOT RECOMMENDED	NOT RECOMMENDED, SEE P/N 33481-0324	NOT AVAILABLE
33481-0319	GREEN	D	X	X	X	NOT RECOMMENDED	NOT RECOMMENDED, SEE P/N 33481-0325	NOT AVAILABLE
33481-0320	CUSTOM	TBD	X	X	X	PLANNED OBSOLESCENCE		NOT AVAILABLE
33481-0321	BLACK	A		X		NOT RECOMMENDED		NOT AVAILABLE
33481-0322	DK.GRAY	C				PLANNED OBSOLESCENCE		NOT AVAILABLE
33481-0323	ST.GRAY	D				PLANNED OBSOLESCENCE		NOT AVAILABLE
33481-0324	DK.GRAY	C	X	X	X	PLANNED OBSOLESCENCE		NOT AVAILABLE
33481-0325	ST.GRAY	D	X	X	X	PLANNED OBSOLESCENCE		NOT AVAILABLE
33481-0330	YELLOW	A				PLANNED OBSOLESCENCE		NOT AVAILABLE
33481-0340	BLACK	A				NOT RECOMMENDED	RUBBER BOOT CONFIGURATION	P/N TBD
33481-0341	BLACK	A	X	X	X	PLANNED OBSOLESCENCE	RUBBER BOOT CONFIGURATION	P/N TBD

R5

ASSEMBLY PART NUMBER	COLOR	KEYING OPTION	CAVITY TYPE & STATUS (X = PLUGGED)			STATUS	COMMENTS	OPTIONAL ATTACHMENT SOLD SEPARATELY SMP RUBBER BOOT
			1	2	3			
			33481-3301	BLACK	A			
33481-3302	LT.GRAY	B				SALEABLE		AVAILABLE
33481-3303	BROWN	C				NOT RECOMMENDED	NOT RECOMMENDED, SEE P/N 33481-0322	NOT AVAILABLE
33481-3304	GREEN	D				NOT RECOMMENDED	NOT RECOMMENDED, SEE P/N 33481-0323	NOT AVAILABLE
33481-3305	CUSTOM	TBD				SALEABLE		AVAILABLE
33481-3306	BLACK	A			X	SALEABLE		AVAILABLE
33481-3307	LT.GRAY	B			X	SALEABLE		AVAILABLE
33481-3308	BROWN	C			X	SALEABLE		AVAILABLE
33481-3309	GREEN	D			X	SALEABLE		AVAILABLE
33481-3310	CUSTOM	TBD			X	SALEABLE		AVAILABLE
33481-3311	BLACK	A	X		X	SALEABLE		AVAILABLE
33481-3312	LT.GRAY	B	X		X	SALEABLE		AVAILABLE
33481-3313	BROWN	C	X		X	SALEABLE		AVAILABLE
33481-3314	GREEN	D	X		X	SALEABLE		AVAILABLE
33481-3315	CUSTOM	TBD	X		X	SALEABLE		AVAILABLE
33481-3316	BLACK	A	X	X	X	SALEABLE		AVAILABLE
33481-3317	LT.GRAY	B	X	X	X	SALEABLE		AVAILABLE
33481-3318	BROWN	C	X	X	X	NOT RECOMMENDED	NOT RECOMMENDED, SEE P/N 33481-0324	NOT AVAILABLE
33481-3319	GREEN	D	X	X	X	NOT RECOMMENDED	NOT RECOMMENDED, SEE P/N 33481-0325	NOT AVAILABLE
33481-3320	CUSTOM	TBD	X	X	X	SALEABLE		AVAILABLE
33481-3321	BLACK	A		X		SALEABLE		AVAILABLE
33481-3322	DK.GRAY	C				SALEABLE		AVAILABLE
33481-3323	ST.GRAY	D				SALEABLE		AVAILABLE
33481-3324	DK.GRAY	C	X	X	X	SALEABLE		AVAILABLE
33481-3325	ST.GRAY	D	X	X	X	SALEABLE		AVAILABLE
33481-3330	YELLOW	A				SALEABLE		AVAILABLE
33481-3340	BLACK	A				SALEABLE	RUBBER BOOT CONFIGURATION	P/N TBD
33481-3341	BLACK	A	X	X	X	SALEABLE	RUBBER BOOT CONFIGURATION	P/N TBD

THIS DRAWING CONTAINS INFORMATION THAT IS PROPRIETARY TO MOLEX ELECTRONIC TECHNOLOGIES, LLC AND SHOULD NOT BE USED WITHOUT WRITTEN PERMISSION

DIMENSION UNITS mm	SCALE 1:1	CURRENT REV DESC: SEE REVISION TABLE	
GENERAL TOLERANCES (UNLESS SPECIFIED)		EC NO: 645317 DRWN: MKP 2020/08/10 CHK'D: MJMITCHELL 2020/09/21 APPR: MJMITCHELL 2020/09/21 INITIAL REVISION: DRWN: DMARCOUX 06-12-02 APPR: FHOLUB 06-12-02	
	MM INCH		
4 PLACES ±	±		
3 PLACES ±	±		
2 PLACES ± 0.1	±		
1 PLACE ± 0.3	±		
0 PLACES ±	±	DOCUMENT NUMBER SD-33481-031	
ANGULAR TOL ± 3.0 °		DOC TYPE	DOC PART
DRAFT WHERE APPLICABLE MUST REMAIN WITHIN DIMENSIONS		THIRD ANGLE PROJECTION	REVISION
		DRAWING	REVISION
		SERIES	REVISION
		MATERIAL NUMBER	REVISION
		CUSTOMER	REVISION
		SHEET NUMBER	REVISION
		D-SIZE	33481
		SEE BOM	GENERAL MARKET
			6 OF 7

molex

MX150 1X3 BLADE
SEALED ASSEMBLY MAT SEAL

PRODUCT CUSTOMER DRAWING

SD-33481-031

PSD

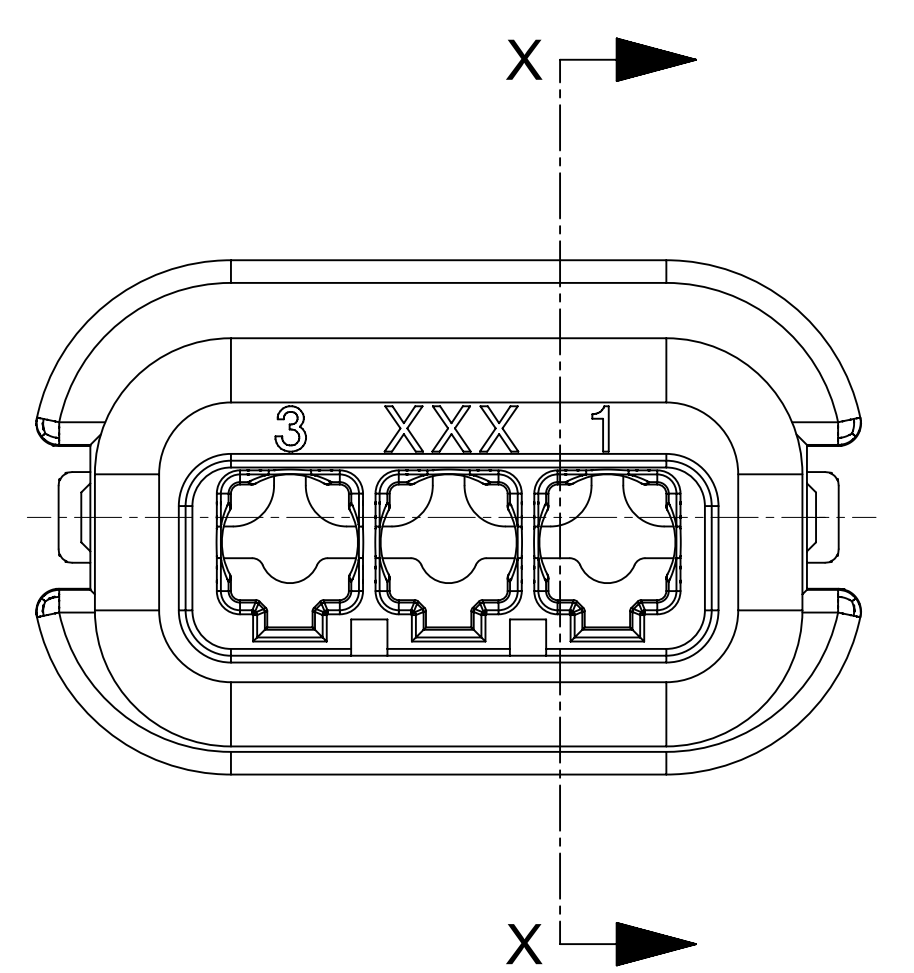
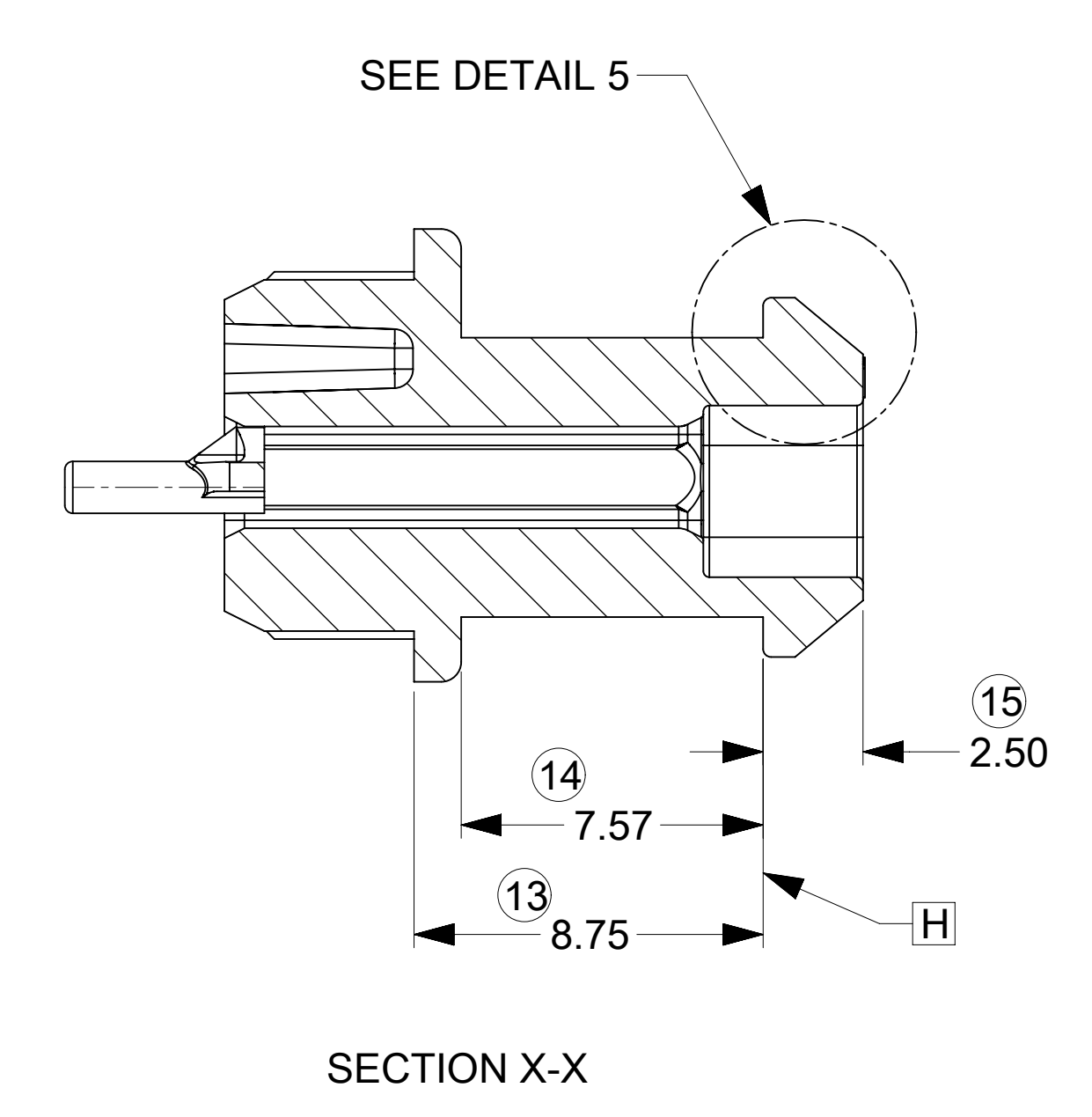
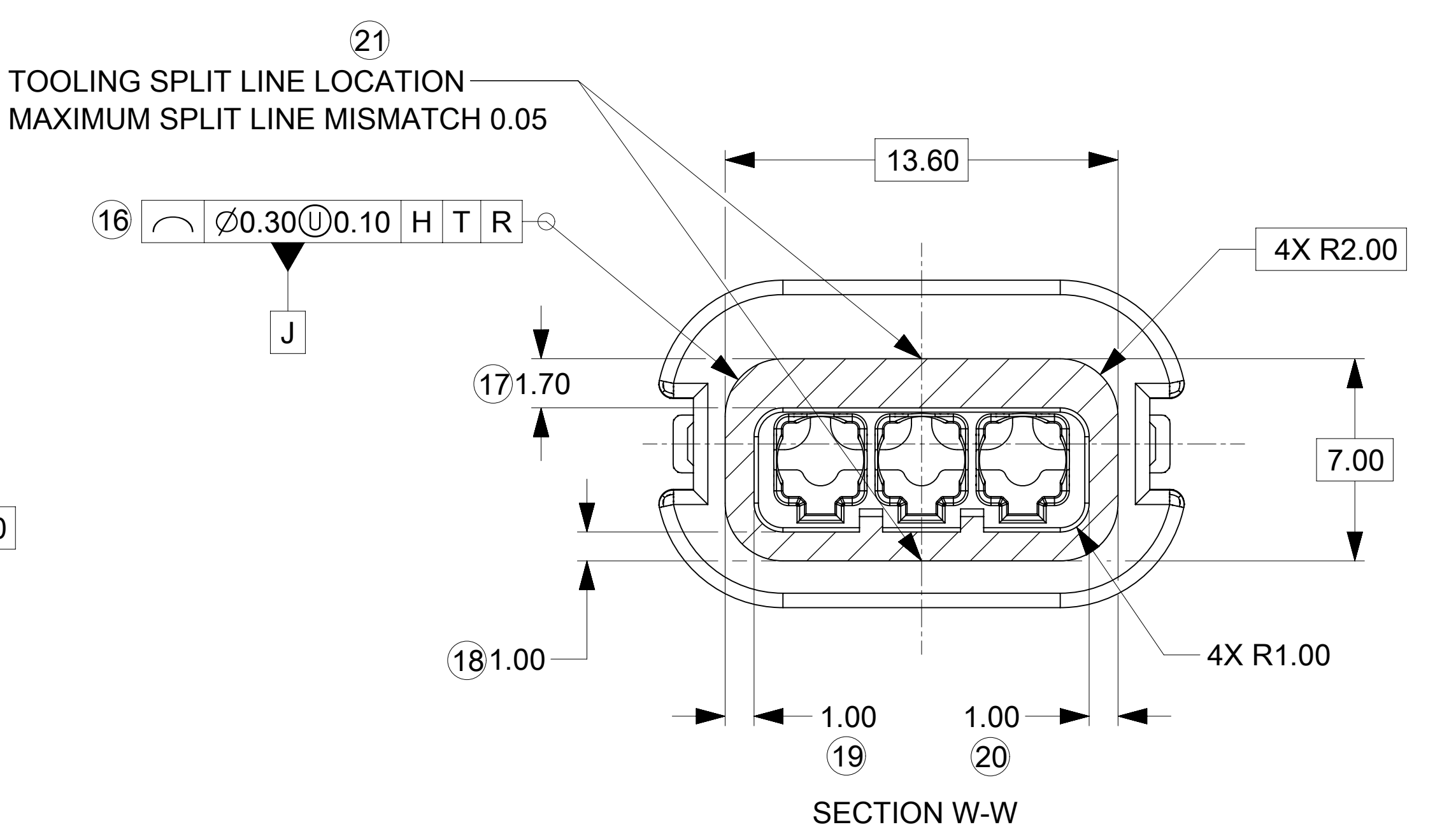
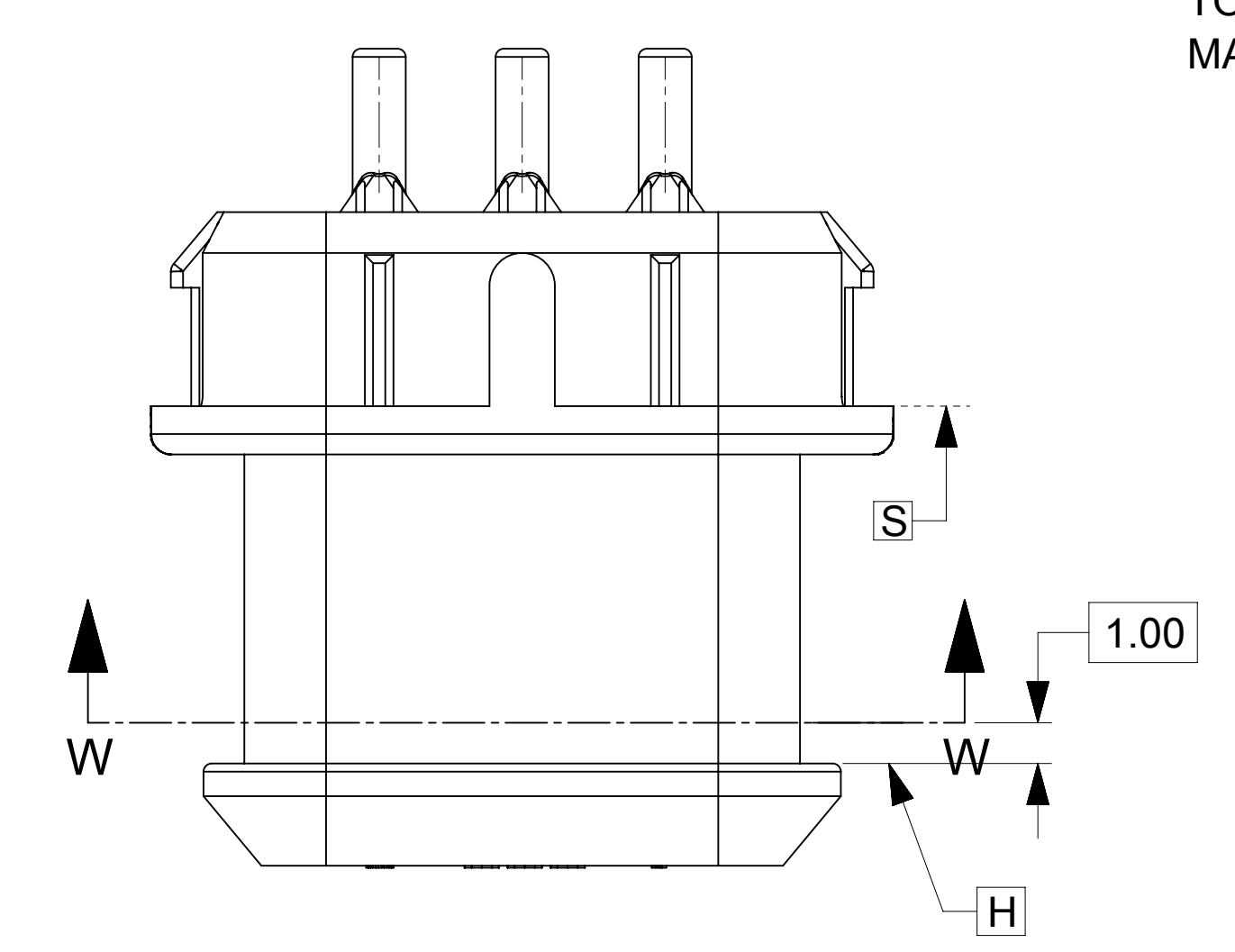
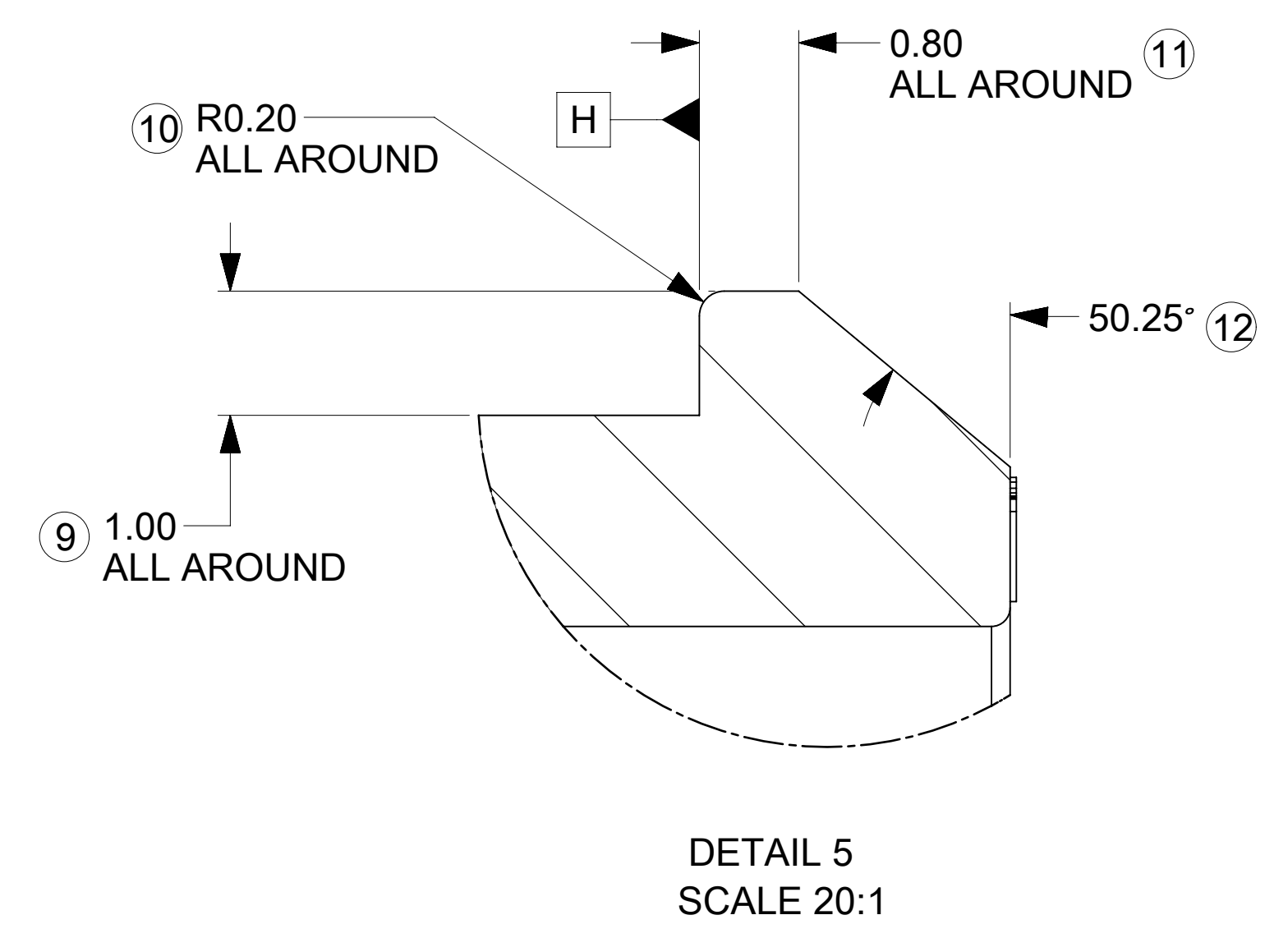
001

R5

SEE BOM

GENERAL MARKET

6 OF 7



THIS DRAWING CONTAINS INFORMATION THAT IS PROPRIETARY TO MOLEX ELECTRONIC TECHNOLOGIES, LLC AND SHOULD NOT BE USED WITHOUT WRITTEN PERMISSION									
DIMENSION UNITS		SCALE		CURRENT REV DESC: SEE REVISION TABLE					
mm		2:1		<p>molex</p> <p>MX150 1X3 BLADE SEALED ASSEMBLY MAT SEAL</p> <p>PRODUCT CUSTOMER DRAWING</p> <p>DOCUMENT NUMBER: SD-33481-031 DOC TYPE: PSD DOC PART: 001 REVISION: R5</p> <p>EC NO: 645317 DRWN: MKP 2020/08/10 CHK'D: MJMITCHELL 2020/09/21 APPR: MJMITCHELL 2020/09/21</p> <p>INITIAL REVISION: DRWN: DMARCOUX 06-12-02 APPR: FHOLUB 06-12-02</p> <p>DRAFT WHERE APPLICABLE MUST REMAIN WITHIN DIMENSIONS</p> <p>THIRD ANGLE PROJECTION</p> <p>DRAWING: D-SIZE SERIES: 33481 MATERIAL NUMBER: SEE BOM CUSTOMER: GENERAL MARKET SHEET NUMBER: 7 OF 7</p>					
GENERAL TOLERANCES (UNLESS SPECIFIED)									
	MM	INCH							
4 PLACES	±	±							
3 PLACES	±	±							
2 PLACES	±	0.1							
1 PLACE	±	0.3							
0 PLACES	±	±							
ANGULAR TOL ± 3.0°									