



TDA7528

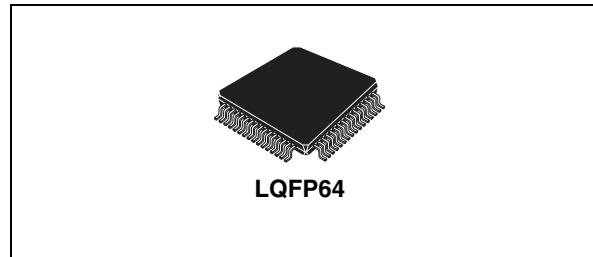
FM/AM car-radio receiver front-end for IF-sampling systems with fully integrated VCO

Features

- High-performance AM/FM front-end chip for IF-sampling car-radio tuners
- Compatible with AM(LW, MW, SW) / FM(EU, US, JAPAN, OIRT) / Weather Band / HD-Radio / DRM applications
- Ready for multi-tuner applications (phase diversity, background tuner)
- Dual input FM-mixer with high image rejection, specialized for different front-end circuits
- Integrated AM preamplifier and tank for lower-cost applications
- Fully integrated tuning PLL with two VCO's for diversity systems
- World tuning capable
- Integrated IF tank
- AGC controlled IF amplifier with four inputs for connection of up to four ceramic filters
- Fully electronically adjustable
- I²C/SPI controlled

Description

The TDA7528 is a front-end module for use in car radio receivers with digital IF processing, using the STA3004, respectively the STA3005 backend IC.



Its field of use includes all the current radio broadcast services in the range of 50kHz to 163MHz for AM radio, FM radio and US weather band. Digital standards such as DRM and HD radio can also be handled. A single superheterodyne architecture with 10.7 MHz IF-frequency provides high dynamic range.

The IMR mixer has separate input and output stages for AM frequency bands up to 30 MHz and for FM frequencies above 30 MHz.

The integrated AM-preamplifier and the fully integrated low-pass filter enable low cost applications. Two FM inputs with different noise / IP3 parameter, provide full flexibility for the pre-stage circuitry. Each mixer output is able to drive two IF-filters, which can be selected by the different IF-amplifier inputs.

The fast tuning PLL controls two different VCO, which are designed to operate without frequency overlap.

Table 1. Device summary

Order code	Package	Packing
TDA7528	LQFP64 exposed pad (10x10x1.4 mm)	Tray

Contents

- 1 Product description 8**
 - 1.1 Summary 8
 - 1.2 Block diagram 9

- 2 Pin description 10**
 - 2.1 Pin connection 10
 - 2.2 Pin description 10

- 3 Electrical characteristics 13**
 - 3.1 Absolute maximum ratings 13
 - 3.2 General parameters 13
 - 3.3 Power management and voltage regulator 14
 - 3.3.1 Power management 14
 - 3.3.2 Power-on circuit and low supply voltage detector 14
 - 3.3.3 Voltage regulator 15
 - 3.4 FM - Section 16
 - 3.4.1 IMR and active balun 16
 - 3.4.2 FM AGC 18
 - 3.5 AM - Section 21
 - 3.5.1 AM LNA 21
 - 3.5.2 Switchable LPF 4th order 21
 - 3.5.3 IMR and active balun 22
 - 3.5.4 AM AGC 24
 - 3.6 IF - Section 27
 - 3.6.1 IF-Amplifier 27
 - 3.6.2 IF-AGC 29
 - 3.6.3 IF buffer amplifier 30
 - 3.7 Phase Locked Loop 30
 - 3.7.1 VCO 31
 - 3.7.2 Reference oscillator / reference frequency input buffer 32
 - 3.7.3 Divider 32
 - 3.7.4 Phase frequency detector and charge pump 33
 - 3.8 Temperature sensor 33

3.9	D/A-converter	34
3.10	A/D-converter	35
3.11	GPIO - general purpose I/O interface pins	36
3.11.1	Serial data interface	36
3.11.2	Communication using the I ² C protocol	37
3.11.3	Communication using the SPI protocol	38
4	Application information	40
5	Programming information	41
5.1	Address organization	41
5.2	Data byte specification	42
5.2.1	Short_reg (0)	42
5.2.2	ADCctrl (1)	43
5.2.3	GPIO mode (2)	44
5.2.4	AGC and mixer control (3)	45
5.2.5	Supply control (4)	46
5.2.6	Divider R MSB (5)	46
5.2.7	IF AGC control (6)	47
5.2.8	FM AGC (7)	47
5.2.9	AGC voltage threshold (8)	48
5.2.10	Mixer alignment 1 (9)	48
5.2.11	Mixer alignment 2 (10)	49
5.2.12	PLL control 1 (11)	50
5.2.13	PLL control 2 (12)	50
5.2.14	PLL test (13)	51
5.2.15	Misc 1 (14)	51
5.2.16	Misc 2 (15)	52
5.2.17	AGC time constant settings (16 / 32)	53
5.2.18	AMAGC control (17 / 33)	54
5.2.19	GPIO output level control (18 / 34)	54
5.2.20	IF control (19 / 35)	55
5.2.21	VCO divider (V-divider) (20 / 36)	55
5.2.22	PLL main divider (N-divider) 1 (21 / 37)	56
5.2.23	PLL main divider (N-divider) 2 (22 / 38)	56
5.2.24	PLL main divider (N-divider) 3 (23 / 39)	56
5.2.25	PLL Divider ratio calculation	57

5.2.26	Divider R LSB (24/40)	57
5.2.27	Charge pump current (25 / 41)	57
5.2.28	Tuning DAC 1 (26 / 42)	58
5.2.29	Tuning DAC 2 (27 / 43)	58
5.2.30	Different controls (28 / 44)	59
5.2.31	AM filter adjust (29 / 45)	60
5.2.32	Misc 3 (30 / 46)	61
5.2.33	AD converter test (31 / 47)	61
5.2.34	Read 1 (48)	62
5.2.35	Read 2 (49)	62
6	Package information	63
7	Revision history	64

List of tables

Table 1.	Device summary	1
Table 2.	Pin function description	10
Table 3.	Absolute maximum ratings	13
Table 4.	General parameters electrical characteristics	13
Table 5.	Voltage sag detection electrical characteristics	15
Table 6.	Voltage regulator electrical characteristics	15
Table 7.	IMR and active balun electrical characteristics	16
Table 8.	FM-AGC electrical characteristics	19
Table 9.	AM LNA electrical characteristics	21
Table 10.	Switchable LPF 4 th order electrical characteristics	21
Table 11.	IMR and active balun electrical characteristics	22
Table 12.	AM-AGC electrical characteristics	25
Table 13.	IF-Amplifier with anti aliasing filter and ADC buffer electrical characteristics	27
Table 14.	IF-AGC electrical characteristics	29
Table 15.	IF buffer amplifier electrical characteristics	30
Table 16.	Phase Locked Loop electrical characteristics	30
Table 17.	VCO electrical characteristics	31
Table 18.	Reference oscillator / reference frequency input buffer electrical characteristics	32
Table 19.	Divider electrical characteristics	32
Table 20.	Phase frequency detector and charge pump electrical characteristics	33
Table 21.	Temperature sensor electrical characteristics	33
Table 22.	D/A-converter electrical characteristics	34
Table 23.	A/D-converter	35
Table 24.	GPIO - general purpose I/O interface pins electrical characteristics	36
Table 25.	GPIO test conditions	36
Table 26.	Pin configuration of the serial data interface	37
Table 27.	I ² C addresses	38
Table 28.	Communication using the SPI protocol electrical characteristics	38
Table 29.	Short_reg (0)	42
Table 30.	ADCctrl (1)	43
Table 31.	GPIO mode (2)	44
Table 32.	AGC and mixer control (3)	45
Table 33.	Supply control (4)	46
Table 34.	Divider R MSB (5)	46
Table 35.	IF AGC control (6)	47
Table 36.	FM AGC (7)	47
Table 37.	AGC voltage threshold (8)	48
Table 38.	Mixer alignment 1 (9)	48
Table 39.	Mixer alignment 2 (10)	49
Table 40.	PLL control 1 (11)	50
Table 41.	PLL control 2 (12)	50
Table 42.	PLL test (13)	51
Table 43.	Misc 1 (14)	51
Table 44.	Misc 2 (15)	52
Table 45.	AGC time constant settings (16 / 32)	53
Table 46.	AMAGC control (17 / 33)	54
Table 47.	GPIO output level control (18 / 34)	54
Table 48.	IF control (19 / 35)	55

Table 49.	VCO divider (V-divider) (20 / 36)	55
Table 50.	PLL main divider (N-divider) 1 (21 / 37)	56
Table 51.	PLL main divider (N-divider) 2 (22 / 38)	56
Table 52.	PLL main divider (N-divider) 3 (23 / 39)	56
Table 53.	PLL Divider ratio calculation	57
Table 54.	Divider R LSB (24/40)	57
Table 55.	Charge pump current (25 / 41)	57
Table 56.	Tuning DAC 1 (26 / 42)	58
Table 57.	Tuning DAC 2 (27 / 43)	58
Table 58.	Different controls (28 / 44)	59
Table 59.	AM filter adjust (29 / 45)	60
Table 60.	Misc 3 (30 / 46)	61
Table 61.	AD converter test (31 / 47)	61
Table 62.	Read 1 (48)	62
Table 63.	Read 2 (49)	62
Table 64.	Document revision history	64

List of figures

Figure 1.	Block diagram	9
Figure 2.	Pinout diagram (top view)	10
Figure 3.	FM AGC - Controlled current output mode 1	18
Figure 4.	FM AGC - Controlled current output mode 2	18
Figure 5.	FM AGC - Controlled Voltage / current output	19
Figure 6.	AM AGC - Controlled current output mode 1	24
Figure 7.	AM AGC - Voltage and current mode with hand-over	24
Figure 8.	Application information	40
Figure 9.	Address organization	41
Figure 10.	LQFP64 (10x10x1.4mm) exposed pad down mechanical data and package dimensions .	63

1 Product description

1.1 Summary

The TDA7528 is a front-end module for use in car radio receivers on the 50 kHz - 108 MHz and 161 MHz - 163 MHz frequency bands. Its field of use includes all the current radio broadcast services worldwide on long, medium and short wave, CB radio, FM radio on the OIRT, Japanese and ITU frequency bands and the American weather band. Both analogue AM and FM and digital standards such as DRM and HD radio (IBOC) can be handled.

The receiver is designed as a single super-heterodyne with an intermediate frequency of 10.7 MHz. The IF signal is digitized, filtered and demodulated in the appropriate backend IC. The combination of two independently-operating front-ends with the backend makes phase diversity operation possible or the simultaneous reception of two freely-selectable frequencies with any combination of types of demodulation.

The TDA7528 IMR mixer has separate input- and output-stages for AM frequency bands up to 30 MHz (narrowband services) and for FM frequencies above 30 MHz (broadband signals).

As an option, the AM path can be operated with an integrated preamplifier stage and an integrated low-pass filter to reduce interfering input signals on the IF and image frequencies. The mixer has two FM inputs with different properties. The more sensitive (lower noise) input is intended for the use of a passive pre-selection stage and the high level, advanced IP3 input for an active preamplifier stage. The mixer outputs have a single ended low impedance design to drive one or two IF filters with different bandwidths. A switchable gain IF amplifier, independent IF AGC and an integrated anti-aliasing stage drive the IF A/D converter of the backend. Programmable RF AGCs to actuate adjustable preamplifier stages and two D/A converters for tuning external filter stages complete the reception path.

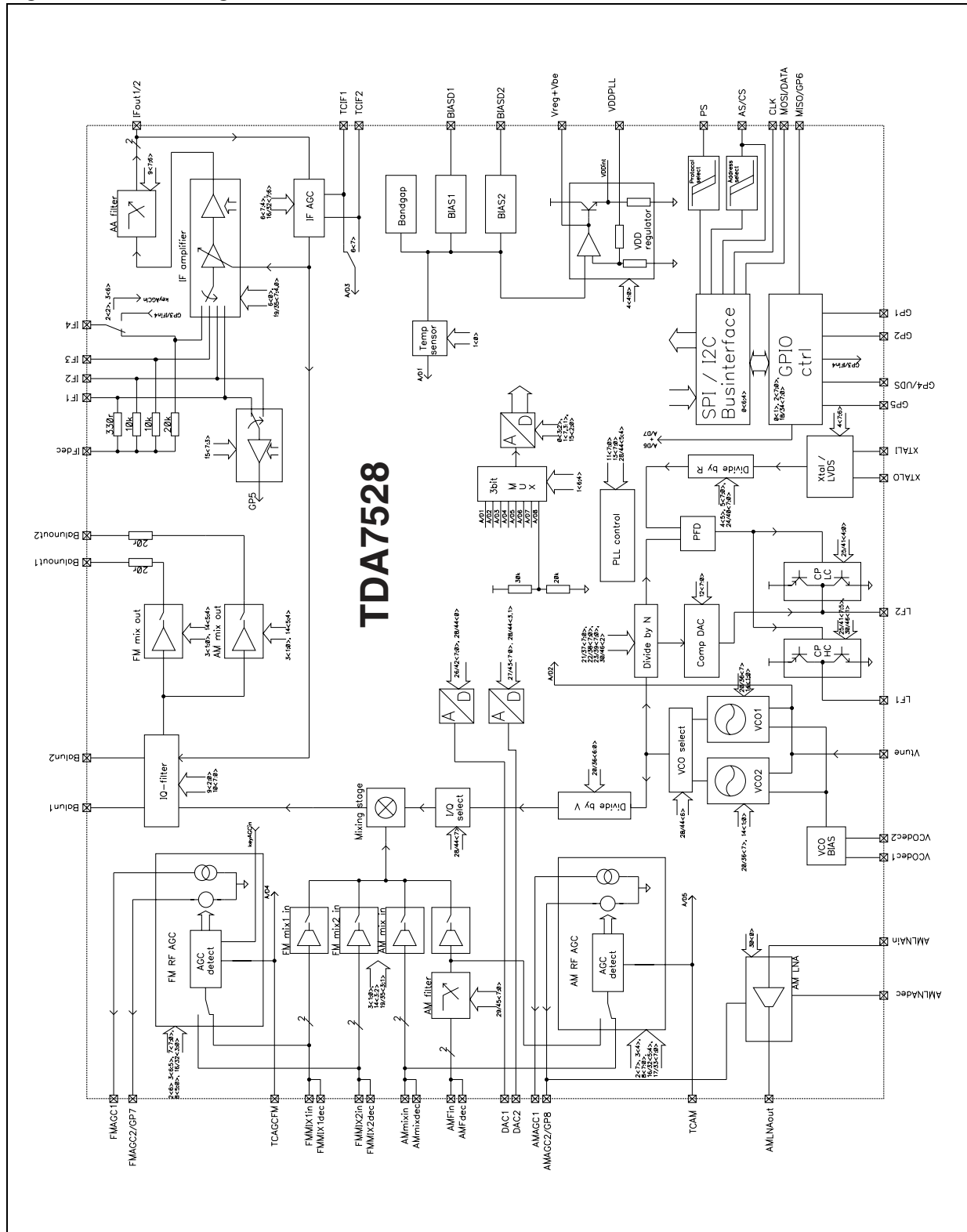
Two fully-integrated VCOs are included in the TDA7528, oscillating in a range around 3.7 GHz and 4.7 GHz respectively. The output signal of the selected VCO drives a programmable divider generating the LO signal for the mixer stage. The PLL, integrated with the exception of the loop filter, facilitates reception on all the above-mentioned frequencies, rapid frequency changes in the standard tuning steps of 50 kHz for FM, 9 or 10 kHz for LW and MW and 5 kHz for SW. The smallest available tuning steps are 12.5 kHz for FM and 1 kHz for all AM bands.

The TDA7528 is controlled by a serial command interface, switchable between SPI and I²C protocol. The external reference source is typically 74.1 MHz. However, the TDA7528 also has its own reference oscillator.

All the necessary calibration steps can be carried out electronically during production. An integrated temperature sensor facilitates the adaptation of various parameters during operation, like IF gain or AGC threshold.

1.2 Block diagram

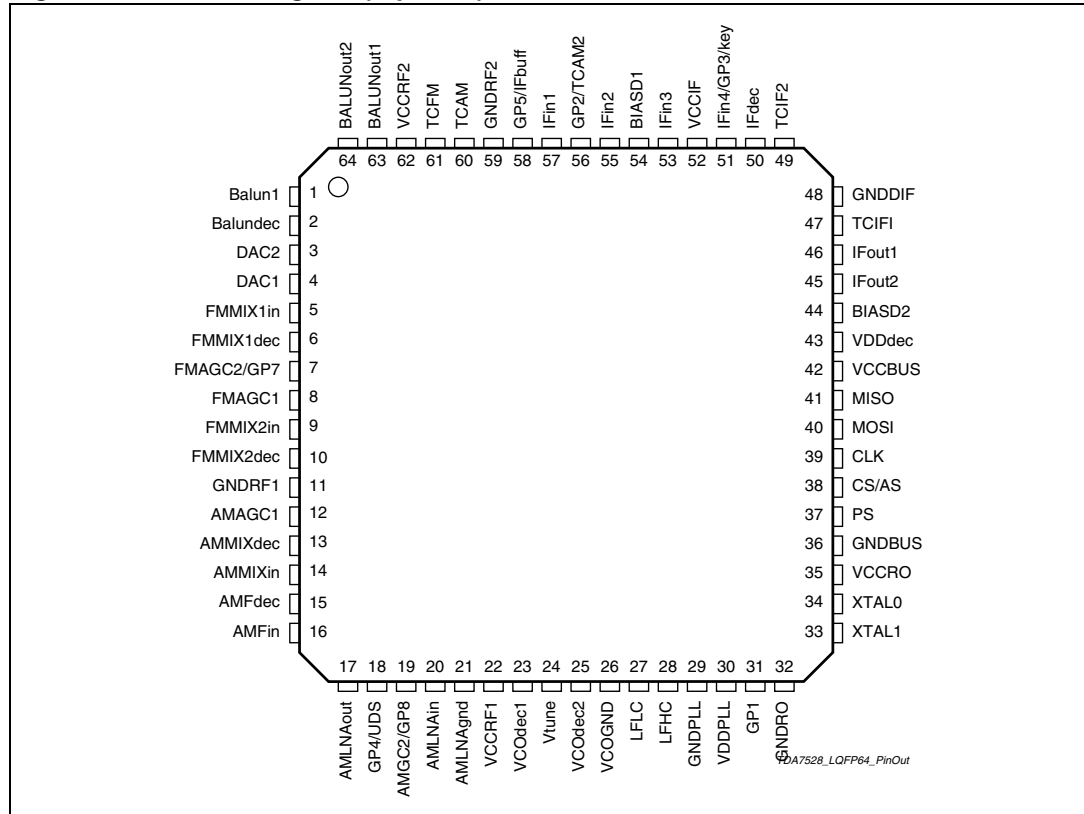
Figure 1. Block diagram



2 Pin description

2.1 Pin connection

Figure 2. Pinout diagram (top view)



2.2 Pin description

Table 2. Pin function description

Pin #	Pin name	Description
1	BALUN1	Active balun input 1
2	BALUNdec	Active balun input 2 (decoupling)
3	DAC2	Tuning DAC 2 output
4	DAC1	Tuning DAC 1 output
5	FMMIX1in	FM mixer input – high gain stage = mode 1
6	FMMIX1dec	FM mixer decouple
7	FMAGC2/GP7	FM AGC voltage output / alternative GP7 output
8	FMAGC1	FM AGC current output for PIN diode
9	FMMIX2in	FM Mixer input – low gain stage = mode2

Table 2. Pin function description (continued)

Pin #	Pin name	Description
10	FMMIX2dec	FM Mixer decouple
11	GNDRF1	GND RF1 section
12	AMAGC1	AMAGC PIN diode driver output
13	AMMIXdec	AM mixer decouple
14	AMMIXin	AM mixer input
15	AMFdec	Decoupling of AM filter
16	AMFin	Input of AM filter
17	AMLNAout	AM LNA output
18	GP4/UDS	GPIO 4 / UDS input
19	AMAGC2/GP8	AM AGC voltage output / alternative GP8 output
20	AMLNAin	AM LNA input
21	AMLNAGND	AM LNA Ground
22	VCCRF1	Supply RF1 section
23	VCOdec1	BIAS decouple for VCO
24	Vtune	VCO tuning voltage
25	VCOdec2	BIAS decouple for VCO
26	GNDVCO	VCO Ground
27	LFLC	Loop filter low current output
28	LFHC	Loop filter high current output
29	GNDPLL	PLL Ground
30	VDDPLL	Supply PLL
31	GP1	GPIO 1
32	GNDRO	Ground PLL digital part
33	XTALI	Reference oscillator input
34	XTALO	Reference oscillator output
35	VCCRO	Supply PLL digital part
36	BUSGND	BUS interface Ground
37	PS	Protocol Select
38	CS/AS	Chip select / Address select
39	CLK	SPI / I2C clock
40	MOSI	SPI data input / I2C Data
41	MISO	SPI data output / GP6
42	VCCBUS	Supply of BUS interface
43	VDDdec	Decouple of internal 3.3V (=3,3V + Vbe)
44	BIASD2	Decoupling for biasing

Table 2. Pin function description (continued)

Pin #	Pin name	Description
45	IFout2	Differential IF output 2
46	IFout1	Differential IF output 1
47	TCIF1	time constant IF AGC for AM
48	GNDIF	ground IF section
49	TCIF2	time constant IF AGC for FM
50	IFdec	Decouple of IF amplifier
51	IFin4 / GP3	IF input 4 (= AM IBOC input) / GPIO 3
52	VCCIF	Supply IF section
53	IFin3	IF input 3 (= AM analog input)
54	BIASD1	Decoupling for biasing
55	IFin2	IF input 2 (= FM IBOC input)
56	GP2/TCAM2	GPIO 2 / input for 2nd order time constant of AM AGC
57	IFin1	IF input 1 (= FM analog input)
58	GP5/IFbuff	GPIO 5 / IF buffer amplifier output
59	GNDRF2	GND RF2 section = active balun GND
60	TCAM	AM AGC time constant
61	TCFM	FM AGC time constant
62	VCCRF2	Supply voltage RF2 section
63	Balunout1	Active balun output 1 = FM output
64	Balunout2	Active balun output 2 = AM output

3 Electrical characteristics

3.1 Absolute maximum ratings

Table 3. Absolute maximum ratings

Symbol	Parameter	Value	Unit
V_{CC}	Supply voltage	5.5	V
V_{DD}	Supply voltage	3.6	V
T_{amb}	Ambient temperature range	-40 to 125	°C
T_s	Storage temperature	-55 to 150	°C
T_j	Max. junction temperature	150	°C

Operating temperature and supply voltage range: -40 °C to 105 °C; 4.7 V to 5.35 V.
 All specification parameter are fulfilled in this temperature and supply voltage range, unless otherwise specified. Typical values reflect average measurement at $T_{amb} = 25$ °C, $V_{CC} = 5.0$ V and $V_{DD} = 3.3$ V.

3.2 General parameters

Table 4. General parameters electrical characteristics

Symbol	Parameter	Test conditions	Min.	Typ	Max	Unit
V_{CC}	5V supply voltage	Full performance	4.7	5	5.35	V
		Fully functional but with reduced performance	4.6	-	4.7	V
V_{DD}	3.3V supply voltage	When used with external 3.3 V power supply regulator	3.1	3.3	3.5	V
	V_{CC} slew rate range	-	0.01	-	1000	V/ms
I_{CC}	Supply current @5V typ	FM typical application	-	160	200	mA
		AM external pre-stage	-	160	200	mA
		AM integrated pre-stage	-	175	215	mA
I_{CCmax}	Max supply current	FM, max application, (FM typ + Xtal, IF-buffer, AMAGC)	-	170	215	mA
I_{CC_pwd}	Supply current @5V in power down mode	-	-	7	11	mA
P_{max}	Power dissipation	FM typical application	-	650	950	mW
		AM external pre-stage	-	650	950	mW
		AM integrated pre-stage		710	1015	mW
T_{amb}	Ambient temperature range	Full performance, unless otherwise specified	-40	-	105	°C
T_{extend}	Extended ambient temperature range	Signal path functional with reduced performance	105	-	125	°C

3.3 Power management and voltage regulator

The TDA7528 has a single 5 V supply. The 3.3 V supply for the VCO must be derived from an external NPN transistor controlled by the internal voltage regulator. It is also possible to use an external 3.3 V regulator. In this case, special care has to be taken on this 3.3V .

3.3.1 Power management

The TDA7528 detects whether all the voltages are high enough and stable when the operating power supply is applied. The power-on reset is tripped and all the control registers are set to "low" if this condition is not met.

As long as the voltages remain within the permissible range, the SPI/I²C interface is active (in the I²C mode this can be detected by the μ P through the acknowledge signal on every communication with the bus master).

The SPI-/I²C interface is in power-on mode when the operating voltage is applied to the TDA7528.

The following function groups can be switched on/off via SPI/I²C:

- PLL {divider R, N and V, PFD, charge pump, VCO1 (3,7 GHz-VCO) or VCO2 (4,7 GHz-VCO), Reference-Oscillator or LVDS input buffer}
- FM/AM-mixer and active balun, FM-AGC
- D/A-converter_1
- D/A-converter_2
- AM-LNA
- AM-low pass filter
- AM-AGC
- IF-section {IF-amplifier, anti-aliasing-filter, IF-AGC}
- GPIO
- temperature-sensor,
- Sensor ADC

3.3.2 Power-on circuit and low supply voltage detector

Power-on circuit:

The power-on circuit produces a reset whenever one of the following voltages is below its POR level. (BIASD1, BIASD2 < 1.2 V; VDDPLL < 2.4V; VCCIF < 3.8 V)

Low supply voltage detector:

The "PWR_STABLE_read" status bit has the value "0" after power on. This bit is set to "1" by an SPI/I²C write command from the microcontroller in initialization communication to the "PWR_STABLE_write" bit. The microcontroller cannot reset the "PWR_STABLE_read" bit. A "0" transmitted in the "PWR_STABLE_write" bit has no effect.

If the power supply falls below the programmed threshold all registers are set to their power-on default, including that the "PWR_STABLE_read" bit is set to "0". By this the microcontroller can verify at any time whether a critical drop in voltage (value "0") has taken place since the last TDA7528 read out of this bit. The threshold voltage can be calibrated

indirect by measuring the DAC1 (9 bit) output voltage for DAC1=0x200 or the DAC2 (8 bit) output voltage for DAC2=0x100).

The PWR_STABLE functionality can be switched on/off. The default value is the switched off mode.

Table 5. Voltage sag detection electrical characteristics

Symbol	Parameter	Test conditions	Min.	Typ	Max	Unit
V_{STHmin}	Min. supply voltage threshold	-40 to 150 °C, $T_j \leq 150$ °C	4.1	4.3	4.5	V
V_{STHmax}	Max supply voltage threshold	-	4.4	4.6	4.9	V
-	Step size	-	-	100	-	mV
t_c	Time constant	-	-	1	-	μ s

3.3.3 Voltage regulator

The internal voltage regulator drives the external transistor for the 3.3V supply of the VCO and PLL. The 3.3 V voltage regulator for the bus interface and the reference oscillator is fully integrated.

Table 6. Voltage regulator electrical characteristics

Symbol	Parameter	Test conditions	Min.	Typ	Max	Unit
V_{DD}	3.3V supply voltage	Internal voltage regulator with external power transistor	3.1	3.3	3.5	V
I_{DD}	current of external V_{DD}	Current through external transistor or from external 3.3 V supply	-	60	80	mA

When an external 3.3 V supply is used for the VCO and PLL supply, special care has to be taken on the supply voltages during the ramp-up phase:

- the 3.3 V supply must never be higher than the 5 V supply;
- the difference between 5 V and 3.3 V must never exceed 3.6 V.

The second prerequisite is automatically met using a 3.3 V Z-diode between the 5 V and the 3.3 V supplies.

3.4 FM - Section

3.4.1 IMR and active balun

The IMR mixer has two software-selectable FM inputs (referred to as mode 1 and mode 2). These inputs are implemented with different gains, noise figures, IIP3, maximum input signal.

There are two single ended outputs of the IMR mixer. One is dedicated to FM (Balunout1) and the other to AM (Balunout2). It is not recommended to use both outputs in parallel.

Table 7. IMR and active balun electrical characteristics

(All parameter are referred to Balunout1, unless otherwise specified)

Symbol	Parameter	Test condition	Min.	Typ	Max	Units
G_{mix1}	Gain vs. Balunout1	Mode 1 (unloaded gain)	20	22	24	dB
G_{mix2}	Gain vs. Balunout1	Mode 2 (unloaded gain)	13	15	17	
G_{mix1}	Gain vs. Balunout2	Mode 1 (unloaded gain)	16	18	20	dB
G_{mix2}	Gain vs. Balunout2	Mode 2 (unloaded gain)	9	11	13	
-	Absolute gain error	@ 100 MHz @ 25°C	-	-	± 1.0	dB
-	Gain error vs. frequency	Freq. range @ 25°C 47,0 to 74,0 MHz 76,0 to 90,0 MHz 87,5 to 108,0 MHz 30,0 to 170,0 MHz	-	-	± 0,5 ± 0,5 ± 0,5 ± 2,0	dB
-	Gain error vs. temperature	-40 °C to 105 °C	-	-	± 2,0	dB
-	Gain attenuation range	Controlled by IF-AGC	17.5	20	-	dB
-	Input impedance	Mode 1 Mode 2	5 5	-	-	kΩ
-	Input resistance	Mode 1 Mode 2	30 9.5	50 12.5	19.5	kΩ
-	Output impedance	Active balun	15	20	30	Ω
-	External load	Full current: reg14[5] = 0 Red. current: reg14[5] = 1	320 600	-	-	Ω Ω
V_{out_max}	Max. output voltage	1dB below 1dB compression point	121	123	-	dBμV
V_{in_max}	Max. input voltage	Mode 1 Mode 2 1dB below 1dB compression point	100 108	-	-	dBμV
$V_{noise}^{(1)}$	Input noise voltage – mode1 Input noise voltage – mode2	Rsource=1.5 kΩ, noiseless in 65 MHz-170 MHz range Rsource = 800 Ω, noiseless in 65 MHz-170 MHz range	-	3.1 5	3.7 6	nV/√ Hz
d_{noise}	vnoise*atten*dnoise	AGC noise behavior @ 6 dB attenuation	-	6	-	dB

Table 7. IMR and active balun electrical characteristics (continued)

(All parameter are referred to Balunout1, unless otherwise specified)

Symbol	Parameter	Test condition	Min.	Typ	Max	Units
IIP3 ⁽¹⁾	3 rd order intercept point Reg9[5:4]=00	Mode 1 up to Vin/tone = 90 dB μ V	123	125		dB μ V
		Mode 2 up to Vin/tone = 98 dB μ V	126	133	-	
		up to 95 °C junction temperature	130			
	3 rd order intercept point in reduced current mode	Mode 1; reg14[3:2]=01	-	120	-	dB μ V
Mode 2; reg14[3:2]=01 60 °C up to 125 °C junction temperature		130	132	-		
Mode 1; reg14[3:2]=10		-	117	-		
Mode 2; reg14[3:2]=10 junction temperature > 90 °C		129	130	-		
IIP2 ⁽¹⁾	2 nd order intercept point	Mode 1 Mode 2	144 157	- -	- -	dB μ V
IFattn	IF- output attenuation (without external circuitry)	@ 26.35 MHz @ 100 MHz	1 9	2	-	dB
-	IF rejection	-	38	-	-	dB
V _{LO_IN}	LO signal @ mixer input	R _{source} = 1.5 k Ω @ fundamental LO freq. @ LO harmonics	-	-	10 40	dB μ V
V _{LO_OUT}	LO signal @ balun output	Incl. LC-tank with Q=2, R _{load} = 1.0 k Ω @ fundamental LO freq. @ LO harmonics	-	-	66 60	dB μ V
I _{QG}	I/Q gain adjust	4bit	-	-0.7 0.7	-	dB
	Min. Max.					
-	gain step	-	-	0.1	-	dB
P _{IQ}	I/Q phase adjust	4bit	-	-1.2 1.2	-	°
	Min. Max.					
-	Phase step	-	-	0.2	-	°
-	Center frequency adjust	3bit	-	-2.4 2.4	-	MHz
	Min. Max.					
-	Frequency step	-	-	0.6	-	MHz
IRR	Image rejection ratio	without gain/phase adjust	30	45	-	dB
		with freq/gain adjust @ 25°C	45	-	-	
		with freq/gain/phase adjust vs. complete temp. range	40	-	-	

1. Parameter not guaranteed by production test

3.4.2 FM AGC

The time constant of the FM AGC is defined by an external capacitor and the programmable internal currents (details given in the [Table 8](#)). The currents can be selected independently for AGC attack and decay. By this a symmetrical behavior rather than a 2...250 times faster attack behavior can be programmed.

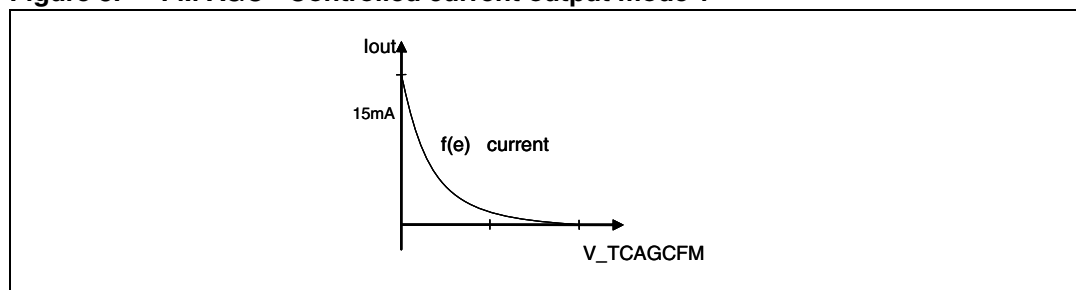
Control behavior:

The FM-RF-AGC is realized with two output pins which control the gain of the corresponding pre-stage.

The control behavior can be programmed to the following modes:

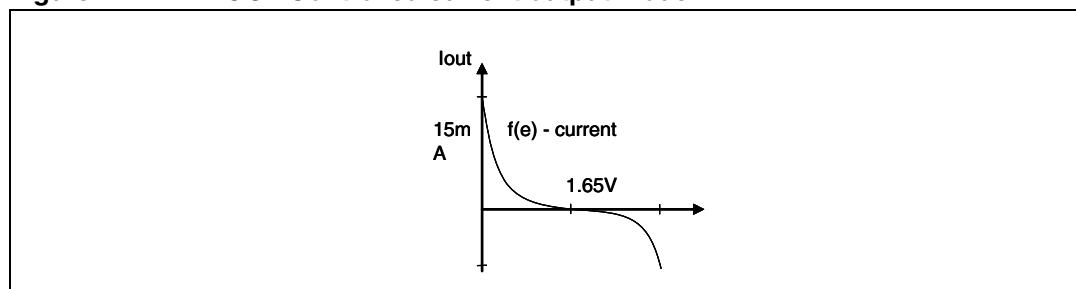
1. **Controlled current output mode 1**
 data byte FMAGC[3:0] = 1000
 positive current $I = f(e)$: after reaching the AGC threshold voltage the current output delivers a current $I = f(e)$ up to -15 mA in a voltage range from 0.2V up to $V_{CC}-1.5$ V.

Figure 3. FM AGC - Controlled current output mode 1

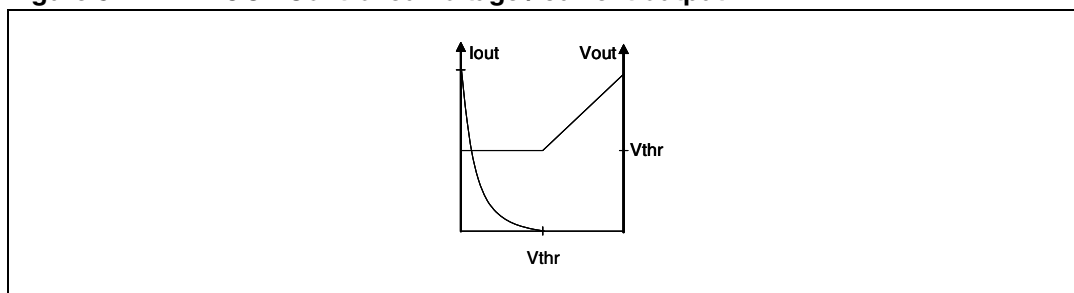


2. **Controlled current output mode 2**
 data byte FMAGC[3:0] = 1100
 Below the AGC threshold voltage the AGC output sinks a constant current of 5 mA. When the RF input level crosses the AGC threshold voltage the current is reduced down to 0mA with a quasi-log. behavior. At half control voltage the current becomes positive and reaches up to -15 mA following an exponential function.

Figure 4. FM AGC - Controlled current output mode 2



3. **Constant current mode**
 data byte FMAGC[3:0] = 0100
 The output current can be set to 2 mA source current. The AGC detector is in power-down mode and only the pin diode driver is active.
4. **Controlled Voltage / current output**
 data byte FMAGC[3:0] = 1011
 voltage and current mode with hand-over: the V_{thr} level is programmable in the range of 0.2 V to 2.6 V.

Figure 5. FM AGC - Controlled Voltage / current output**5. Calibration mode**

data byte FMAGC[3:0] = 0010

calibration mode for voltage output: The voltage V_{thr} can be switched directly to the voltage output pin.

All other possible bit combinations of data byte FMAGC[3:0] are not recommended.

The voltage output can be configured as GPO.

The FMAGC2 output (voltage output) is short-circuit protected by a current limiter. The FMAGC1 output (current output) needs an external resistor for current limitation. The current output is voltage-tolerant up to V_{CC} , the voltage output up to V_{DD} .

The microcontroller can read the voltage at the AGC capacitor via the serial control interface. On request of the microcontroller the measurement is done by applying the time constant capacitor voltage to the central ADC (specified in chapter 3.10) and gives information to calculate the AGC-attenuation.

The FM AGC system is controlled by a peak detector.

The Key AGC function is controlled by a D/A converter in the backend.

Table 8. FM-AGC electrical characteristics

Symbol	Parameter	Test condition	Min.	Typ	Max	Units
Lthr	Threshold RF level Min. Threshold	Referred to mixer input	-	-	-	-
		Mode 1 - high gain mixer	-	86	-	dB μ V
	Mode 2 – low gain mixer	-	92	-		
	Max Threshold	Mode 1 - high gain mixer	-	100	-	
Mode 2 – low gain mixer		-	106	-		
-	Threshold steps	4 bit control	0.5	1	1.5	dB
-	Threshold error	30 to 170 MHz @ 25 °C	-1.5	-	1,5	dB
-	Total threshold error	30.0 to 170.0 MHz	-3	-	3	dB
-	Temperature behavior of AGC thresholds	-	-	0.011	-	dB/°C
-	Frequency range	-	30	-	170	MHz
-	Pin diode source current ($I \approx -1.5 \text{ mA} * (\exp(V_{DD} - V_{AGTC}) - 1)$)	$V_{AGTC} < 1V$ (due to exponential behavior, external resistor needed)	-	-	-10	mA
-	Pin diode sink current ($I \approx 1 \text{ mA} * (\exp(V_{AGTC} - 1.65V) - 1)$)	$V_{AGTC} = V_{DD}$ (due to exponential behavior, external resistor needed)	3	-	-	mA

Table 8. FM-AGC electrical characteristics (continued)

Symbol	Parameter	Test condition	Min.	Typ	Max	Units
-	Pin diode source current in constant current mode	-	-	-2	-1	mA
-	Min. voltage	AGC control pin 1 @ positive current mode @ pos/neg current mode	-	-	0.2 0.4	V
-	Max. voltage	AGC control pin 1	$V_{CC}-1.5$	$V_{CC}-1.3$	-	V
-	Max. source current	AGC control pin 2; voltage output	1	-	-	mA
-	Min. sink current	AGC control pin 2; voltage output	-	-100	-	μ A
-	Max. output voltage in analog voltage mode (follower mode)	AGC control pin 2 @ $I_{load} = 1$ mA	$V_{DD}-0.3$	-	V_{DD}	V
-	Min. output voltage in analog voltage mode	AGC control pin 2 @ $I_{load} = -50$ μ A	-	-	1	V
V_{thr_min}	V_{thr_min}	-	0.1	0.2	0.3	V
V_{thr_max}	V_{thr_max}	-	2.4	2.6	2.8	V
-	Step size of V_{thr}	6bit	-	40	-	mV
DNL	nonlinearity of V_{thr}	-	-0.5		0.5	LSB
-	I attack for 6dB control error	Mode A1 Mode A2 Mode A3	30 150 0.75	50 250 1.25	80 400 2.0	μ A
-	I decay max	Mode D1 Mode D2 Mode D3	-6 -30 -150	-4 -20 -100	-2.5 -12 -60	μ A
-	Typical AGC time constant for attack ⁽¹⁾	$C_{AGCTC} = 1$ μ F, mode A2 AGC conductance versus $V_{AGCTC} = 20$ dB/V	-	0.5	-	ms
-	Typical AGC time constant for decay ⁽¹⁾	$C_{AGCTC} = 1$ μ F, mode D2 AGC conductance versus $V_{AGCTC} = 20$ dB/V	-	15	-	ms
-	Threshold shift keyed AGC	Control input range = 0.2 to 1 V	-	19	-	dB/V
-	Keyed AGC range	-	10	-	-	dB

1. The time constant is defined as the 1τ value after a 6 dB level step

3.5 AM - Section

3.5.1 AM LNA

Table 9. AM LNA electrical characteristics

Symbol	Parameter	Test condition	Min.	Typ	Max	Units
gm	Transconductance	@ 25°C	10	15	20	mS
-	Gain error vs. frequency	Freq. range 150 to 350 kHz 520 to 1710 kHz 2.0 to 30.0 MHz 0.05 to 30.0 MHz	-	-	± 0.5 ± 0.5 ± 1.0 ± 2.5	dB
-	Input impedance	-	500	1000	-	kΩ
vnoise ⁽¹⁾	Input noise voltage	@ 1 MHz @ 150 kHz	-	1.7 2.6	2	nV/√Hz
IIP3 ⁽¹⁾	3 rd order intercept point	@ gain 20 dB	123	128	-	dBμV
IIP2	2 nd order intercept point	@ gain 20 dB	127	132	-	dBμV
AGC	AGC range	-	8	-	-	dB

1. Parameter not guaranteed by production test

3.5.2 Switchable LPF 4th order

Table 10. Switchable LPF 4th order electrical characteristics

Symbol	Parameter	Test condition	Min.	Typ	Max	Units
f _{LP1}	LP corner frequency 1	Mode 1 ⁽¹⁾	1.71	-	1.95	MHz
f _{LP2}	LP corner frequency 2	Mode 2 ⁽¹⁾	6.2	-	7.1	MHz
f _{LP3}	LP corner frequency 3	Mode 3 ⁽¹⁾	14.0	-	16.0	MHz
f _{LP4}	LP corner frequency 4	Mode 4 ⁽¹⁾	22.0	-	25.5	MHz
f _{LP5}	LP corner frequency 5	Mode 5 ⁽¹⁾	26.1	-	31.0	MHz
G	Gain incl. mix vs. Balunout1	-	3	4.5	6	dB
G	Gain incl. mix vs. Balunout2	-	-1	0.5	2	dB
-	Passband ripple ⁽²⁾	-	-	-	-	-
-	Stop band attenuation	Mode=1 @ 10.7 MHz (LW+MW) @ >22MHz Mode=2 @ >28 MHz (KW low) @ >87.5 MHz Mode=3 @ >43 MHz (KW mid) @ >87.5 MHz Mode=4 @ >74 MHz (KW high) @ >87.5 MHz Mode=5 @ >74 MHz (11m) @ >87.5 MHz	40 60 30 60 20 45 25 30 20 25	-	-	dB

Table 10. Switchable LPF 4th order electrical characteristics (continued)

Symbol	Parameter	Test condition	Min.	Typ	Max	Units
Vnoise ⁽²⁾	Input noise voltage incl. IMR noise	@ 1 to 30 MHz, @ 25°C @ 0.15 to 1 MHz, @ 25°C	-	30 33	34 37	nV/√ Hz
IIP3	3 rd order intercept point	Up to 10 MHz input frequency	137	140	-	dBμV
IIP2 ⁽²⁾	2 nd order intercept point	Up to 10 MHz input frequency	160	-	-	dBμV

1. Corner frequency needs calibration
2. Parameter not guaranteed by production test

3.5.3 IMR and active balun

All parameter are referred to Balunout2, unless otherwise specified

Table 11. IMR and active balun electrical characteristics

Symbol	Parameter	Test condition	Min.	Typ	Max	Units
G	Gain	vs. Balunout2	7	9	11	dB
		vs. Balunout1	11	13	15	dB
-	Gain error	@ 1 MHz --> 10.7MHz	-	-	± 1.0	dB
-	Gain Error vs. frequency	freq. range 150 to 350 kHz 520 to 1710 kHz 2.0 to 30.0 MHz 0.05 to 30.0 MHz	-	-	± 0,5 ± 0,5 ± 1.0 ± 2,0	dB
-	Gain error vs. temperature	-40°C to 105 °C	-	-	± 2,0	dB
-	Gain attenuation range	IFAGC controlled	17.5	20		dB
-	Input impedance	For ext. LNA input	9.2	11.8	17.2	kΩ
-	Output impedance	-	15	20	30	Ω
-	Max. external load	-	400	-	-	Ω
Vmax	Max. output voltage	1 dB below 1 dB compression point	121	123	-	dBμV
Vin_max	Max. input voltage	Single tone	101	-	-	dBμV
		two tone	98	-	-	dBμV
Vin_max	Max. input voltage	@4.6 V-4.7 V single tone	99	-	-	dBμV
		two tone	96	-	-	dBμV
vnoise ⁽¹⁾	Input noise voltage	@ full gain 150 kHz-30 MHz		5.8	7.0	nV/√ Hz
IIP3 ⁽¹⁾	3 rd order intercept point	@ full gain Reg14[5:4] = 00	128	134	-	dBμV
		up to 95 °C junction temperature	131			

Table 11. IMR and active balun electrical characteristics (continued)

Symbol	Parameter	Test condition	Min.	Typ	Max	Units
-	3 rd order intercept point in reduced current mode	Reg14[5:4] = 01 60 °C up to 125 °C junction temperature	131	133	-	dB μ V
		Reg14[5:4] = 10 junction temperature > 90 °C	131	132	-	dB μ V
IIP2 ⁽¹⁾	2 nd order intercept point	-	159	-	-	dB μ V
-	IF-output attenuation	@ 26.35 MHz	1	-	-	dB
-	IF rejection	-	40	48	-	dB
V _{LO_IN} ⁽¹⁾	LO signal @ mixer input	R _{source} = 1.5 k Ω @ fundamental LO freq @ harmonics of LO freq.	-	-	10 30	dB μ V
V _{LO_OUT}	LO signal @ balun output using mixer input	Incl. LC-tank with Q=2, R _{load} = 1.0 k Ω @ fundamental LO freq. with 1 k Ω input termination resistor ⁽¹⁾ @ harmonics of LO freq.	-	-	95 80 66	dB μ V
	LO signal @ balun output, using low pass filter	Incl. LC-tank with Q=2, R _{load} =1.0 k Ω @ fundamental LO freq. @ harmonics of LO freq.	-	-	85 66	
I _{QG}	I/Q gain adjust	4 bit	-	-0.7 0.7	-	dB
	Min. Max.					
-	Gain step	-	-	0.1	-	dB
PIQ	I/Q phase adjust	4bit	-	-0.25 0.25	-	°
	Min. Max.					
-	phase step	-	-	0.25	-	°
-	Center frequency adjust	3bit	-	-2.4 2.4	-	MHz
	Min. Max.					
-	Frequency step	-	-	0.6	-	MHz
IRR	Image rejection ratio	Without gain/phase adjust	30	45	-	dB
IRR	Image rejection ratio	With gain/phase adjust @ 25°C	45	-	-	dB
IRR	Image rejection ratio	With gain/phase adjust vs. complete temp. range	40	-	-	dB

1. Parameter not guaranteed by production test

3.5.4 AM AGC

The time constant of the AM AGC is defined by an external capacitor and the programmable internal currents (details given in the [Table 12](#)).

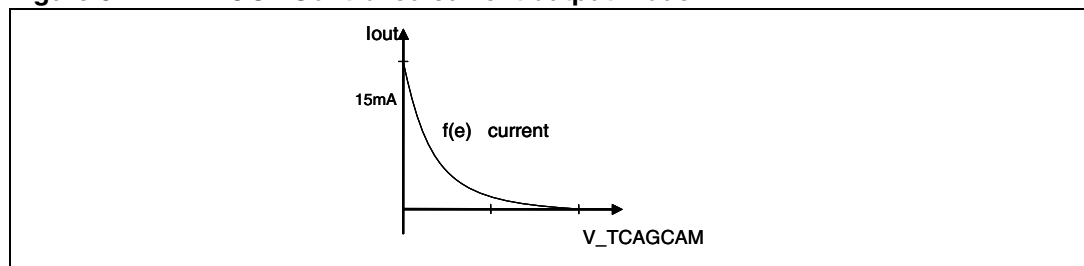
Control behavior:

The AM RF AGC is realized with two output pins which controls the gain of the corresponding pre-stage.

The control behavior can be programmed to the following modes:

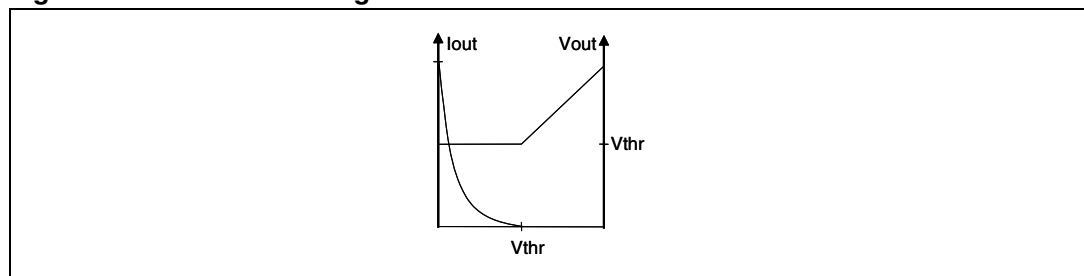
1. **Controlled current output mode 1**
 data byte AMAGC[3:0] = 1000
 positive current $I = f(e)$: after reaching the AGC threshold voltage the current output delivers a current $I = f(e)$ up to 15 mA in a voltage range from 0.1 V up to $V_{CC}-1.5$ V.

Figure 6. AM AGC - Controlled current output mode 1



2. **Constant current mode**
 data byte AMAGC[3:0] = 0100
 constant current mode: the output current can be set to 2 mA source current. The AGC detector is in power-down mode and only the pin diode driver is active.
3. **Voltage and current mode with hand-over**
 - a) internal feedback
 data byte AMAGC[3:0] = 1001
 voltage and current mode with hand-over: the V_{thr} level is programmable in the range 1 V to 2.6 V.
 This mode can be used in combination with both the internal and the external LNA. In combination with the internal AM LNA, the maximum output voltage is limited to 2.7 V.

Figure 7. AM AGC - Voltage and current mode with hand-over



- b) external feedback
 data byte AMAGC[3:0] = 1011
 Voltage and current mode with hand-over: the V_{thr} level is programmable in the range 0.2 to 2.6 V. The voltage V_{thr} is the internal reference voltage for the

external feedback to pin GP4/UDS. This mode can only be used with an external LNA.

4. Calibration mode for voltage output

- a) internal feedback
data byte AMAGC[3:0] = 1110
calibration mode for voltage output (mode 3.a.): the voltage V_{thr} can be switched directly to the voltage output pin. The reference voltage is programmable in the range described in 3.a.
- b) external feedback
data byte AMAGC[3:0] = 0010
calibration mode for external feedback (mode 3.b.): the output voltage is set to a value, that the feedback on GP4(UDS) is equal to V_{thr} . The reference voltage is programmable in the range described in 3.b.

All other possible bit combinations of data byte AMAGC[3:0] are prohibited.

The voltage output can be configured as GPO.

The AMAGC2 output (voltage output) is short-circuit protected by a current limiter. The AMAGC1 output (current output) needs an external resistor. The current output is voltage-tolerant up to VCC, the voltage output up to VDD.

The microcontroller (STA3005 backend) can read the voltage at the AGC capacitor via the serial control interface. On the microcontroller request, the measurement is done by connecting the time constant capacitor to the central ADC (specified in chapter 3.10); the information can be used to calculate the AGC attenuation.

The AM AGC system is controlled by an average detector.

The AM AGC can be enabled independently in AM and FM mode

Table 12. AM-AGC electrical characteristics

Symbol	Parameter	Test condition	Min.	Typ	Max	Units
Lthr	Threshold RF level Min. Threshold	Referred to mixer input	-	-	-	-
		AM mixer input	-	89	-	dB μ V
		AM filter input	-	94	-	dB μ V
	Max Threshold	AM mixer input	-	101.5	-	dB μ V
		AM filter input	-	106.5	-	dB μ V
-	Threshold steps	4 bit control	0.4	0.9	1.4	dB
-	Absolute threshold error	0.5 to 30.0 MHz @ 25 °C	-1	-	2	dB
-	Total threshold error	0.5 to 30.0 MHz	-2	-	3	dB
-	Absolute threshold error	0.1 to 0.5 MHz @ 25 °C	-0.5	-	3	dB
-	Total threshold error	0.1 to 0.5 MHz	-2	-	3.5	dB
-	Temperature drift of AGC thresholds	-	-	0.011	-	dB/°C
-	Frequency range	Reduced performance	0.05	-	0.1	MHz
-	frequency range	-	0.1	-	30	MHz

Table 12. AM-AGC electrical characteristics (continued)

Symbol	Parameter	Test condition	Min.	Typ	Max	Units
-	Pin diode source current ($I \approx 1.5 \text{ mA} * (\exp(V_{DD} - V_{AGCTC}) - 1)$)	AGC control pin 1 $V_{AGCTC} < 1 \text{ V}$ external resistor necessary	-	-	-10	mA
-	Min. voltage	AGC control pin	-	-	0.2	V
-	Pin diode source current in constant current mode	-	-	-2	-1	mA
-	Max. voltage	AGC control pin 1	$V_{CC} - 1.5$	$V_{CC} - 1.3$		V
-	Max. source current	AGC control pin 2; voltage output	-	-	-1	mA
-	Min. sink current	AGC control pin 2; voltage output	90	-	-	μA
-	Max. output voltage in analog voltage mode (follower mode)	AGC control pin 2 @ $I_{load} = 1 \text{ mA}$	$V_{DD} - 0.3$	-	V_{DD}	V
-	Min. output voltage in analog voltage mode	AGC control pin 2 @ $I_{load} = -50 \mu\text{A}$	-	-	1	V
V_{thr_min}	V_{thr_min}	-	0.1	0.2	0.3	V
V_{thr_max}	V_{thr_max}	-	2.4	2.6	2.8	V
-	Step size of V_{thr}	6 bit		40		mV
DNL	Nonlinearity of V_{thr}	-	-0.5		0.5	LSB
-	TC current for 6 dB control error	Mode T1 Mode T2 Mode T3	2.5 12 60	4 20 100	6.5 32 160	μA
-	I attack in fast attack mode @ 10 dB control error	Active if control deviation is more than 7 dB	0.9	1.7	2.3	mA
-	Typical AGC time constant ⁽¹⁾	$C_{AGCTC} = 1 \mu\text{F}$, mode T2 AGC conductance versus $V_{AGCTC} = 20 \text{ dB/V}$	-	15	-	ms

1. The time constant is defined as the 1τ value, means when the AGC is settled to 63% after a 6dB step

3.6 IF - Section

3.6.1 IF-Amplifier

Table 13. IF-Amplifier with anti aliasing filter and ADC buffer electrical characteristics

Symbol	Parameter	Test condition	Min.	Typ	Max	Units
Gain	Min. programmable gain	Input 1-3 (FM,HD,AM) Input 4 (HD-Radio AM)	-	23 16	-	dB
	Max programmable gain	Input 1-3 (FM,HD,AM) Input 4 (HD-Radio AM)	-	37 30	-	
Gstep	Gain step	3 bit control	1	2	3	dB
Gmin	Minimum gain of IF-Amplifier in AGC mode Input 1-3 Input 4	Full AGC reaction $V_{TCIF} < 1V$	14	17	19	dB
			7	10	12	
Gerr	Gain error	@ 10.7 MHz, AAfilt<1:0> =10	-2	-	2	dB
		with AAfilt<1:0> = 00	-4	-	2	dB
f_{cut}	Cut off frequency without calibration	-3 dB without calibration	10	15	21	MHz
f_{cut_cal}	Cut off frequency after calibration	-3 dB with calibration	13	15	17	MHz
-	Stop band attenuation with calibration	@ 26.35 MHz @ 47.75 MHz	15 30	-	-	dB
-	Pass band ripple	@ 400kHz bandwidth	-	-	0.5	dB
Rin_input1	Input impedance input 1	FM –input	265	330	400	Ω
Rin_input2	Input impedance input 2	HD-Radio FM input	5.5	10	18	k Ω
Rin_input3	Input impedance input 3	AM input	5.5	10	18	k Ω
Rin_input4	Input impedance input 4	HD-Radio AM input	11	20	34	k Ω
Vout_max	Max. output voltage	$R_L \geq 180 \Omega$	117	-	-	dB μ V
IIP3 ⁽¹⁾	3 rd order intercept point	Input stage 1-3 Input stage 4	120	125	-	dB μ V
			128	132	-	
OIP3 ⁽¹⁾	3 rd order intercept point	Up to 116 dB μ V output voltage, without AGC attenuation, $R_L \geq 180 \Omega$	142	145	-	dB μ V
IIP2 ⁽¹⁾	2 nd order intercept point	Input stage 1-3 input stage 4	147 157	-	-	dB μ V
Vnoise_input 1 ⁽¹⁾	Input noise voltage @ 330 Ω input	@ source impedance 330 Ω noiseless, @31 dB gain	-	3.5	4.2	nV/ \sqrt{Hz}
Vnoise_input 2 ⁽¹⁾	Input noise voltage @ 3.3 k Ω input	@ source impedance 470 Ω noiseless, @ 31 dB gain	-	3.8	4.6	nV/ \sqrt{Hz}

Table 13. IF-Amplifier with anti aliasing filter and ADC buffer electrical characteristics (continued)

Symbol	Parameter	Test condition	Min.	Typ	Max	Units
Vnoise_input 3 ⁽¹⁾	Input noise voltage @ 10 k Ω input	@ source impedance 2.2 k Ω noiseless, @31 dB gain, with external 2.7 k Ω input termination resistor	-	5	6	nV/ $\sqrt{\text{Hz}}$
Vnoise_input 4 ⁽¹⁾	Input noise voltage @ 10k Ω input	@ source impedance 2.2 k Ω noiseless, @ 24 dB gain, with external 2.7 k Ω input termination resistor	-	7.5	8.5	nV/ $\sqrt{\text{Hz}}$
Iout,max	Max. output current	With resistive load	4	-	-	mA
Zout	Output impedance	-	-	20	40	Ω
-	Isolation between different IF input ports ⁽¹⁾	@ Input impedance 2.5k Ω	30	-	-	dB

1. Parameter not guaranteed by production test

3.6.2 IF-AGC

The IF AGC system is controlled in AM with an average detector and in FM with a peak detector.

The time constant is defined with two external capacitors and programmable internal currents (details given in the table below).

The microcontroller can read the voltage at the AGC capacitor via the serial control interface. On request of the microcontroller the measurement is done by applying the time constant capacitor voltage to the central ADC (specified in chapter 3.10) and gives information to calculate the AGC-attenuation.

Table 14. IF-AGC electrical characteristics

Symbol	Parameter	Test condition	Min.	Typ	Max	Units
Lthr	AGC threshold IF level	Referred to differential output of ADC buffer	-	-	-	-
	Min. AGC threshold	FM	-	105	-	dB μ V
		AM	-	99	-	dB μ V
	Max AGC threshold	FM, Max. recommended AGC threshold 115 dB μ V	-	119	-	dB μ V
AM, Max. recommended AGC threshold 109 dB μ V		-	113	-	dB μ V	
-	Threshold steps	3 bit	1.5	2	2.5	dB
-	Absolute threshold error	10.7 MHz @ 25 °C (up to 117 dB μ V output voltage)	-1	-	1	dB
-	Total threshold error	10.7 MHz (up to 117dB μ V output voltage)	-2.5	-	2.5	dB
-	Temp drift of AGC threshold	FM-mode AM mode	-	0.008 0.0		dB/°C
-	IF gain deviation	Remaining gain control error	-	-	1	dB
-	Fast attack mode in AM-mode	Active if control deviation is more than 7dB	0.3	0.5	1	ms
-	Time constant in AM mode ⁽¹⁾ symmetric behavior (attack = decay)	With external 2.2 μ F capacitor, IF gain = 31 dB input 1-3; 24 dB input4 mode S1 (slow)	55	110	220	ms
		mode S2 (fast)	5.5	11	22	ms
-	Time constant in FM mode ⁽²⁾ asymmetric behavior	With external 220 nF capacitor, IF gain = 31 dB input1-3; 24 dB input4 decay mode U1 / U2	7	15	32	ms
		attack mode U1 (slow)	150	300	600	μ s
		attack mode U2 (fast)	30	60	120	μ s

1. The AGC time constant for AM is the 1τ value, means when the AGC is settled to 63% after a 6dB step

2. The AGC time constant for FM is the time needed to settle the AGC to 90% for a 6dB level step

3.6.3 IF buffer amplifier

The IF buffer amplifier is a programmable, single ended amplifier. The input for the IF buffer amplifier can be selected by software between IFin1 and IFin2. The output of the amplifier is multiplexed with GPIO5

Table 15. IF buffer amplifier electrical characteristics

Symbol	Parameter	Test condition	Min.	Typ	Max	Units
Gmin	Min. gain	Series resistance 220 Ω , terminated with 330 Ω	-	-11	-	dB
Gmax	Max. gain	Series resistance 220 Ω , terminated with 330 Ω	-	3	-	dB
Gstep	Gain step	3bit	-	2	-	dB
-	Absolute gain error	-	-3		3	dB
-	Relative gain error	Step by step	-1.5		1.5	dB
vnoise ⁽¹⁾	Input noise voltage	@ 10.7 MHz, 3 dB gain	-	8.5	15	nV/ $\sqrt{\text{Hz}}$
IIP3 ⁽¹⁾	3 rd order intercept point	@ gain 3 dB, Vout=1 Vpp with 500 $\Omega \leq R_L \leq 600 \Omega$	115	120	-	dB μ V
-	3 dB bandwidth	-	-	50	-	MHz
-	Output DC voltage	-	1.6	-	2.1	V
-	External output load	-	400	550	1000	Ω
-	Output impedance	-	80	140	250	Ω

1. Parameter not guaranteed by production test

3.7 Phase Locked Loop

Table 16. Phase Locked Loop electrical characteristics

Parameter	Test condition	Min.	Typ	Max	Units
Settling time FM ⁽¹⁾	$\Delta f < 0.01 \%$ @ $f_{\text{PFD}} = 300 \text{ kHz}$ fractional mode, with loop filter according application schematic	-		500	μs
	@ $f_{\text{PFD}} = 100 \text{ kHz}$ integer mode		300	500	
	VCC = 4.6 – 4.7V, $f_{\text{PFD}} = 300\text{kHz}$, loop filter according application schematic $f_{\text{PFD}} = 100 \text{ kHz}$	-	300	600	μs
Spurious suppression	Suppression of spurious with compensation DAC low current charge pump $50 \mu\text{A} \leq I_{\text{cp}} \leq 750 \mu\text{A}$	5	20	-	dB

1. Parameter not guaranteed by production test, depends on loop filter circuitry and CP current settings. For further information see application note information

3.7.1 VCO

Table 17. VCO electrical characteristics

Symbol	Parameter	Test condition, comments	Min.	Typ	Max	Units
f_{osc}	Frequency range VCO1	Tuning range, incl. switch between upper and lower range $0.2\text{ V} \leq V_{tune} \leq 4.2\text{ V}$	4480	-	4970	MHz
	Frequency range VCO2	Tuning range, incl. switch between upper and lower range $0.2\text{ V} \leq V_{tune} \leq 4.2\text{ V}$	3430	-	4010	MHz
-	Phase Noise of LO	At any LO frequency between 55.1 MHz and 118.7 MHz, VCO free running, NV=8 (VCO2), NV=10 (VCO1) @ 10 Hz @ 100 Hz @ 1 kHz @ 10 kHz @ 100 kHz	-	-40 -60 -86 -106 -126	-	dBc Hz
-	Phase Noise of LO min. requirements for AM,DRM	At any LO frequency between 10.7 MHz and 40.0 MHz VCO free running NV=25 (VCO2), NV=30 (VCO1) @ 1 Hz @ 10 Hz @ 100 Hz @ 1 kHz @ 10 kHz @ 100 kHz	-	-33 -40 -80 -90 -100 -120	-	dBc Hz
-	Deviation error ⁽¹⁾	FM reception, deem phase $50\mu\text{s}$, $f_{NF}=20\text{ Hz to }20\text{ kHz}$ @ min. VCO frequency NV=8 (VCO2), NV=10 (VCO1) $f_{PFD}=300\text{ kHz}$ ⁽²⁾ , loop filter according application schematic $f_{PFD}=1.9\text{ MHz}$ ⁽³⁾	-	8	8	Hz
-	KVCOmax/KVCOmin	For tuning voltage range $0.2\text{ V} - 4.2\text{ V}$	-	5	7	-
PSRR ⁽¹⁾	Power supply ripple rejection ratio	-	20	-	-	dB
V_{VCO_OUT} ⁽¹⁾	VCO signal emission	@ tuning voltage input, 1 k Ω load	-	-	60	dB μ V

1. Parameter not guaranteed by production test
2. Adaptation of low current CP values needed
3. With appropriate loop filter circuit

3.7.2 Reference oscillator / reference frequency input buffer

Table 18. Reference oscillator / reference frequency input buffer electrical characteristics

Parameter	Test condition, comments	Min.	Typ	Max	Units
Reference oscillator mode – fundamental crystal					
Oscillation frequency	Fundamental mode	-	74.1	-	MHz
Phase noise	@ 1 Hz	-	-20	-	dBc
	@ 10 Hz	-	-50	-	dBc
	@ 100 Hz	-	-80	-	dBc
	@ 1 kHz	-	-110	-	dBc
	@ 10 kHz	-	-130	-	dBc
	@ 100 kHz	-	< -130	-	dBc
	@ 1 MHz	-	< -130	-	dBc
Frequency stability	Degradation generated by the oscillator	-20	-	20	ppm
Single ended input					
Input frequency	-	-	-	75	MHz
Input voltage range	Single ended mode	200	-	1000	mV _{PP}
Input impedance	Single ended mode	10	-	-	kΩ
Reference frequency input buffer mode					
reference input frequency	differential input	0.1	-	150	MHz
max input voltage high	-	-	-	1475	mV
min. input voltage low	-	925	-	-	mV
Input differential voltage	-	247	-	454	mV
Input offset voltage	-	1125	-	1275	mV
input impedance	-	150	-	-	kΩ

3.7.3 Divider

The mixer divider V is followed by a division-by-4-stage that generates 0°/90°/-90° LO signals for the IMR mixer (90°/-90° mode to switch between upper or lower sideband suppression in the IMR).

The main divider N can be operated in integer mode or in fractional mode. Three fraction factors are programmable: 2, 3 and 6. A fractional compensation circuit is located at the charge pump. The compensation acts for the low current only.

Table 19. Divider electrical characteristics

Symbol	Parameter	Test condition, comments	Min.	Typ	Max	Units
Mixer divider V – integer values						
N _V	Divider value divider_V	7 bit	5	-	131	-
Main divider N – fractional 2, 3 and 6 / integer divider						
N _N	Divider value divider_N	22bit (32/33 pre scaler)	1024	-	4194304	-
Reference divider R – integer values						
N _R	Divider value divider_R	16 bit	1	-	65535	-

3.7.4 Phase frequency detector and charge pump

Table 20. Phase frequency detector and charge pump electrical characteristics

Symbol	Parameter	Test condition	Min.	Typ	Max	Units
PFD						
f_{PFD}	PFD input frequency	-	2	-	3000	kHz
Charge pump						
I_{sink}	Sink current fractional compensation only for low current modes (bit 5 – bit 8)	High current mode bit1	-	-0.65	-	mA
		high current mode bit2	-	-1,3	-	mA
		High current mode bit3	-	-2,5	-	mA
		High current mode bit4	-	-4,6	-	mA
		Low current mode bit1	-	-65	-	μA
		Low current mode bit2	-	-130	-	μA
		Low current mode bit3	-	-260	-	μA
		Low current mode bit4	-	-520	-	μA
I_{source}	Source current fractional compensation only for low current modes (bit 5 – bit 8)	High current mode bit1	-	0.65	-	mA
		high current mode bit2	-	1.3	-	mA
		High current mode bit3	-	2.5	-	mA
		High current mode bit4	-	4.6	-	mA
		low current mode bit1	-	65	-	μA
		Low current mode bit2	-	130	-	μA
		Low current mode bit3	-	260	-	μA
		Low current mode bit4	-	520	-	μA
-	Low current mode bit5	-	980	-	μA	
-	Current error	-	-	-	± 30	%
V_{OH}	Output voltage high	-	$V_{\text{CC}}-0.3$	-	V_{CC}	V
V_{OL}	Output voltage low	-	-0.05	-	0.15	V

3.8 Temperature sensor

Table 21. Temperature sensor electrical characteristics

Parameter	Test condition	Min.	Typ	Max	Units
Temperature range	-	-40	-	150	$^{\circ}\text{C}$
Resolution ⁽¹⁾	$^{\circ}\text{C}$ / LSB (no direct measurement possible)	4.5	5.1	5.7	$^{\circ}\text{C}$
Absolute error	-	-	-	± 15	$^{\circ}\text{C}$
Relative error	No direct measurement possible	-	0.5	-	LSB

1. Not guaranteed by production test

3.9 D/A-converter

The TDA7528 contains two D/A-Converters for tuning the filters of the FM pre-stage. The converter 1 has a resolution of 8 bit; converter 2 has a resolution of 9 bit.

Table 22. D/A-converter electrical characteristics

Symbol	Parameter	Test condition	Min.	Typ	Max	Units
V_{out}	Output voltage minimum voltage	Unloaded output	-	0.6	0.8	V
	Maximum voltage	-	$V_{CC}-0.15$	$V_{CC}-0.1$	-	
-	Output impedance	-	-	2	-	k Ω
-	Max. output current	-	400	-	-	μ A
-	Average voltage step converter 1	Resolution 8 bit	-	18	-	mV
-	Average voltage step converter 2	Resolution 9 bit	-	9	-	mV
-	Additional error vs. temperature	-	-2	-	2	LSB
-	INL	-	-2	-	2	LSB
-	DNL	-	-0.5	-	0.5	LSB
-	Output noise	@ $C_L=1nF$ and 2.2k Ω	-	100	200	μ V
-	Conversion time	@ $C_L=1nF$	-	20	40	μ s
VSRR	Supply voltage ripple rejection ratio	@ 1kHz	20	-	-	dB

3.10 A/D-converter

The TDA7528 contains a 6bit SAR A/D-Converter for sensing several analog values of the tuner. The following analog sources can be switched to the ADC input by software command:

- Temperature sensor
- TCFM
- TCAM
- TCIF1/2 (depends on which one is active)
- VCO tuning voltage ($=3/5 * V_{tune}$)
- GP1
- GP2
- Internal VCC divider ($2/5 * VCC$)

The ADC is clocked by an integrated RC-oscillator, or the PLL reference frequency.

Table 23. A/D-converter

Symbol	Parameter	Test condition, comments	Min.	Typ	Max	Units
-	INL	Referred to internal VDD	-2	-	2	LSB
-	DNL	-	-0.5	-	0.5	LSB
-	Input voltage range	-	0	-	V_{DD}	V
f_{Osc}	Oscillation frequency 2bit programmable	RCfreq<1:0> = 00		0.68		MHz
		RCfreq<1:0> = 01		1.31	-	MHz
		RCfreq<1:0> = 10		1.9		MHz
		RCfreq<1:0> = 11	1.72	2.5		MHz
-	frequency error	-	-	-	± 40	%
t_{ADC}	Conversion time ⁽¹⁾	12 clock cycles	-	-	7	μs

1. With RC-oscillator frequency = 2.5MHz

3.11 GPIO - general purpose I/O interface pins

The TDA7528 has eight GPIO - general purpose - control pins (GP1...GP8) to switch external stages (output), e.g amplifiers, or to read the status of external stages (input), e.g. control voltages. Some control pins are multiplexed with other functions that are not necessary in every tuner design.

Table 24. GPIO - general purpose I/O interface pins electrical characteristics

Pin name	GPIO functionality						Multiplexed functionality details are given in the corresponding chapters
	GPIO-output				GPIO-input		
	High level		Low level		Functionality	voltage	
	voltage	Source current	voltage	Sink current			
GP1	3,3V	1 mA	0V	1 mA	Analog input A/D-converter	0 ... 3,3V	
GP2	3,3V	1 mA	0V	1 mA	Analog input A/D-converter	0 ... 3,3V	AMAGC 2nd TC input
GP3	3,3V	0.1 mA	0V	10 mA	-	-	FM key AGC input
GP4	3,3V	0.1 mA	0V	10 mA	-	-	AM cascode U_{DS} input
GP5	3,3V	1 mA	0V	1 mA	Digital Input	0 / 3,3V	IF buffer output
GP6	3,3V	1 mA	0V	1 mA	Digital Input	0 / 3,3V	SPI MISO output
GP7	3,3V	1 mA	0V	1 mA	-	-	FM-AGC voltage output
GP8	3,3V	1 mA	0V	1 mA	-	-	AM-AGC voltage output

Table 25. GPIO test conditions

Parameter	Test condition	Min.	Typ	Max	Units
High level output voltage	@ 100k Ω load to GND	$V_{DD}-0.3$	-	V_{DD}	V
Low level output voltage	@ 100k Ω load to V_{DD}	-0.05	-	0.3	V
High level source current	GP1 / GP2 / GP5 ... GP8: @ 1k Ω load to GND	0.5	1	-	mA
High level source current	GP3 / GP4 @ 1k Ω load to GND	0.08	0.25	-	mA
Low level sink current	GP1 / GP2 / GP5 ... GP8: @ 1k Ω load to V_{DD}	0.8	1.5	-	mA
Low level sink current	GP3 / GP4: @ 100 Ω load to V_{DD}	8.0	10	-	mA
Input impedance	digital input mode	100	-	-	k Ω
Input voltage range	GP1 / GP2	0	-	3.5	V
High level input voltage	GP5 / GP6 used as digital input	2.2	-	3.5	V
Low level input voltage	GP5 / GP6 used as digital input	-0.05	-	1.0	V

3.11.1 Serial data interface

The TDA7528 features a serial data port for communication with the microcontroller. It is used to program the TDA7528 and to convey the read-out values of its detectors. This port supports data communication using the SPI and the I²C protocols.

Pin configuration of the serial data interface:

Table 26. Pin configuration of the serial data interface

Signal #	Pin	SPI signal	Pin	I ² C signal
Signal 1	PS	Protocol Select SPI/I ² C	PS	Protocol Select SPI/I ² C
Signal 2	CS	Chip Select	AS	Address Select
Signal 3	CLK	Clock	CLK	Clock
Signal 4	MOSI	Master Out – Slave In	DATA	bidirectional Data
Signal 5	MISO	Master In – Slave Out	GP6	General Purpose Out

The "PS"-pin (Protocol Select) determines which communication protocol is used for communication between the microcontroller and the TDA7528. The information is not latched, so any level change at this pin immediately affects the protocol used by the TDA7528.^(a)

3.11.2 Communication using the I²C protocol

For I²C communication, pin "PS" needs to be open. Pin "AS" (Address Select) determines which I²C address or group of addresses (see below) is used for communication between the microcontroller and TDA7528. Three different external connections are defined to represent three groups of addresses. The information is not latched, so any level change at this pin immediately affects the address used by the TDA7528.^(b)

-
- a. Protocol changes are not permitted during a communication sequence unless the I²C STOP condition is established or in SPI mode the CS line is deactivated, because the consequences are not predictable. Usually there is no need for any protocol change during operation, so the PS pin is connected to either GND or left open
 - b. Address changes are not permitted during an I²C communication sequence unless the I²C STOP condition is established, because the consequences are not predictable. Usually there is no need for any address change during operation, so the AS pin is connected to either GND, an 20k pull down resistor or left open.

I²C addresses

Table 27. I²C addresses

Tuner:	Tuner 3	Tuner 2	Tuner 1
"AS"-pin connection	open	20k +/- 50% pull down	GND
address:	1100 1xxd	1100 x1xd	1100 xx1d
MSB ... LSB	-	-	-
1100 000d	-	-	-
1100 001d	-	-	R / W
1100 010d	-	R / W	-
1100 011d	-	W	W
1100 100d	R / W	-	-
1100 101d	W	-	W
1100 110d	W	W	-
1100 111d	W	W	W

- x = must be "0" for reading, can be "1" or "0" for writing to the TDA7528
- d = determinates the direction of data transfer, reading or writing
- R / W = indicates the address to write to and/or to read from a TDA7528
- W = indicates those addresses that can be used to transmit equal data to several TDA7528s, e.g. to program an synchronous AF jump of two tuners. A read out has no purpose for these addresses.

3.11.3 Communication using the SPI protocol

For SPI communication, pin "PS" needs to be connected to GND.

No IC address is transmitted in SPI mode, as in this mode the chip is selected through its CS (Chip Select) line.

SPI-Protocol: CPOL=1, CPHA=1

Table 28. Communication using the SPI protocol electrical characteristics

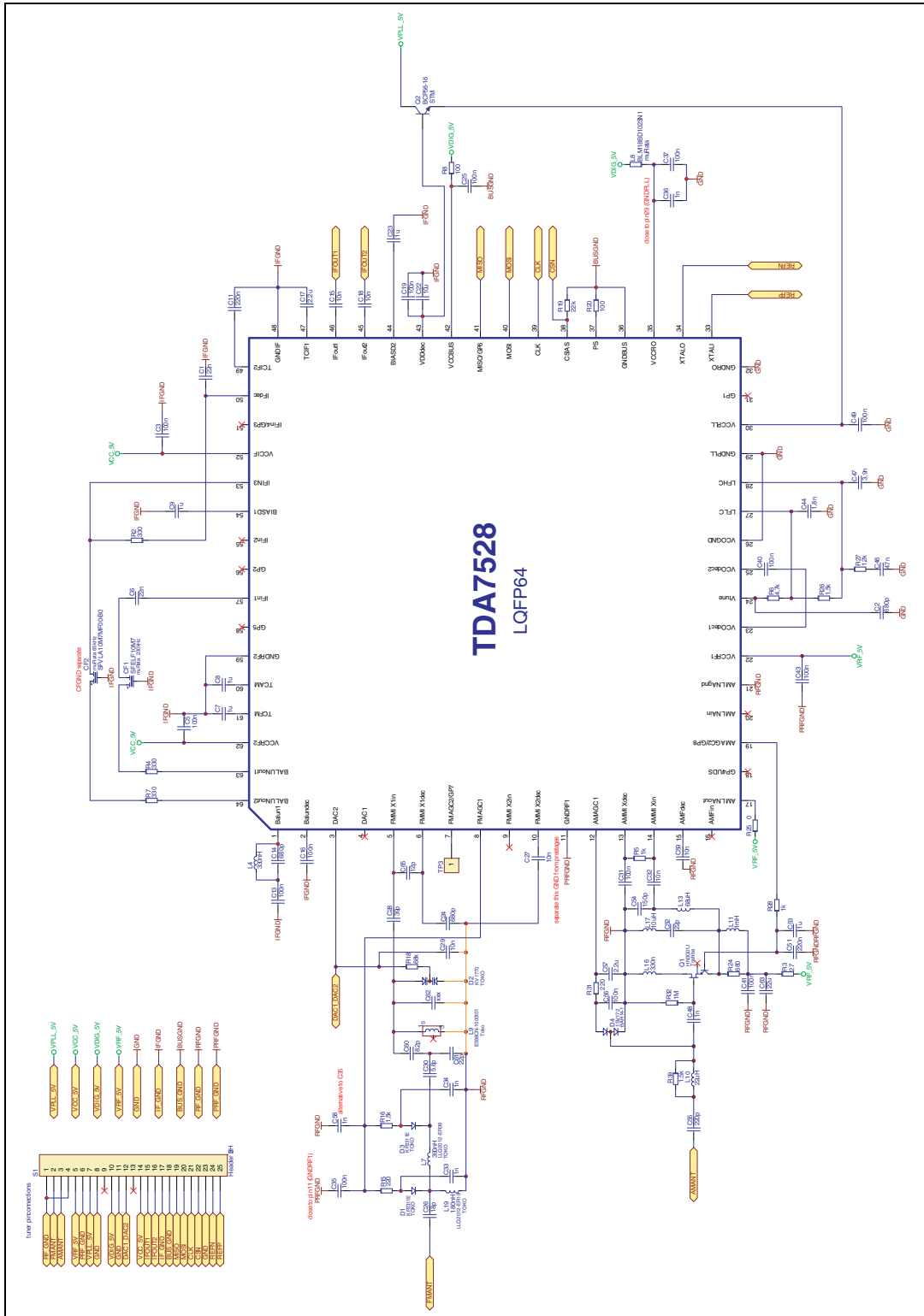
Parameter	Test condition	Min.	Typ	Max	Units
Clock frequency	Guaranteed range @ SPI	4	-	-	MHz
	Guaranteed range @ I ² C	1	-	-	MHz
Inter byte time	-	-	-	0	
Power-on delay time	Ready for communication after power-on reset	-	-	10	ms
High level output voltage	Output signals	V _{DD} -0.3	-	V _{DD}	V
Low level output voltage	Output signals	-0.05	-	0.3	V
High level source current	Output signals	-	0.1	-	mA
low level sink current	Output signals	-	1	-	mA
High level input voltage	Input signals, except AS	2.3	-	3.5	V
Low level input voltage	Input signals, except AS	-0.05	-	1.0	V
Internal pull up resistor	AS pin	16.5	20	24	kΩ
Internal pull up resistor	PS pin	16.5	20	24	kΩ

Table 28. Communication using the SPI protocol electrical characteristics

Parameter	Test condition	Min.	Typ	Max	Units
Input impedance	Input signals, except AS,PS	100	-	-	k Ω
Power-on impedance	All signals, except AS, PS	100	-	-	k Ω

4 Application information

Figure 8. Application information



5 Programming information

5.1 Address organization

Figure 9. Address organization

Name	No	r/w	MSB	6	5	4	3	2	1	LSB
Short reg	0	r/w	x	PWRSTABLEw	ShAGC	ShPLL	ADCstart	ADCen	GPIOen	PWR
ADCctrl	1	r/w	ADCclk	ADCs2	ADCs1	ADCs0		RCenable	ADCautomode	Temp_pwr
GPIOmode	2	r/w	GPO8	GPO7	GPIO6	GPIO5	GPO4	GPO3	GPIO2	GPIO1
AGCmixCtrl	3	r/w		KeyAGCen	FMAGCpwr	AMAGCpwr			Mixout1	Mixout2
Supply	4	r/w	refmode1	refmode0	DivRen	VCCmon_adj1	VCCmon_adj0	En_VCCmon	VDD_korr	VDD_int_ext
DivR1	5	r/w	divr15	divr14	divr13	divr12	divr11	divr10	divr9	divr8
IFAGC	6	r/w	IFAGC_FM_AM	IFAGCthr2	IFAGCthr1	IFAGCthr0				IFsection_pwr
FMAGC	7	r/w	FMthr3	FMthr2	FMthr1	FMthr0	FMAGCmodeC1	FMAGCmodeC0	FMAGCmodeV1	FMAGCmodeV0
FM_AM_Vthr	8	r/w	AMAGCfat	AM2nd_order	Vthr5	Vthr4	Vthr3	Vthr2	Vthr1	Vthr0
MIAlign1	9	r/w	AAfil1	AAfil0			Mix_ctl	IMRF2	IMRF1	IMRF0
MIAlign2	10	r/w	IMRph3	IMRph2	IMRph1	IMRph0		IMRG2	IMRG1	IMRG0
PLLctrl	11	r/w	DZ2	DZ1	DS2	DS1	VCOext	PLLtest2	PLLtest	PLLpwr
PLLctrl2	12	r/w	CompDAC3	CompDAC2	CompDAC1	CompDAC0	CompDACtest2	CompDACtest1	CompDACtest0	CompDACdisable
PLLtest	13	r/w	POL	PFD_D1	PFD_D0	PLL4	PLL3	PLL2	PLL1	PLL0
Misc1	14	r/w	AGCtest1	AGCtest0	BalounoutIMP	Ired_Balun	IredH	IredL	VCOMag1	VCOMag0
Misc2	15	r/w	IFbufG2	IFbufG1	IFbufG0	IFbufin	IFbufPWR	RC_test	RCfreq_1	RCfreq_0
AGCctc_A	16	r/w	IFAGCctcAM	IFAGCctcFM	AMtc1	AMtc0	FMtc3	FMtc2	FMtc1	FMtc0
AMAGC_A	17	r/w	AMthr3	AMthr2	AMthr1	AMthr0	AMAGCmodeC1	AMAGCmodeC0	AMAGCmodeV1	AMAGCmodeV0
GPIOm_A	18	r/w	GPO8hl	GPO7hl	GPIO6hl	GPIO5hl	GPO4hl	GPO3hl	GPIO2hl	GPIO1hl
IFCTRL_A	19	r/w	IFin0_Std_IBOC	IFAmppgainA2	IFAmppgainA1	IFAmppgainA0	MixinFM	MixinAM_LPF	MixinFMAM	IFin1_AM_FM
DivV_A	20	r/w	VCO1r	divVA6	divVA6	divVA6	divVA6	divVA6	divVA6	divVA0
DivN_A1	21	r/w	divnA20	divnA19	divnA18	divnA17	divnA16	divnA15	divnA14	divnA13
DivN_A2	22	r/w	divnA12	divnA11	divnA10	divnA9	divnA8	divnA7	divnA6	divnA5
DivN_A3	23	r/w	divnA4	divnA3	divnA2	divnA1	divnA0	fracA2	fracA1	fracA0
DivR2_A	24	r/w	divr7	divr6	divr5	divr4	divr3	divr2	divr1	divr0
CPcur_A	25	r/w	CPAh3	CPAh2	CPAh1	CPAh0	CPA3	CPA2	CPA1	CPA0
DAC1_A	26	r/w	DAC1A8	DAC1A7	DAC1A6	DAC1A5	DAC1A4	DAC1A3	DAC1A2	DAC1A1
DAC2_A	27	r/w	DAC2A8	DAC2A7	DAC2A6	DAC2A5	DAC2A4	DAC2A3	DAC2A2	DAC2A1
PLL_DAC_A	28	r/w	IQselA	VCOsw	CPctr1	CPctr0	DAC2A0		DAC2off	DAC1off
AMFilt_A	29	r/w	AMFiltA7	AMFiltA6	AMFiltA5	AMFiltA4	AMFiltA3	AMFiltA2	AMFiltA1	AMFiltA0
Misc3_A	30	r/w					DIVVtest	divnA21	CPAh0	AMLNApwrA
ADCTest_A	31	r/w	IF test	ADC test	ADCDAC5	ADCDAC4	ADCDAC3	ADCDAC2	ADCDAC1	ADCDAC0
AGCctc_B	32	r/w	this byte is valid on the output if bit SHAGC is set to '1', otherwise byte Nr. 16 is valid on the output							
AMAGC_B	33	r/w	all bytes from 33 to 47 are valid on the output if SHPLL is set to '1', otherwise byte 17 to 31 are valid on the output							
GPIOm_B	34	r/w								
IFCTRL_B	35	r/w								
DivV_B	36	r/w								
DivN_B1	37	r/w								
DivN_B2	38	r/w								
DivN_B3	39	r/w								
DivR2_B	40	r/w								
CPcur_B	41	r/w								
DAC1_B	42	r/w								
DAC2_B	43	r/w								
PLL_DAC_B	44	r/w								
AMFilt_B	45	r/w								
Misc3_B	46	r/w								
ADCTest_B	47	r/w								
READ_Status	48	r			GPIO6r	GPIO5r	PWR_stable	MaskSet0	MaskSet1	MaskSet2
READ_ADC	49	r		ADCok	ADC5	ADC4	ADC3	ADC2	ADC1	ADC0

shadow-register

initialization registers, to be changed after power on

depends on reception band (FM / MW / SW / ...)

to be changed with each frequency change

additional controls, changed independent from reception

IF buffer control

test registers, not to be changed at all

Note: The power on value of all registers is zero.

5.2 Data byte specification

5.2.1 Short_reg (0)

Table 29. Short_reg (0)

MSB							LSB	Function
D ₇	D ₆	D ₅	D ₄	D ₃	D ₂	D ₁	D ₀	
-	-	-	-	-	-	-	0	Global PWR Power down the IC
-	-	-	-	-	-	-	1	Power on the IC
-	-	-	-	-	-	0	-	GPIO enable all GPIO in tristate
-	-	-	-	-	-	1	-	all GPIO enable
-	-	-	-	-	0	-	-	ADCen 6bit ADC on
-	-	-	-	-	1	-	-	6bit ADC off
-	-	-	-	0	-	-	-	ADCstart N/A
-	-	-	-	1	-	-	-	Starts a single AD conversion
-	-	-	0	-	-	-	-	ShPLL PLL register from 17 to 31 are valid
-	-	-	1	-	-	-	-	PLL register from 33 to 47 are valid
-	-	0	-	-	-	-	-	ShAGC AGC TC register 16 is valid
-	-	1	-	-	-	-	-	AGC TC register 32 is valid
-	0	-	-	-	-	-	-	Power stable N/A
-	1	-	-	-	-	-	-	sets the power stable read bit
0	-	-	-	-	-	-	-	Has to be 0

5.2.2 ADCctrl (1)

Table 30. ADCctrl (1)

MSB							LSB		Function
D ₇	D ₆	D ₅	D ₄	D ₃	D ₂	D ₁	D ₀		
-	-	-	-	-	-	-	0	Temperature sensor power Enabled	
							1	Disabled	
-	-	-	-	-	-	0	-	ADC auto mode automatic restart disable	
						1		automatic restart enable	
-	-	-	-	-	0	-	-	RC oscillator enable enable	
					1			disable	
-	-	-	-	X	-	-	-	ADCstart (like bit 0.3)	
	0	0	0					ADC input selection Temp sensor	
	1	0	0					FM AGC	
	0	1	0					AM AGC	
-	1	1	0	-	-	-	-	IF AGC	
	0	0	1					VCO tuning voltage ($3/5 * V_{tune}$)	
	1	0	1					GP1	
	0	1	1					GP2	
	1	1	1					$2/5 * VCC$	
0	-	-	-	-	-	-	-	ADC clock selection ADC clock source = RC osc	
1								ADC clock source = rediv output	

5.2.3 GPIO mode (2)

Table 31. GPIO mode (2)

MSB							LSB		GPIO function
D ₇	D ₆	D ₅	D ₄	D ₃	D ₂	D ₁	D ₀		
-	-	-	-	-	-	-	0 1	GPIO1 input / output Analog input to AD converter digital output	
-	-	-	-	-	-	0 1	-	GPIO2 input / output Analog input to AD converter Digital output	
-	-	-	-	-	0 1	-	-	GPIO3 input / output Analog Input Digital output	
-	-	-	-	0 1	-	-	-	GPIO4 input / output Analog Input Digital output	
-	-	-	0 1	-	-	-	-	GPIO5 input / output Digital input if IF buffer amplifier = OFF, analog output if IF buffer amplifier = ON Digital output	
-	-	0 1	-	-	-	-	-	GPIO6 input / output Digital input (or MISO output in SPI mode) Digital output (or MISO output in SPI mode)	
-	0 1	-	-	-	-	-	-	GPIO7 input / output Digital output FM AGC voltage output	
0 1	-	-	-	-	-	-	-	GPIO8 input / output Digital output AM AGC voltage output	

5.2.4 AGC and mixer control (3)

Table 32. AGC and mixer control (3)

MSB							LSB		Function
D ₇	D ₆	D ₅	D ₄	D ₃	D ₂	D ₁	D ₀		
-	-	-	-	-	-	0	0	Mixout 1 / 2 All Off = power down mixer section	
-	-	-	-	-	-	0	1	Mixout 2 active	
-	-	-	-	-	-	1	0	Mixout 1 active	
-	-	-	-	-	-	1	1	Forbidden state	
-	-	-	-	0	0	-	-	Has to be 0	
-	-	-	0	-	-	-	-	AM AGC On / Off Off On	
-	-	0	-	-	-	-	-	FM AGC On / Off Off On	
-	0	-	-	-	-	-	-	Keyed AGC enable Keyed AGC off keyed AGC on	
0	-	-	-	-	-	-	-	Has to be 0	

5.2.5 Supply control (4)

Table 33. Supply control (4)

MSB							LSB	Divider R value
D ₇	D ₆	D ₅	D ₄	D ₃	D ₂	D ₁	D ₀	
-	-	-	-	-	-	-	0 1	VDD regulator connection intern / extern external VDD source for VDDPLL is used VDDPLL is derived from onboard NPN transistor
-	-	-	-	-	-	0 1	-	VDD regulator voltage correction internal VDD 150mV lower internal VDD corrected if external source used
-	-	-	-	-	0 1	-	-	Enable low voltage detection on VCC VCC low voltage detection off VCC low voltage detection on
-	-	-	0 0 1 1	0 1 0 1	-	-	-	Threshold of low voltage detection 4.3V 4.4V 4.5V 4.6V
-	-	0 1	-	-	-	-	-	Divider R enable Divider R off; => DivR value = 1 Divider R on
0 0 1 1	0 1 0 1	-	-	-	-	-	-	Reference oscillator mode off single ended mode differential LVDS input controlled XO-mode

5.2.6 Divider R MSB (5)

Table 34. Divider R MSB (5)

MSB							LSB	Divider R value
D ₇	D ₆	D ₅	D ₄	D ₃	D ₂	D ₁	D ₀	
X	-	-	-	-	-	-	X	Divider R value DivR8 : : DivR15

5.2.7 IF AGC control (6)

Table 35. IF AGC control (6)

MSB							LSB	Function
D ₇	D ₆	D ₅	D ₄	D ₃	D ₂	D ₁	D ₀	
-	-	-	-	-	-	-	0 1	IF section On / Off Off On
-	-	-	-	0	0	0	-	Has to be 0
-	0 0 : : 1	0 0 : : 1	0 1 : : 1	-	-	-	-	IF AGC threshold IF output level = 99dB μ V(AM) / 105dB μ V (FM) IF output level = 101dB μ V(AM) / 107dB μ V (FM) : : IF output level = 113dB μ V(AM) / 119dB μ V (FM)
0 1	-	-	-	-	-	-	-	IF AGC mode FM / AM selection FM mode AM mode

5.2.8 FM AGC (7)

Table 36. FM AGC (7)

MSB							LSB	Function
D ₇	D ₆	D ₅	D ₄	D ₃	D ₂	D ₁	D ₀	
-	-	-	-	0 1 1 0 1 0	0 0 1 1 0 0	0 0 0 1 1 1	0 0 0 1 1 0	AGC output mode Off positive current output (mode 1) pos / neg current output (mode 2) constant 2mA current output (mode 3) voltage and current output with hand over (mode 4) calibration mode for voltage output (mode 5)
0 0 : : 0 1 1 : : 1	0 0 : : 1 0 0 : : 1	0 0 : : 1 0 0 : : 1	0 1 : : 1 0 1 : : 1	-	-	-	-	FM AGC threshold mixer input level = 93dB μ V (FM1) / 99dB μ V (FM2) Mixer input level = 94dB μ V (FM1) / 100dB μ V (FM2) : : Mixer input level = 100dB μ V (FM1)/ 106dB μ V (FM2) Mixer input level = 93dB μ V (FM1)/ 99dB μ V (FM2) Mixer input level = 92dB μ V (FM1)/ 98dB μ V (FM2) : : Mixer input level = 86dB μ V (FM1)/ 92dB μ V (FM2)

5.2.9 AGC voltage threshold (8)

Table 37. AGC voltage threshold (8)

MSB								LSB	Function
D ₇	D ₆	D ₅	D ₄	D ₃	D ₂	D ₁	D ₀		
-	-	0	0	0	0	0	0	Transfer voltage from voltage out to current out 200mV	
		0	0	0	0	0	1	237.5mV	
		:	:	:	:	:	:	:	
		:	:	:	:	:	:	:	
		1	1	1	1	1	0	2.5625V	
		1	1	1	1	1	1	2.6V	
-	0	-	-	-	-	-	-	AMAGC 2nd order lowpass AMAGC voltage is derived from TCAM	
	1							AMAGC voltage is derived from GP2 (for 2nd order lowpass function)	
0	-	-	-	-	-	-	-	AM fast attack Off	
1								On	

5.2.10 Mixer alignment 1 (9)

Table 38. Mixer alignment 1 (9)

MSB								LSB	Function
D ₇	D ₆	D ₅	D ₄	D ₃	D ₂	D ₁	D ₀		
-	-	-	-	-	0	0	0	IQ-filter frequency adjust +2.4MHz	
					0	0	1	+1.8MHz	
					:	:	:	:	
					1	0	0	0	
					:	:	:	:	
					1	1	1	-1.8MHz	
-	-	-	-	0	-	-	-	Only for test, has to be '0'	
-	-	0	0	-	-	-	-	Has to be 0	
1	0	-	-	-	-	-	-	AA filter frequency adjust 20.00 MHz	
0	0							14.75 MHz	
0	1							10.87 MHz	

5.2.11 Mixer alignment 2 (10)

Table 39. Mixer alignment 2 (10)

MSB				LSB				Function
D ₇	D ₆	D ₅	D ₄	D ₃	D ₂	D ₁	D ₀	
				0	1	1	1	IQ-filter gain adjust
				0	1	1	0	-0.7dB
				0	1	0	1	-0.6dB
				:	:	:	:	-0.5dB
-	-	-	-	:	:	:	:	:
				0	0	0	0	0dB
				1	0	0	0	0dB
				:	:	:	:	:
				1	1	1	0	+0.6dB
				1	1	1	1	+0.7dB
								IQ-filter phase adjust
0	0	0	0					0
0	0	0	1					+0.2 deg
0	0	1	0					+0.2 deg
0	0	1	1					+0.4 deg
0	1	0	0					+0.6 deg
:	:	:	:					:
0	1	1	1	-	-	-	-	+1.2 deg
1	0	0	0					-1.2 deg
1	0	0	1					-1.0 deg
1	0	1	0					-1.0 deg
1	0	1	1					-0.8 deg
1	1	0	0					-0.6 deg
:	:	:	:					:
1	1	1	0					-0.2 deg
1	1	1	1					0

5.2.12 PLL control 1 (11)

Table 40. PLL control 1 (11)

MSB							LSB	Function
D ₇	D ₆	D ₅	D ₄	D ₃	D ₂	D ₁	D ₀	
-	-	-	-	-	-	-	0 1	PLL enable PLL Off PLL On
-	-	-	-	0	0	0	-	Only for test, has to be 0
-	-	0 : 1 0	0 : 1 1	-	-	-	-	Delay of high current CP longest : shortest default for optimum PLL performance
0 : 1 0	0 : 1 1	-	-	-	-	-	-	Slope of high current CP slowest : fastest default for optimum PLL performance

5.2.13 PLL control 2 (12)

Table 41. PLL control 2 (12)

MSB							LSB	Function
D ₇	D ₆	D ₅	D ₄	D ₃	D ₂	D ₁	D ₀	
-	-	-	-	-	-	-	0 1	Compensation DAC disable compensation DAC on (use in fractional mode) compensation DAC off (use in integer mode)
-	-	-	-	0	0	0	-	Only for test, has to be '0'
0 1 0 1 0 : 1 0 1 0 1 : 1 1 1	0 0 1 1 0 : 1 0 1 1 : 1 0 0	0 0 0 0 1 : 1 0 0 1 : 1 0 0	0 0 0 0 0 : 0 1 1 1 : 1 1 1	-	-	-	-	Current trimming of compensation DAC compensation current -44% compensation current -37.5 % compensation current -31.25% compensation current -25% compensation current -18.7% : default current +/-0% compensation current +6.25% compensation current +12.5% compensation current +18.75% compensation current +25% : compensation current +50% optimum value

5.2.14 PLL test (13)

Table 42. PLL test (13)

MSB							LSB		Function
D ₇	D ₆	D ₅	D ₄	D ₃	D ₂	D ₁	D ₀		
-	-	-	-	-	1	0	1	PLL test PLL in standard operation mode	
-	-	-	0	0	-	-	-	Only for test, has to be 0	
-	0	1	-	-	-	-	-	PFD Default delay settings	
0	-	-	-	-	-	-	-	Only for test, has to be 0	

5.2.15 Misc 1 (14)

Table 43. Misc 1 (14)

MSB							LSB		Function
D ₇	D ₆	D ₅	D ₄	D ₃	D ₂	D ₁	D ₀		
-	-	-	-	-	-	0	0	VCO magnitude 1V - default	
-	-	-	-	-	-	0	1	2V	
-	-	-	-	-	-	1	0	3V	
-	-	-	-	-	-	1	1	4V	
-	-	-	-	0	0	-	-	Current reduction of mixer full current	
-	-	-	-	0	1	-	-	-2mA	
-	-	-	-	1	0	-	-	-4mA	
-	-	-	-	1	1	-	-	do not use	
-	-	0	0	-	-	-	-	Current reduction of active balun full current (necessary for 2 IF-filters)	
-	-	0	1	-	-	-	-	-2mA (2 IF-filters, reduced output voltage)	
-	-	1	0	-	-	-	-	-4mA (for 1IF filter)	
-	-	1	1	-	-	-	-	-6,5mA (1 IF filter, reduced output voltage)	
0	0	-	-	-	-	-	-	Only for test, has to be 0	

5.2.16 Misc 2 (15)

Table 44. Misc 2 (15)

MSB							LSB		Function
D ₇	D ₆	D ₅	D ₄	D ₃	D ₂	D ₁	D ₀		
-	-	-	-	-	-	0	0	Oscillation frequency of RC oscillator 0.68 MHz	
-	-	-	-	-	-	0	1	1.31 MHz	
-	-	-	-	-	-	1	0	1.9 MHz	
-	-	-	-	-	-	1	1	2.5 MHz	
-	-	-	-	-	0	-	-	Only for test, has to be 0	
-	-	-	-	0	-	-	-	IF buffer amplifier enable IF buffer amplifier off	
-	-	-	-	1	-	-	-	IF buffer amplifier on (GPIO5 need to be digital input)	
-	-	-	0	-	-	-	-	IF buffer amplifier input selector input = IFin1	
-	-	-	1	-	-	-	-	input = IFin2	
0	0	0	-	-	-	-	-	IF buffer amplifier gain -11dB	
0	0	1	-	-	-	-	-	-9dB	
0	1	0	-	-	-	-	-	-7dB	
0	1	1	-	-	-	-	-	-5dB	
1	0	0	-	-	-	-	-	-3dB	
:	:	:	-	-	-	-	-	:	
1	1	1	-	-	-	-	-	3dB	

5.2.17 AGC time constant settings (16 / 32)

Table 45. AGC time constant settings (16 / 32)

MSB							LSB		Function
D ₇	D ₆	D ₅	D ₄	D ₃	D ₂	D ₁	D ₀		
-	-	-	-	-	-	0 0 1	0 1 0	FM AGC decay time constant D3 (125ms) D2 (25ms) D1 (5ms)	
-	-	-	-	0 0 1	0 1 0	-	-	FM AGC attack time constant A3 (12.5) A2 (2.5) A1 (0.5)	
-	-	0 0 1	0 1 0	-	-	-	-	AM AGC time constant T3 (125ms) T2 (25ms) T1 (5ms)	
-	0 1	-	-	-	-	-	-	IF AGC time constant FM U 1 (250µs attack) U 2 (50µs attack)	
0 1	-	-	-	-	-	-	-	IF AGC time constant AM S1 (100ms) S2 (10ms)	

5.2.18 AMAGC control (17 / 33)

Table 46. AMAGC control (17 / 33)

MSB							LSB		Function
D ₇	D ₆	D ₅	D ₄	D ₃	D ₂	D ₁	D ₀		
-	-	-	-	0	0	0	0	AM AGC output mode Off	
				1	0	0	0	Positive current output for PIN diode (mode1)	
				0	1	0	0	Constant 2mA output (mode2)	
				1	0	0	1	Voltage and current output / internal sense (mode3a)	
				1	0	1	1	Voltage and current output /external sense (mode3b)	
				1	1	1	0	Calibration for mode 3a (mode4a)	
				0	0	1	0	Calibration for mode 3b (mode 4b)	
0	0	0	0					AM AGC thresholds Input level = 95.3 dBμV (mixer); 100.3 dBμV (filter)	
0	0	0	1					Input level = 96.2 dBμV (mixer); 101.2 dBμV (filter)	
:	:	:	:					:	
:	:	:	:					:	
0	1	1	1	-	-	-	-	Input level = 101.5 dBμV (mixer); 106.5 dBμV (filter)	
1	0	0	0					Input level = 95.3 dBμV (mixer); 100.3 dBμV (filter)	
1	0	0	1					Input level = 94.4 dBμV (mixer); 99.4 dBμV (filter)	
:	:	:	:					:	
:	:	:	:					:	
1	1	1	1					Input level = 89 dBμV (mixer); 94 dBμV (filter)	

5.2.19 GPIO output level control (18 / 34)

Table 47. GPIO output level control (18 / 34)

MSB							LSB		Function
D ₇	D ₆	D ₅	D ₄	D ₃	D ₂	D ₁	D ₀		
							0	GPIOx high / low output level GPIO1 low	
							1	GPIO1 high	
						0		GPIO2 low	
						1		GPIO2 high	
	:	:	:	:	:			:	
	X	X	X	X	X			GPIOx low / high	
	:	:	:	:	:			:	
0								GPIO8 low	
1								GPIO8 high	

5.2.20 IF control (19 / 35)

Table 48. IF control (19 / 35)

MSB							LSB	Function
D ₇	D ₆	D ₅	D ₄	D ₃	D ₂	D ₁	D ₀	
0							0	IF input selection IF input AM IBOC (=IFin4) IF input FM IBOC (=IFin2) IF input AM analog (=IFin3) IFinput FM analog (=IFin1)
0	-	-	-	-	-	-	1	
1							0	
1							1	
-	-	-	-	-	-	0	-	Mixer input FM / AM selection AM input active FM input active
						1		
-	-	-	-	-	0	-	-	Mixer input selection for AM AM mixer input AM low pass filter input
					1			
-	-	-	-	0	-	-	-	Mixer input selection for FM FM1 mixer input FM2 mixer input
				1				
-	0	0	0					IF amplifier Gain 23dB (input1-3) / 16dB (input4) 25dB (input1-3) / 18dB (input4) : 35dB (input1-3) / 28dB (input4) 37dB (input1-3) / 30dB (input4)
	0	0	1	-	-	-	-	
	:	:	:					
	1	1	0					
	1	1	1					

5.2.21 VCO divider (V-divider) (20 / 36)

Table 49. VCO divider (V-divider) (20 / 36)

MSB							LSB	Function
D ₇	D ₆	D ₅	D ₄	D ₃	D ₂	D ₁	D ₀	
						X	X	Divider V value V0 V1 V2 V3 V4 V5 V6
					X			
			X					
		X						
	X							
0	-	-	-	-	-	-	-	VCO range selection Range 2 Range 1
1								

Note: Effective V-divider value = $4*(V+4)$, V-patterns xxx0000 are not allowed.

5.2.22 PLL main divider (N-divider) 1 (21 / 37)

Table 50. PLL main divider (N-divider) 1 (21 / 37)

MSB							LSB	Function
D ₇	D ₆	D ₅	D ₄	D ₃	D ₂	D ₁	D ₀	
X	X	X	X	X	X	X	X	Divider N value M8 M9 M10 M11 M12 M13 M14 M15

5.2.23 PLL main divider (N-divider) 2 (22 / 38)

Table 51. PLL main divider (N-divider) 2 (22 / 38)

MSB							LSB	Function
D ₇	D ₆	D ₅	D ₄	D ₃	D ₂	D ₁	D ₀	
X	X	X	X	X	X	X	X	Divider N value M0 M1 M2 M3 M4 M5 M6 M7

5.2.24 PLL main divider (N-divider) 3 (23 / 39)

Table 52. PLL main divider (N-divider) 3 (23 / 39)

MSB							LSB	Function
D ₇	D ₆	D ₅	D ₄	D ₃	D ₂	D ₁	D ₀	
X	X	X	X	X	X	X	X	Divider N value K0 K1 K2 A0 A1 A2 A3 A4

5.2.25 PLL Divider ratio calculation

Table 53. PLL Divider ratio calculation

M counter							A counter					K (fractional)			Notes
M16 ⁽¹⁾	M15	...	M7	...	M1	M0	A4	A3	A2	A1	A0	K2	K1	K0	N= 32*P + A + K/6 M=32 N= M*P + A + K/6 M>32 (P=32)

1. Bit M16 is D2 of reg30

5.2.26 Divider R LSB (24/40)

Table 54. Divider R LSB (24/40)

MSB							LSB	Divider R value
D7	D6	D5	D4	D3	D2	D1	D0	
							X	Divider R value DivR0 : : DivR7
X	-	-	-	-	-	-	-	

5.2.27 Charge pump current (25 / 41)

Table 55. Charge pump current (25 / 41)

MSB							LSB	FUNCTION
D7	D6	D5	D4	D3	D2	D1	D0	
-	-		X	X	X	X	X	Low current charge pump 65 µA 130 µA 260 µA 520 µA 980 µA
X	X	X	-	-	-	-	-	High current charge pump 1mA 2mA 4mA

5.2.28 Tuning DAC 1 (26 / 42)

Table 56. Tuning DAC 1 (26 / 42)

MSB							LSB	Function
D ₇	D ₆	D ₅	D ₄	D ₃	D ₂	D ₁	D ₀	
X	X	X	X	X	X	X	X	DAC 1 voltage 7..0 DAC1_0 DAC1_1 DAC1_2 DAC1_3 DAC1_4 DAC1_5 DAC1_6 DAC1_7

Note: $DAC\ 1\ output\ voltage = 600mV + DAC1val * 18mV$

5.2.29 Tuning DAC 2 (27 / 43)

Table 57. Tuning DAC 2 (27 / 43)

MSB							LSB	Function
D ₇	D ₆	D ₅	D ₄	D ₃	D ₂	D ₁	D ₀	
X	X	X	X	X	X	X	X	DAC 2 voltage 8..1 DAC2_1 DAC2_2 DAC2_3 DAC2_4 DAC2_5 DAC2_6 DAC2_7 DAC2_8

Note: $DAC\ 2\ output\ voltage = 600mV + DAC2val * 9mV$

5.2.30 Different controls (28 / 44)

Table 58. Different controls (28 / 44)

MSB							LSB		Function
D ₇	D ₆	D ₅	D ₄	D ₃	D ₂	D ₁	D ₀		
-	-	-	-	-	-	-	0 1	DAC 1 On / Off Off On	
-	-	-	-	-	-	0 1	-	DAC 2 On / Off Off On	
-	-	-	-	-	X	-	-	Not used	
-	-	-	-	X	-	-	-	DAC 2_0	
-	-	-	0	-	-	-	-	Only for test, has to be 0	
-	-	0 1	-	-	-	-	-	Charge pump control high current controlled from phase error - default high current on	
-	0 1	-	-	-	-	-	-	VCO 1 / VCO 2 select VCO 2 used (3.7GHz) VCO 1 used (4.7GHz)	
0 1	-	-	-	-	-	-	-	IQ phase select I anticipates Q (low side injection) Q anticipates I (high side injection)	

5.2.31 AM filter adjust (29 / 45)

Table 59. AM filter adjust (29 / 45)

MSB							LSB		Function
D ₇	D ₆	D ₅	D ₄	D ₃	D ₂	D ₁	D ₀		
0	0	0	0	0	0	0	0	AM filter corner frequency (-3dB point)	
0	0	0	1	0	0	0	0	1.2 MHz	
0	0	0	1	0	0	0	0	1.28 MHz	
0	0	1	0	0	0	0	0	1.36 MHz	
0	0	1	1	0	0	0	0	1.46 MHz	
0	1	0	0	0	0	0	0	1.58 MHz	
0	1	0	1	0	0	0	0	1.71 MHz	
0	1	1	0	0	0	0	0	1.86 MHz	
0	1	1	1	0	0	0	0	2.04 MHz	
1	0	0	0	0	0	0	0	2.38 MHz	
1	0	0	0	1	0	0	0	2.52 MHz	
1	0	0	1	0	0	0	0	2.69 MHz	
1	0	0	1	1	0	0	0	2.87 MHz	
1	0	1	0	0	0	0	0	3.11 MHz	
1	0	1	0	1	0	0	0	3.36 MHz	
1	0	1	1	0	0	0	0	3.66 MHz	
1	0	1	1	1	0	0	0	4.00 MHz	
1	1	0	0	0	0	0	0	4.64 MHz	
1	1	0	0	0	1	0	0	4.91 MHz	
1	1	0	0	1	0	0	0	5.23 MHz	
1	1	0	0	1	1	0	0	5.57 MHz	
1	1	0	1	0	0	0	0	6.03 MHz	
1	1	0	1	0	1	0	0	6.48 MHz	
1	1	0	1	1	0	0	0	7.05 MHz	
1	1	0	1	1	1	0	0	7.68 MHz	
1	1	1	0	0	0	0	0	8.87 MHz	
1	1	1	0	0	0	1	0	9.36 MHz	
1	1	1	0	0	1	0	0	9.92 MHz	
1	1	1	0	0	1	1	0	10.53 MHz	
1	1	1	0	1	0	0	0	11.35 MHz	
1	1	1	0	1	0	1	0	12.16 MHz	
1	1	1	0	1	1	0	0	13.12 MHz	
1	1	1	0	1	1	1	0	14.20 MHz	

Table 59. AM filter adjust (29 / 45) (continued)

MSB								LSB	Function
D ₇	D ₆	D ₅	D ₄	D ₃	D ₂	D ₁	D ₀		
1	1	1	1	0	0	0	0	AM filter corner frequency (-3dB point) 16.31 MHz	
1	1	1	1	0	0	0	1		17.03 MHz
1	1	1	1	0	0	1	0		18.07 MHz
1	1	1	1	0	0	1	1		18.95 MHz
1	1	1	1	0	1	0	0		20.31 MHz
1	1	1	1	0	1	0	1		21.43 MHz
1	1	1	1	0	1	1	0		23.10 MHz
1	1	1	1	0	1	1	1		24.56 MHz
1	1	1	1	1	0	0	0	27.91 MHz	
1	1	1	1	1	0	0	1		30.12 MHz
1	1	1	1	1	0	1	0		33.56 MHz
1	1	1	1	1	0	1	1		36.80 MHz
1	1	1	1	1	1	0	0		42.56 MHz
1	1	1	1	1	1	0	1		47.89 MHz
1	1	1	1	1	1	1	0		57.14 MHz
1	1	1	1	1	1	1	1		67.17 MHz

5.2.32 Misc 3 (30 / 46)

Table 60. Misc 3 (30 / 46)

MSB								LSB	Function
D ₇	D ₆	D ₅	D ₄	D ₃	D ₂	D ₁	D ₀		
-	-	-	-	-	-	-	0	AMLNA on / off AMLNA off AMLNA on	
-	-	-	-	-	-	-	1		
-	-	-	-	-	-	X	-	High current chargepump 0.5 mA	
-	-	-	-	-	X	-	-	PLL N divider MSB M16	
-	-	-	-	0	-	-	-	Only for test, has to be 0	
0	0	0	0	-	-	-	-	Has to be 0	

5.2.33 AD converter test (31 / 47)

Table 61. AD converter test (31 / 47)

MSB								LSB	Function
D ₇	D ₆	D ₅	D ₄	D ₃	D ₂	D ₁	D ₀		
0	0	0	0	0	0	0	0	Only for test, has to be 0	

5.2.34 Read 1 (48)

Table 62. Read 1 (48)

MSB							LSB		Function
D ₇	D ₆	D ₅	D ₄	D ₃	D ₂	D ₁	D ₀		
-	-	-	-	-	0 : 1 : 1	0 : 0 : 1	0 : 1 : 1	Mask set revision 1 st : 6 th = latest one : 8 th	
-	-	-	-	0 1	-	-	-	PWR stable read bit Supply voltage not OK, if bit was set once Supply voltage OK	
-	-	-	0 1	-	-	-	-	GPIO 5 level low high	
-	-	0 1	-	-	-	-	-	GPIO 6 level low high	
-	X	-	-	-	-	-	-	not used	
X	-	-	-	-	-	-	-	not used	

5.2.35 Read 2 (49)

Table 63. Read 2 (49)

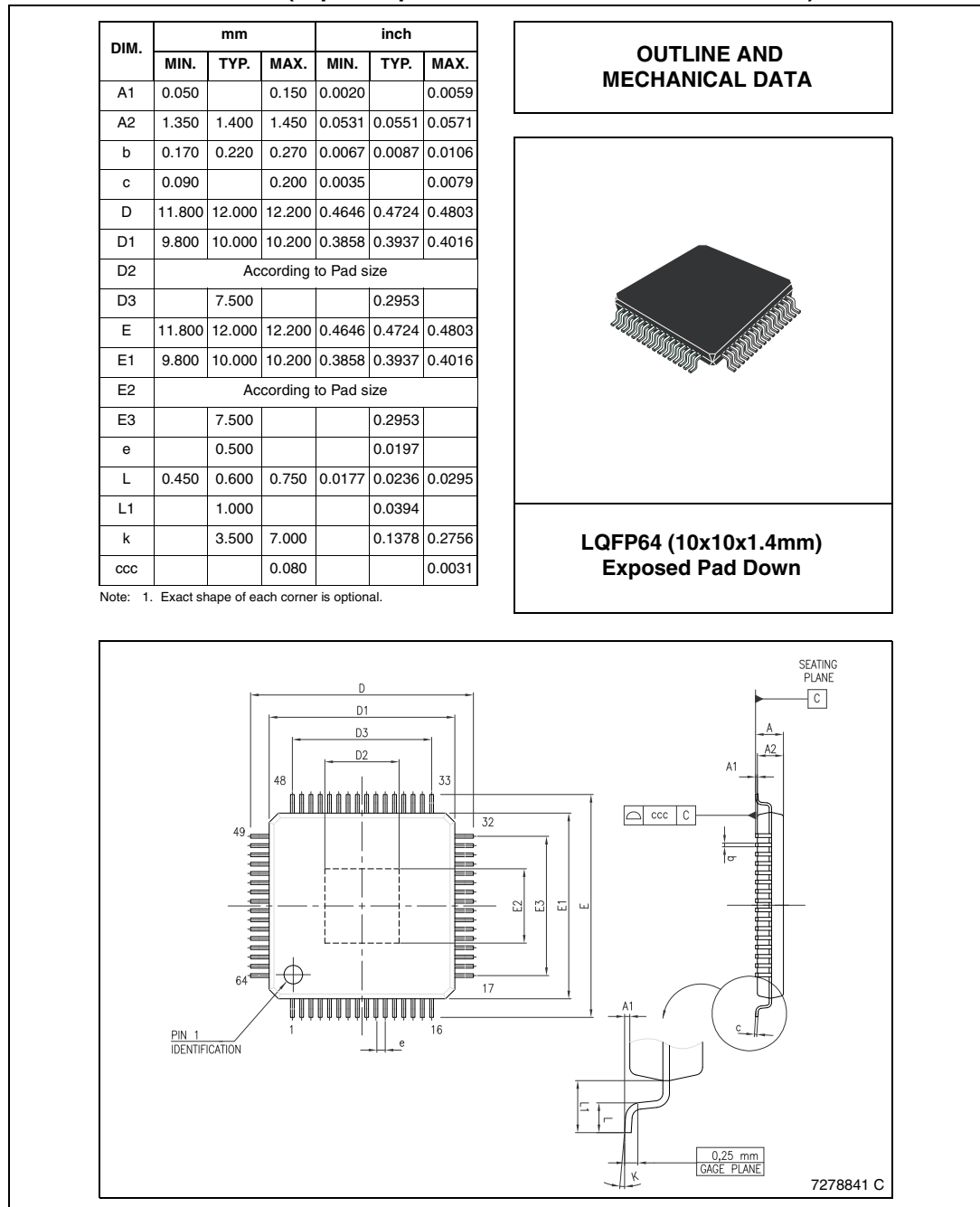
MSB							LSB		Function
D ₇	D ₆	D ₅	D ₄	D ₃	D ₂	D ₁	D ₀		
-	-	X	X	X	X	X	X	AD converter result ADC0 ADC1 ADC2 ADC3 ADC4 ADC5	
-	0 1	-	-	-	-	-	-	AD converter result status Not OK (readout before converter finished) OK	
X	-	-	-	-	-	-	-	not used	

6 Package information

In order to meet environmental requirements, ST offers these devices in different grades of ECOPACK[®] packages, depending on their level of environmental compliance. ECOPACK[®] specifications, grade definitions and product status are available at: www.st.com.

ECOPACK[®] is an ST trademark.

Figure 10. LQFP64 (10x10x1.4mm) exposed pad down mechanical data and package dimensions (exposed pad size for D2 and E2: 4.5mm max.)



7 Revision history

Table 64. Document revision history

Date	Revision	Changes
25-Jan-2007	1	Initial release.
08-Mar-2007	2	Corrected typ. value of "I decay max (mode D1)" in the Table 8 on page 20. Updated Table 41 on page 50 .
19-Mar-2007	3	Corrected the Rev. number on page 1.
01-Oct-2007	4	Modified Table 56 on page 58 .
26-Jun-2008	5	Modified Table 18 on page 32 , Table 31 on page 44 , Table 44 on page 52 . Updated note below Table 49 on page 55 .
17-Dec-2009	6	Modified Table 28: Communication using the SPI protocol electrical characteristics on page 38 .
24-Sep-2013	7	Updated disclaimer.

Please Read Carefully:

Information in this document is provided solely in connection with ST products. STMicroelectronics NV and its subsidiaries ("ST") reserve the right to make changes, corrections, modifications or improvements, to this document, and the products and services described herein at any time, without notice.

All ST products are sold pursuant to ST's terms and conditions of sale.

Purchasers are solely responsible for the choice, selection and use of the ST products and services described herein, and ST assumes no liability whatsoever relating to the choice, selection or use of the ST products and services described herein.

No license, express or implied, by estoppel or otherwise, to any intellectual property rights is granted under this document. If any part of this document refers to any third party products or services it shall not be deemed a license grant by ST for the use of such third party products or services, or any intellectual property contained therein or considered as a warranty covering the use in any manner whatsoever of such third party products or services or any intellectual property contained therein.

UNLESS OTHERWISE SET FORTH IN ST'S TERMS AND CONDITIONS OF SALE ST DISCLAIMS ANY EXPRESS OR IMPLIED WARRANTY WITH RESPECT TO THE USE AND/OR SALE OF ST PRODUCTS INCLUDING WITHOUT LIMITATION IMPLIED WARRANTIES OF MERCHANTABILITY, FITNESS FOR A PARTICULAR PURPOSE (AND THEIR EQUIVALENTS UNDER THE LAWS OF ANY JURISDICTION), OR INFRINGEMENT OF ANY PATENT, COPYRIGHT OR OTHER INTELLECTUAL PROPERTY RIGHT.

ST PRODUCTS ARE NOT DESIGNED OR AUTHORIZED FOR USE IN: (A) SAFETY CRITICAL APPLICATIONS SUCH AS LIFE SUPPORTING, ACTIVE IMPLANTED DEVICES OR SYSTEMS WITH PRODUCT FUNCTIONAL SAFETY REQUIREMENTS; (B) AERONAUTIC APPLICATIONS; (C) AUTOMOTIVE APPLICATIONS OR ENVIRONMENTS, AND/OR (D) AEROSPACE APPLICATIONS OR ENVIRONMENTS. WHERE ST PRODUCTS ARE NOT DESIGNED FOR SUCH USE, THE PURCHASER SHALL USE PRODUCTS AT PURCHASER'S SOLE RISK, EVEN IF ST HAS BEEN INFORMED IN WRITING OF SUCH USAGE, UNLESS A PRODUCT IS EXPRESSLY DESIGNATED BY ST AS BEING INTENDED FOR "AUTOMOTIVE, AUTOMOTIVE SAFETY OR MEDICAL" INDUSTRY DOMAINS ACCORDING TO ST PRODUCT DESIGN SPECIFICATIONS. PRODUCTS FORMALLY ESCC, QML OR JAN QUALIFIED ARE DEEMED SUITABLE FOR USE IN AEROSPACE BY THE CORRESPONDING GOVERNMENTAL AGENCY.

Resale of ST products with provisions different from the statements and/or technical features set forth in this document shall immediately void any warranty granted by ST for the ST product or service described herein and shall not create or extend in any manner whatsoever, any liability of ST.

ST and the ST logo are trademarks or registered trademarks of ST in various countries.

Information in this document supersedes and replaces all information previously supplied.

The ST logo is a registered trademark of STMicroelectronics. All other names are the property of their respective owners.

© 2013 STMicroelectronics - All rights reserved

STMicroelectronics group of companies

Australia - Belgium - Brazil - Canada - China - Czech Republic - Finland - France - Germany - Hong Kong - India - Israel - Italy - Japan - Malaysia - Malta - Morocco - Philippines - Singapore - Spain - Sweden - Switzerland - United Kingdom - United States of America

www.st.com