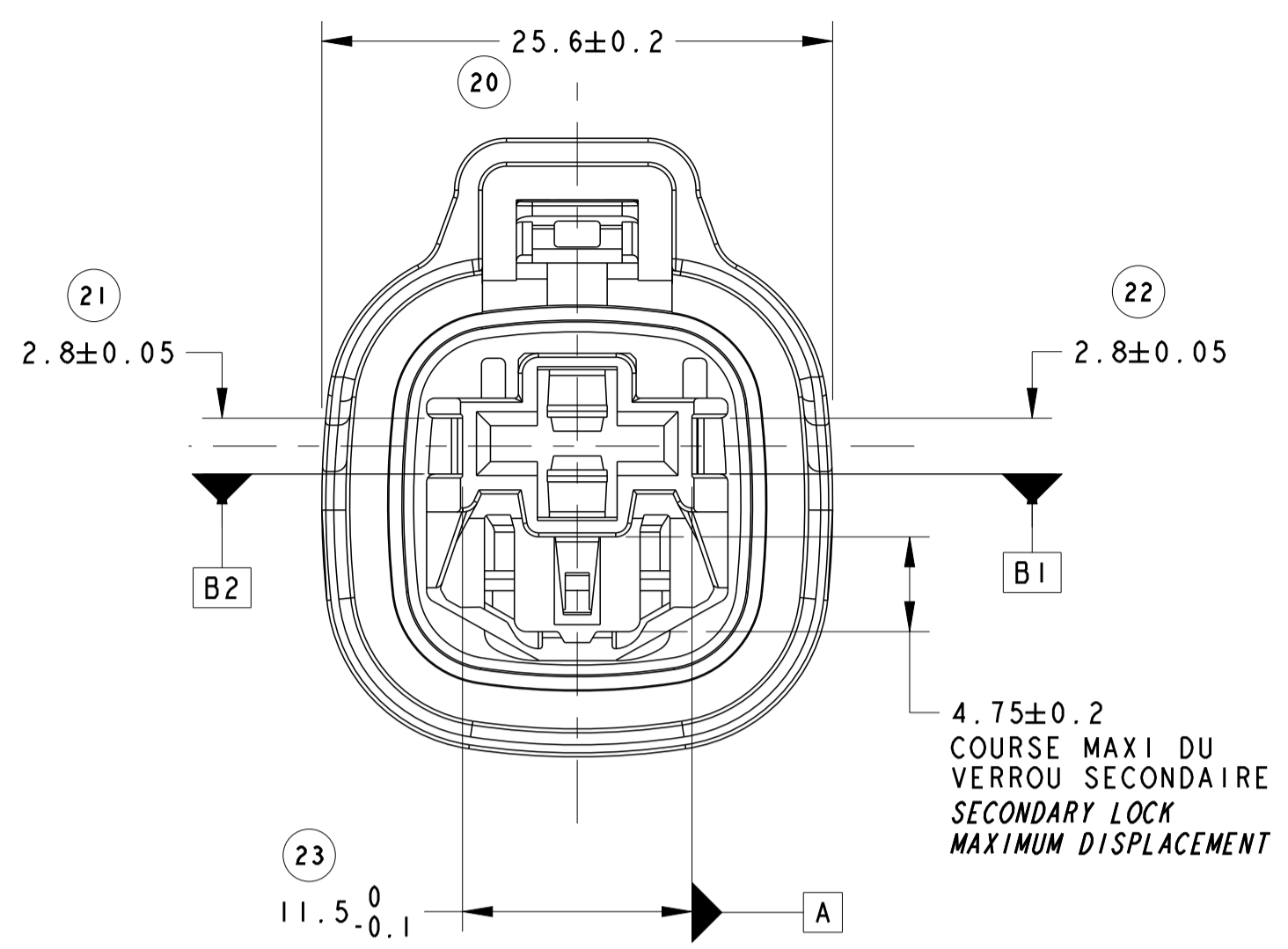
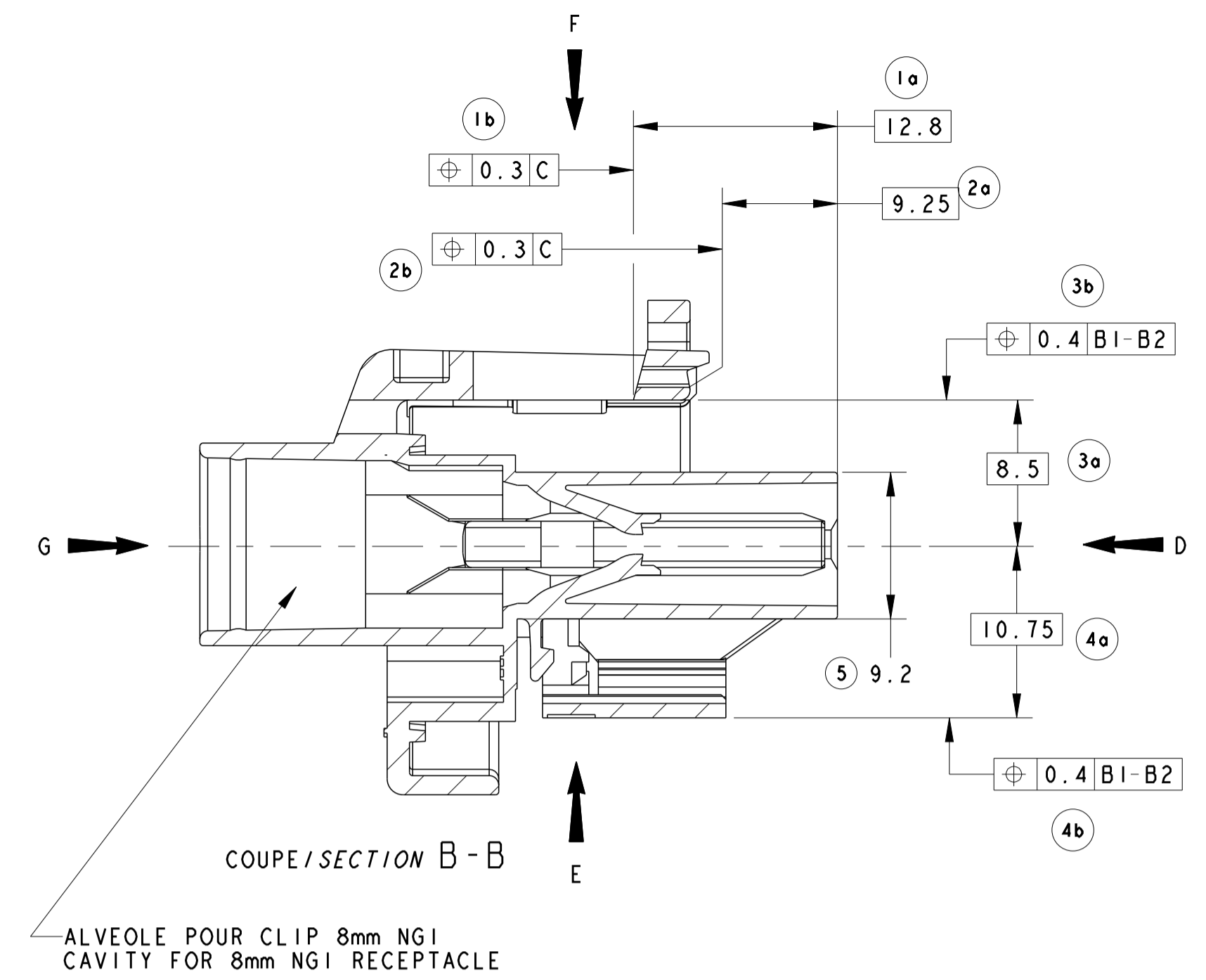


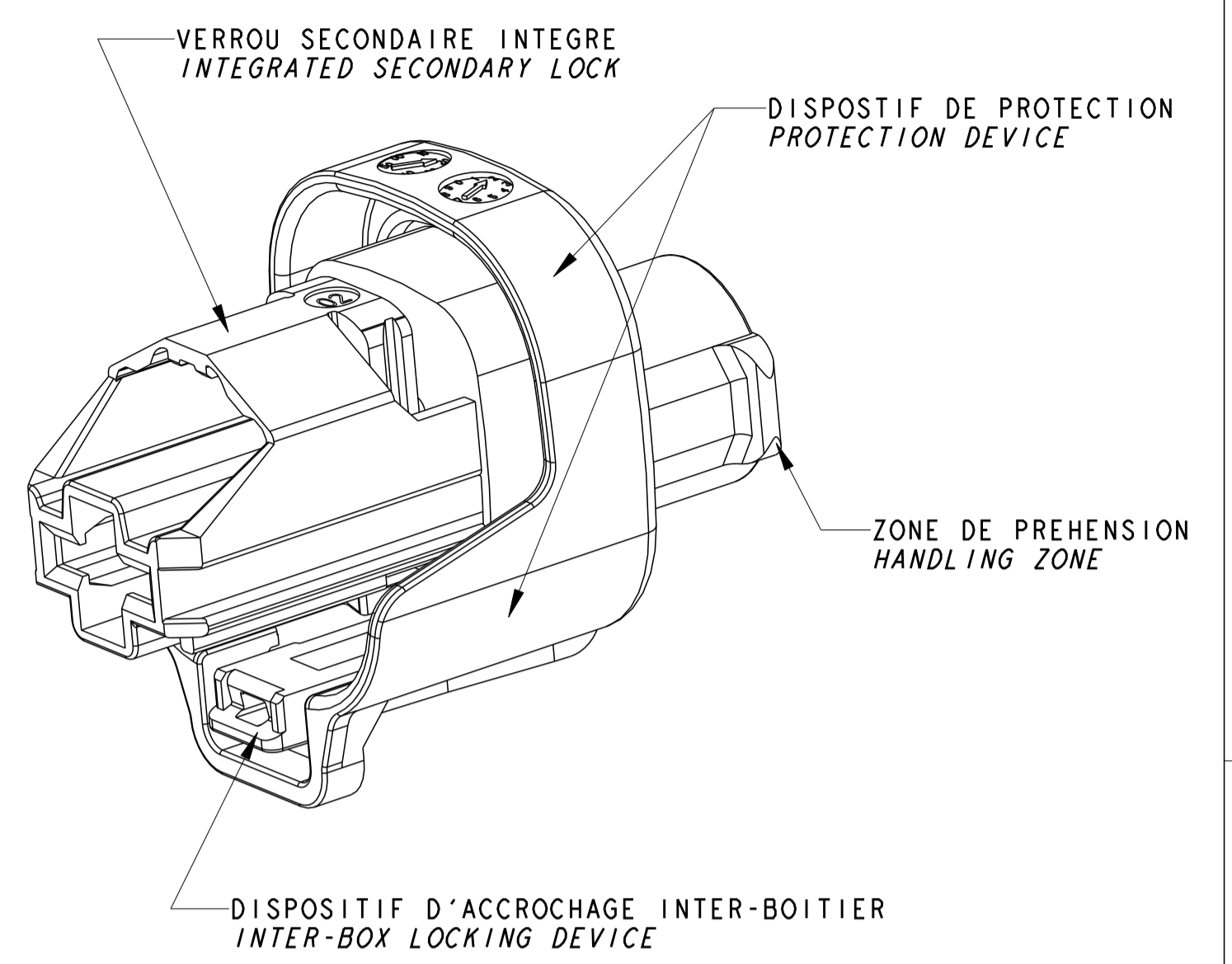
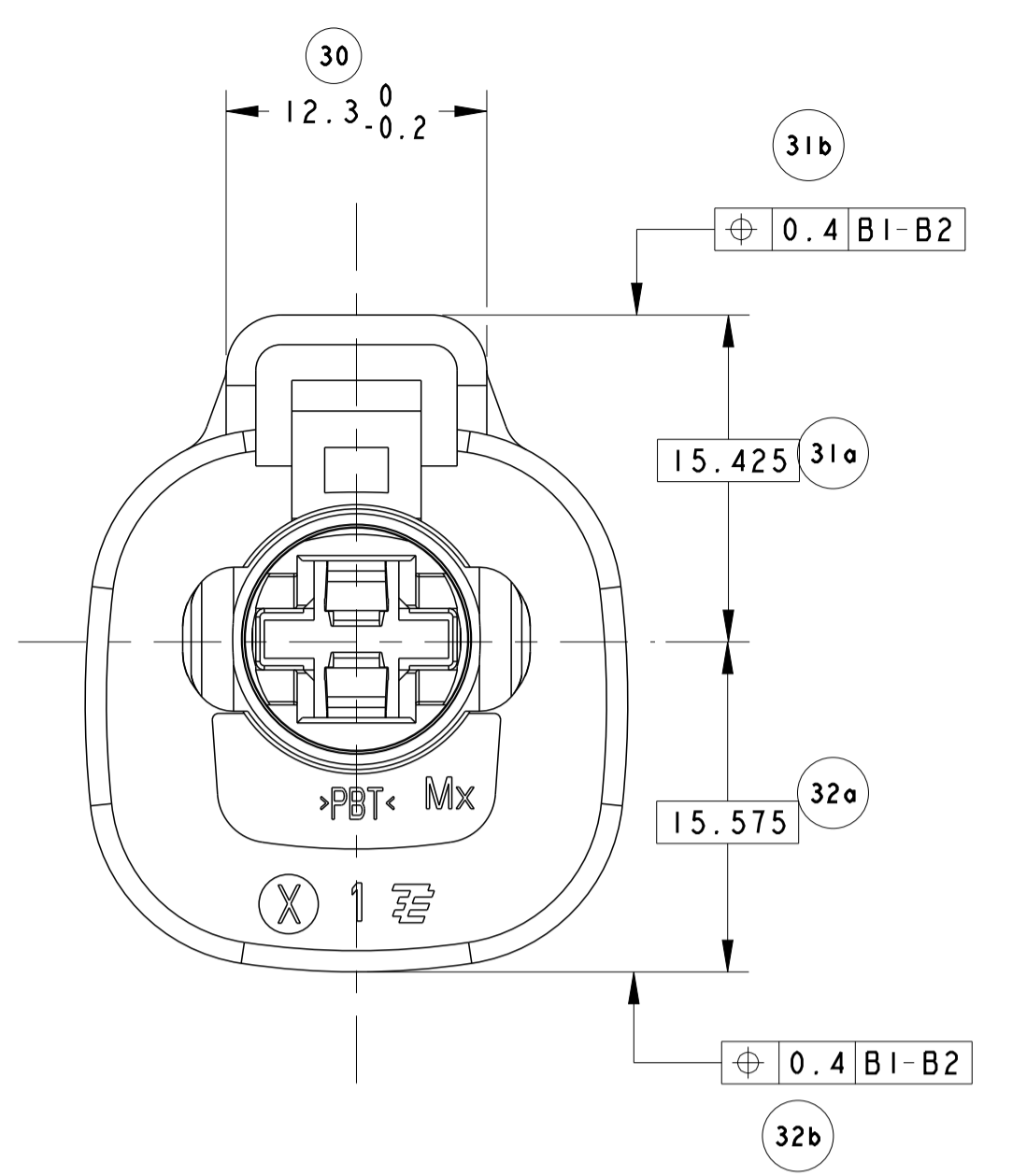
PORTE-CLIP EN POSITION DE LIVRAISON
RECEPTACLE HOUSING IN DELIVERING POSITION



4.75±0.2
COURSE MAXI DU
VERROU SECONDAIRE
SECONDARY LOCK
MAXIMUM DISPLACEMENT



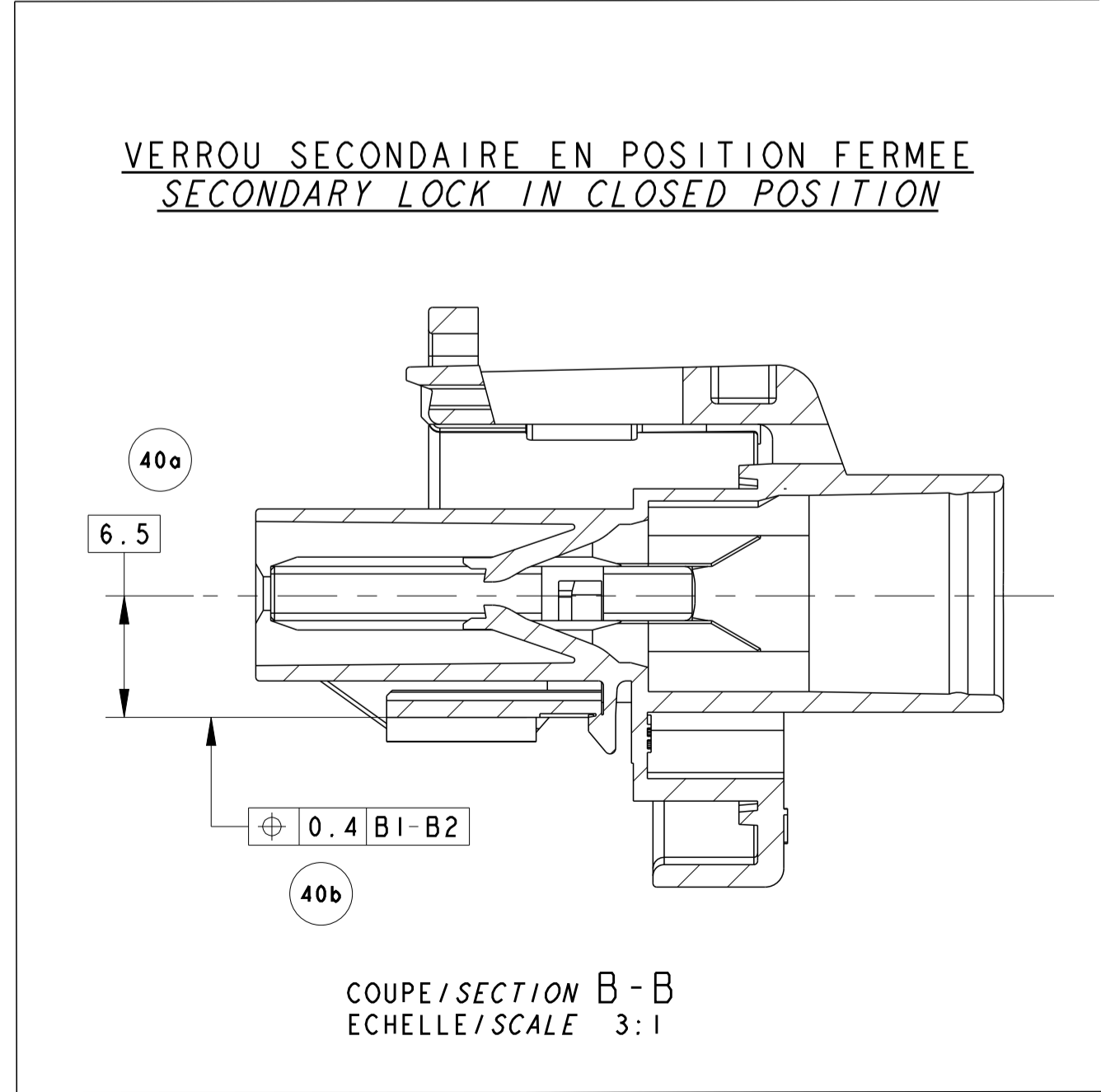
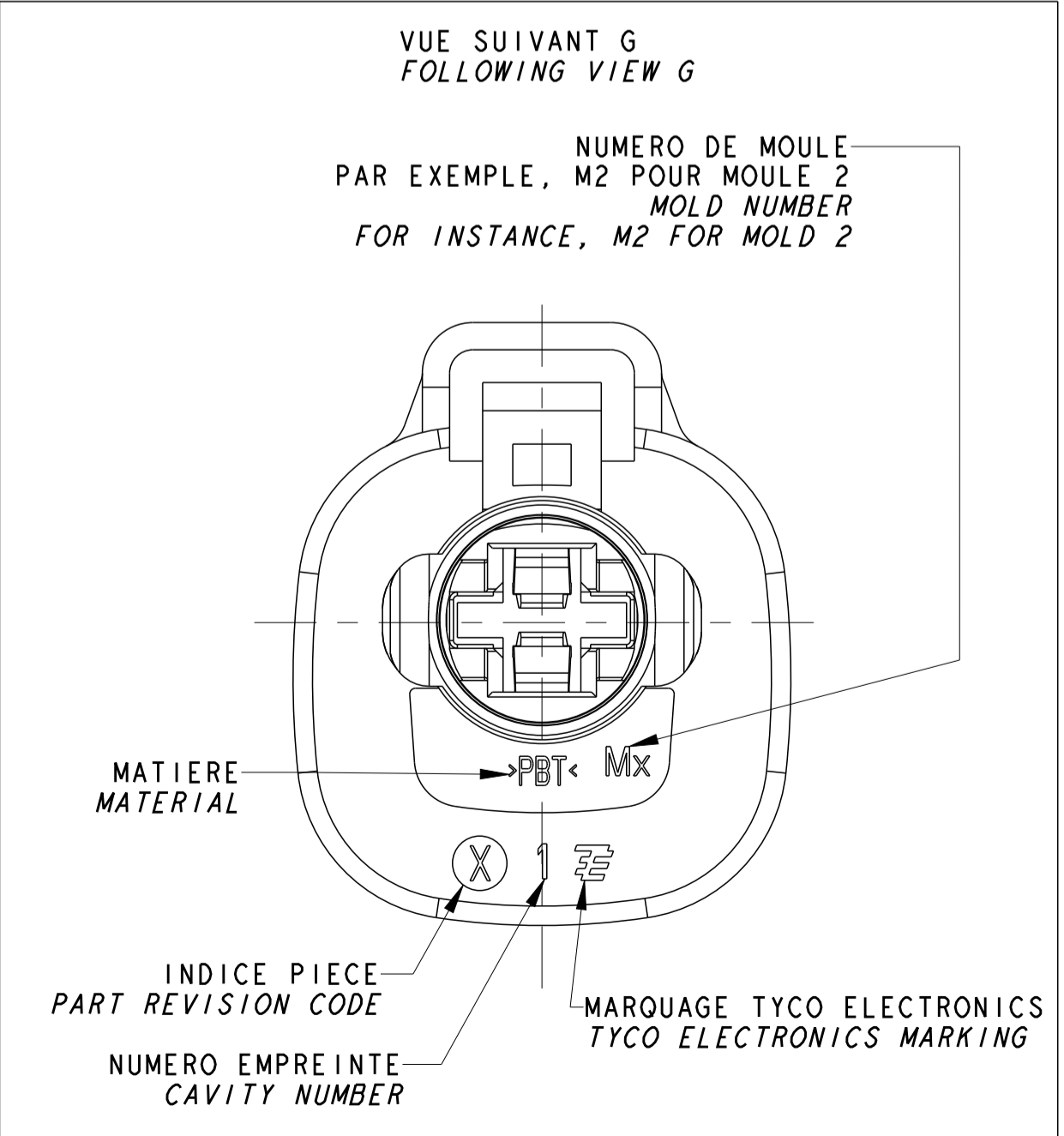
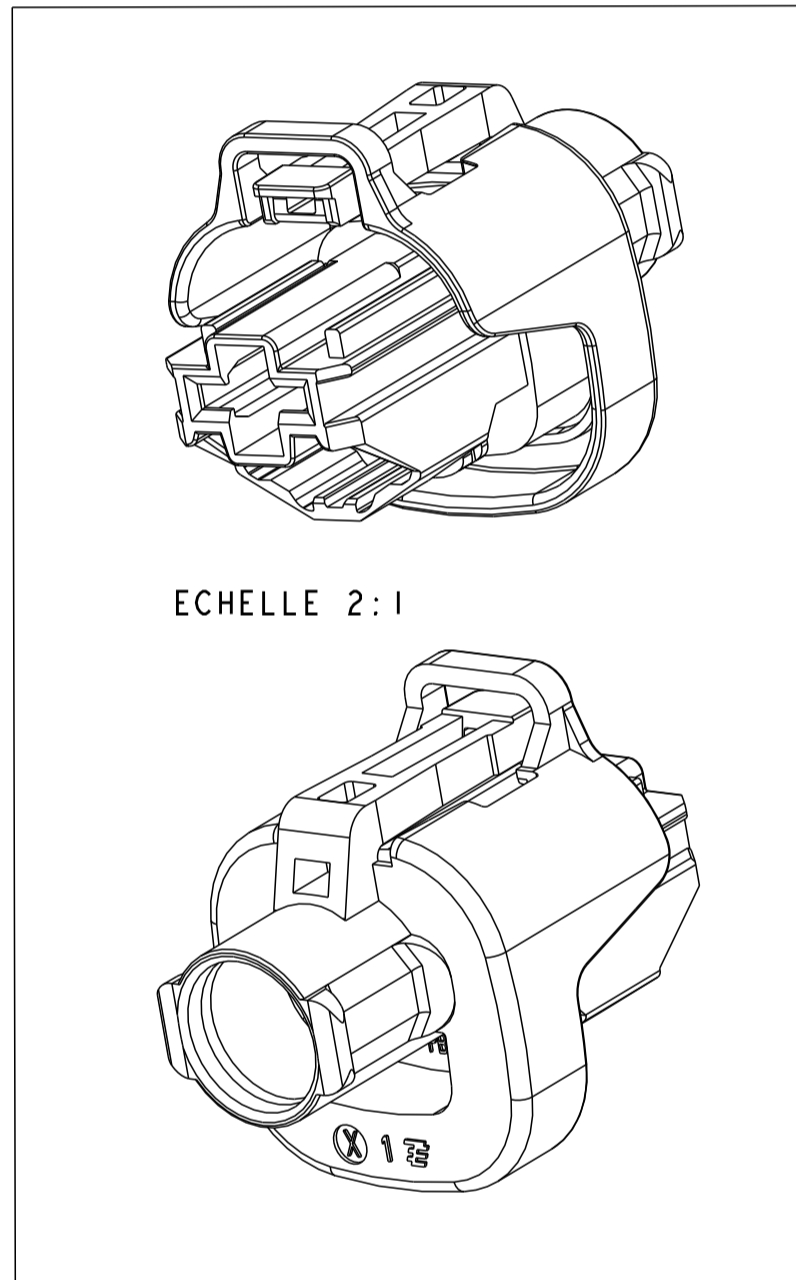
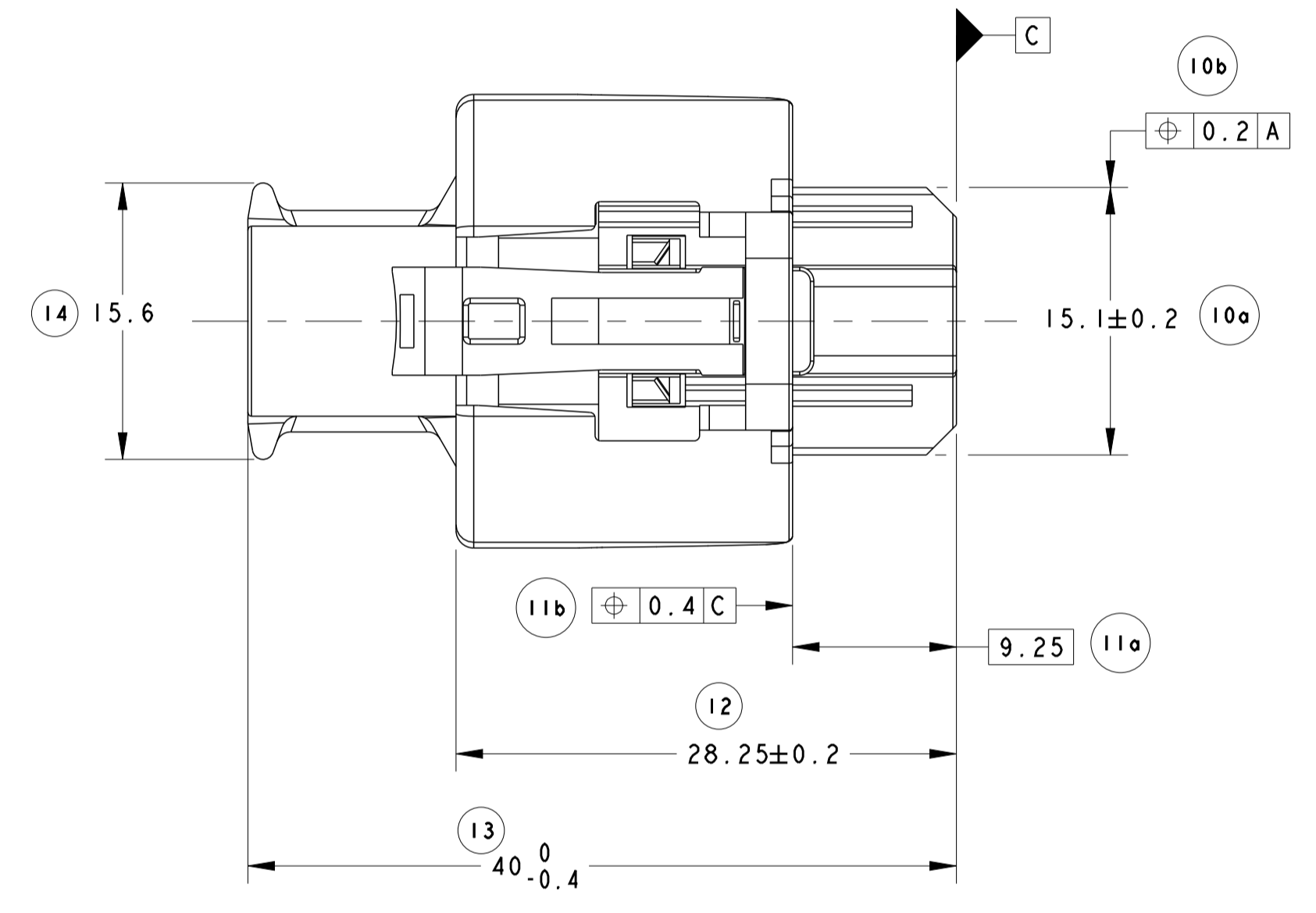
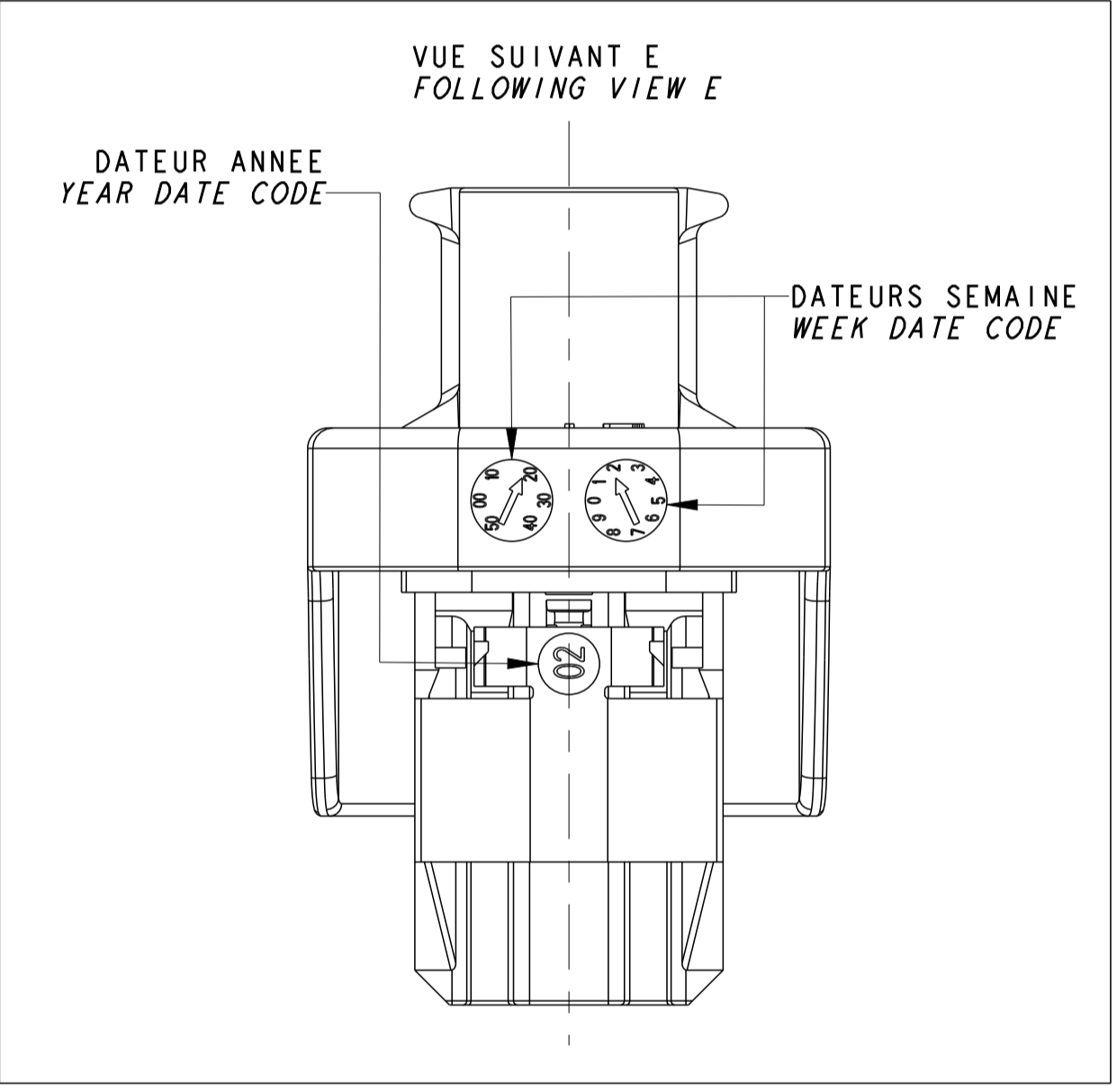
ALVEOLE POUR CLIP 8mm NGI
CAVITY FOR 8mm NGI RECEPTACLE



DOCUMENTS DE REFERENCE / REFERENCE DOCUMENTS :
- PLAN D'INTERFACE / INTERFACE DRAWING:
TYCO ELECTRONICS No/Nr 1544642

REFERENCES TE POUR CABLEURS TE PART NUMBERS FOR HARNESS MAKERS		
COMPOSANTS COMPONENTS	REF TYCO ELECTRONICS TYCO ELECTRONICS PN	MATIERE / MATERIAL
CLIP 8mm NGI G2: GAMME DE 3 A 6 mm ² 8mm NGI RECEPTACLE G2: RANGE FROM 3 TO 6 mm ²	1544227-1	CUIVRE MICRO-ALLIE MICRO ALLOYED COPPER
CLIP 8mm NGI G3: GAMME DE 7 A 10 mm ² 8mm NGI RECEPTACLE G3: RANGE FROM 7 TO 10 mm ²	1544228-1	CUIVRE MICRO-ALLIE MICRO ALLOYED COPPER

COMPOSANTS ASSOCIES POUR CABLEURS ASSOCIATED COMPONENTS FOR HARNESS MAKERS			
COMPOSANTS COMPONENTS	REF TE TE PN	MATIERE / MATERIAL	COULEUR COLOR
PORTE-LANGUETTE IV 8mm NGI 1-WAY 8mm NGI TAB HOUSING	1544606-1	PBT FV-10 VO PBT GF-10 VO	NOIR / BLACK
PORTE-LANGUETTE IV 8mm NGI 1-WAY 8mm NGI TAB HOUSING	1544606-2	PBT FV-10 VO PBT GF-10 VO	BLEU / BLUE
PORTE-LANGUETTE IV 8mm NGI 1-WAY 8mm NGI TAB HOUSING	1544606-3	PBT FV-10 VO PBT GF-10 VO	GRIS / GREY



REFERENCE DES COMPOSANTS / COMPONENTS PART NUMBER			
REFERENCE TE TE PN	1544601-1	1544601-2	1544601-3
COULEUR COLOR	NOIR / BLACK	BLEU / BLUE	GRIS / GREY

DIMENSIONS: mm TOLERANCES UNLESS OTHERWISE SPECIFIED: 0 PLC/DEC: ±0.2 1 PLC/DEC: ±0.2 2 PLC/DEC: ±0.2 3 PLC/DEC: ±0.2 4 PLC/DEC: ±0.2 ANGLES: 45° FINISH:	DWN/DSSINE: 31JUL2007 F. SAPIET CHEF/REVIFIE: 31JUL2007 P. CHARLES APVD/APPROVE: 31JUL2007 J. DABER PRODUCT SPEC: 108-15282 SPEC. PRODUCT: 411-13664 APPLICATION SPEC: 411-13664 WEIGHT: APPROX. 5.8 g MATERIAL: VOIR TABLEAU (SEE TABLE)	Tyco Electronics France SAS 517 av. de la Boisse, 73000 Chambéry NAME: PORTE CLIP 1 VOIE 8mm NGI IWAY 8mm NGI RECEPTACLE HOUSING SIZE: A1 CAGE CODE: 00779 DRAWING NO: 1544601 SHEET: 1 OF 1 REV: C
--	---	---