

MATERIALS AND FINISHES

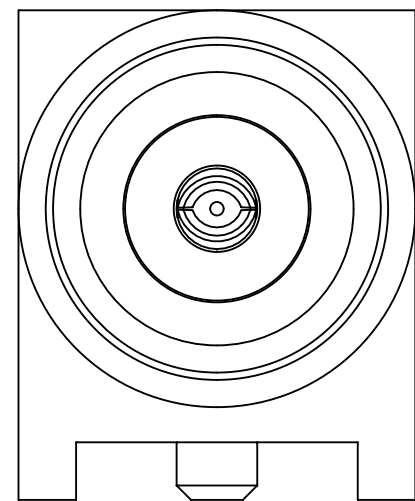
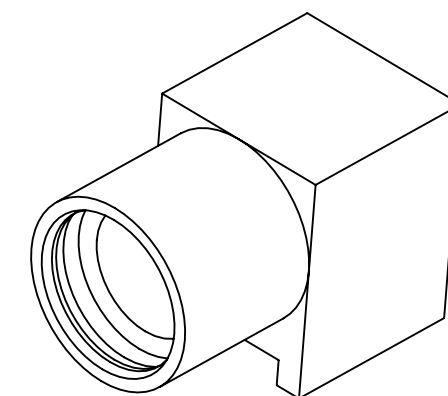
BODY: BRASS
PLATED GOLD

CENTER CONTACT: BERYLLIUM COPPER
PLATED GOLD

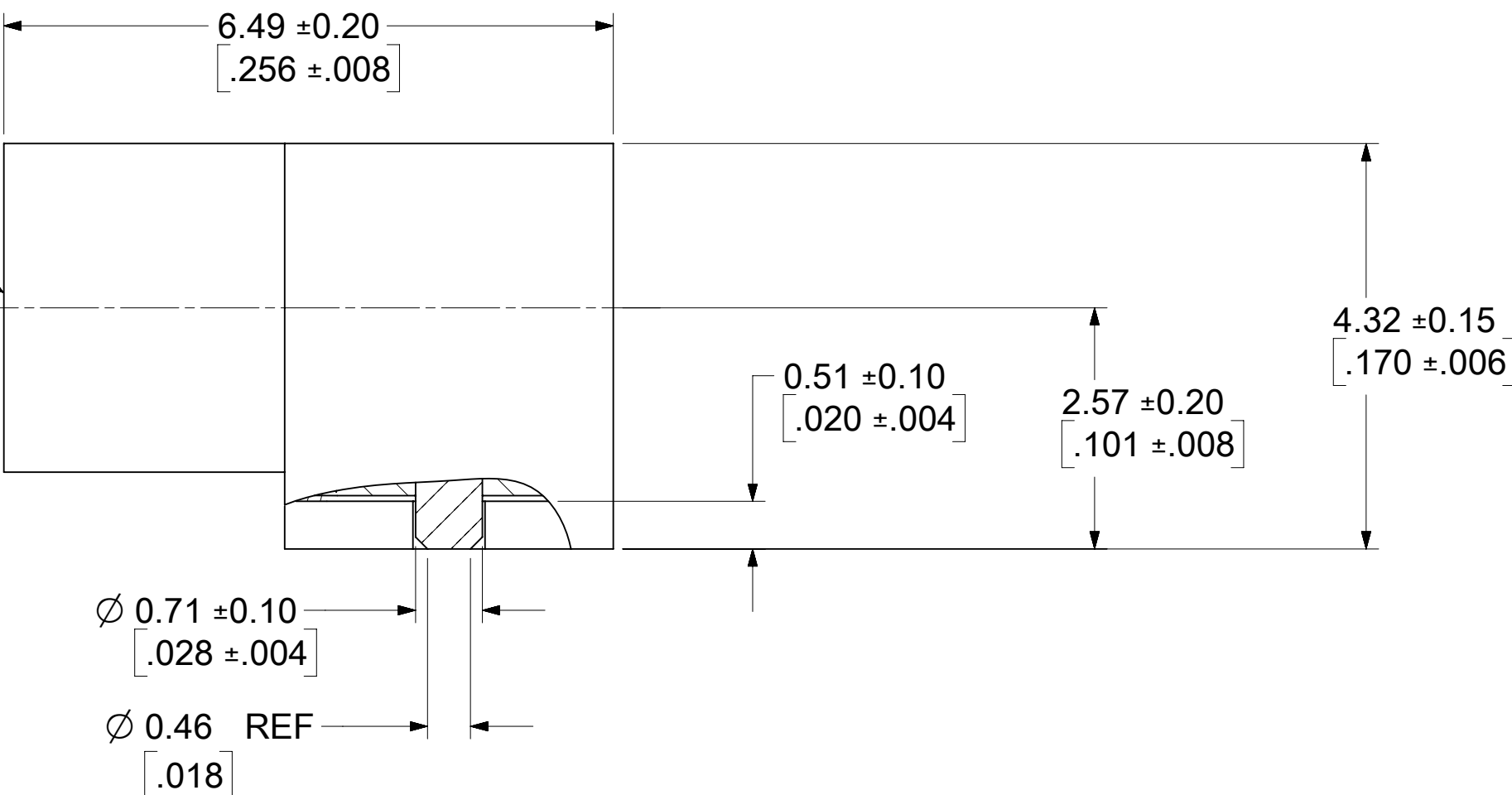
INSULATOR: TEFLON

4.74 ±0.20
[.187 ±.008]
THE CENTER OF VACUUM NOZZLE

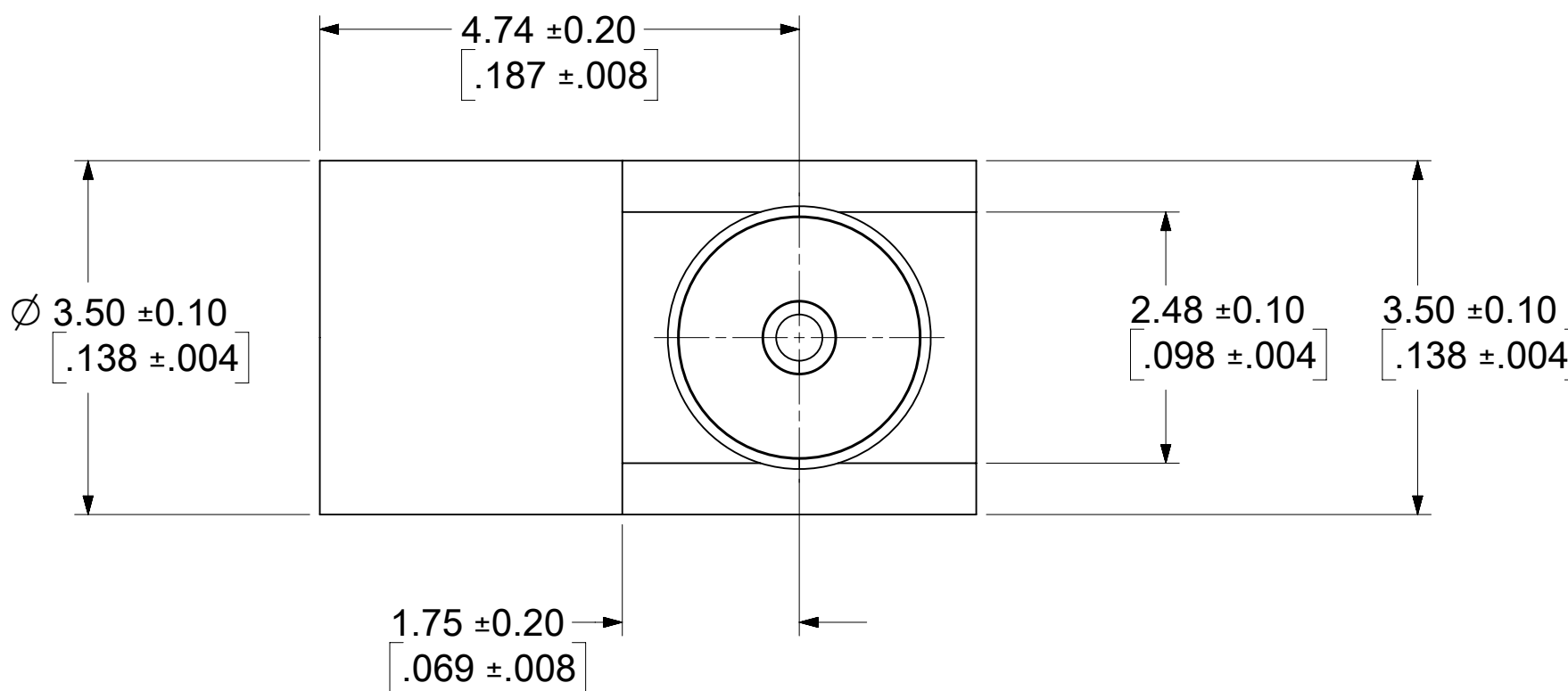
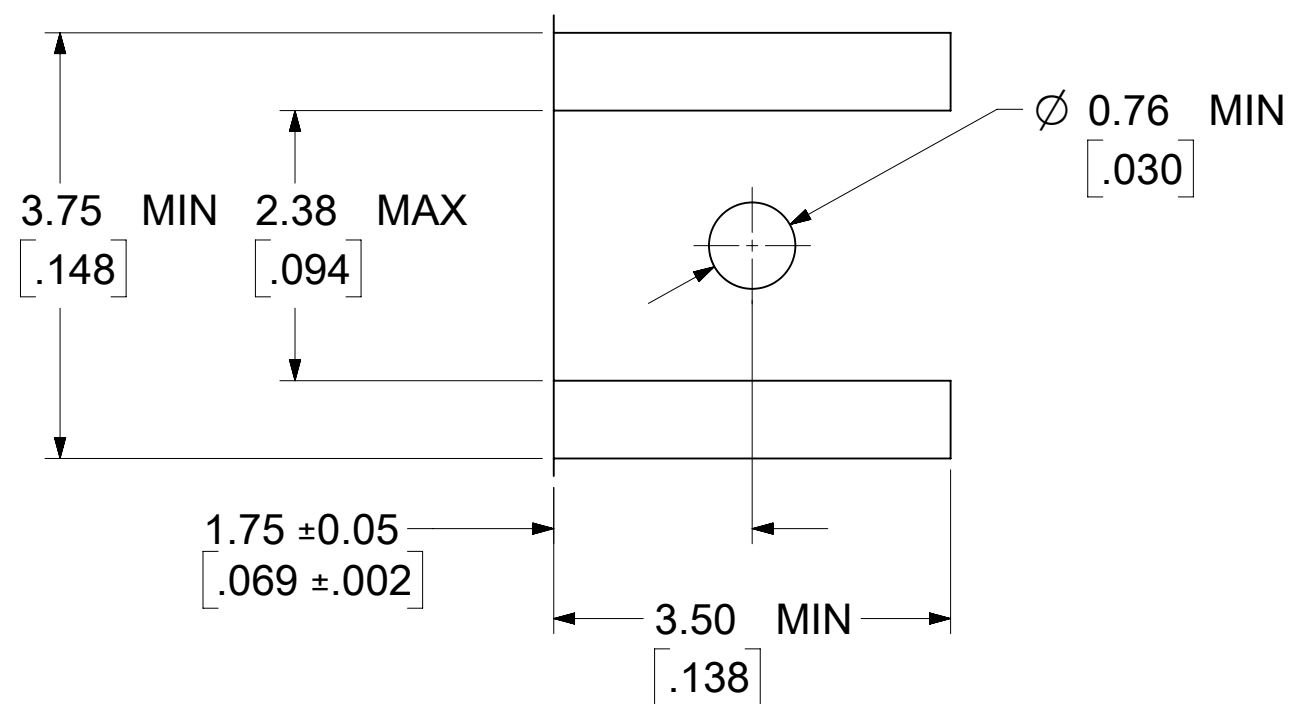
∅ 3.00
[.118]
THE AREA OF VACUUM NOZZLE



MMCX JACK
INTERFACE



PCB LAYOUT

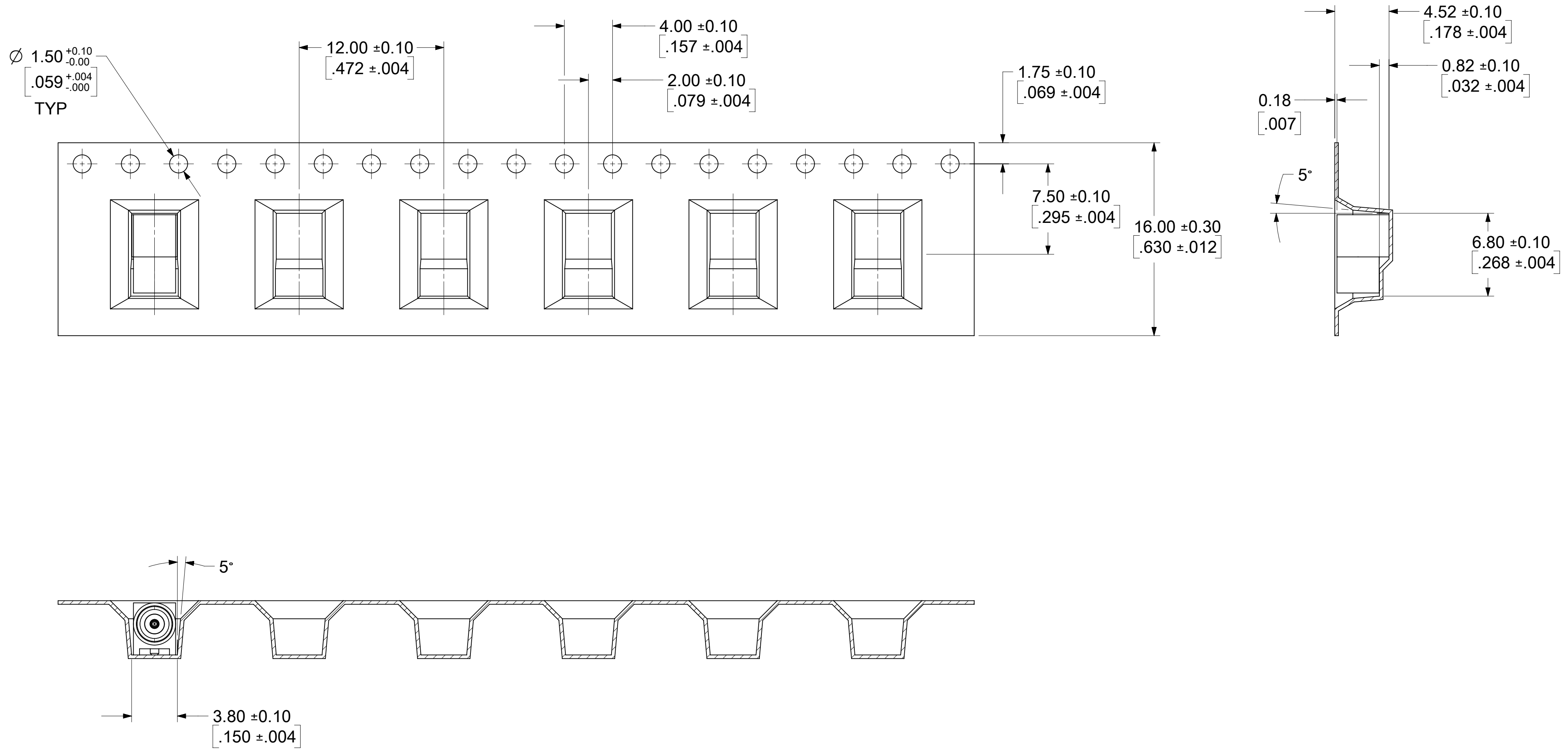


73415-3761	73415-3760 TAPE AND REEL (1000 PCS)
73415-3760	TRAY
PART NUMBER	PACKAGING

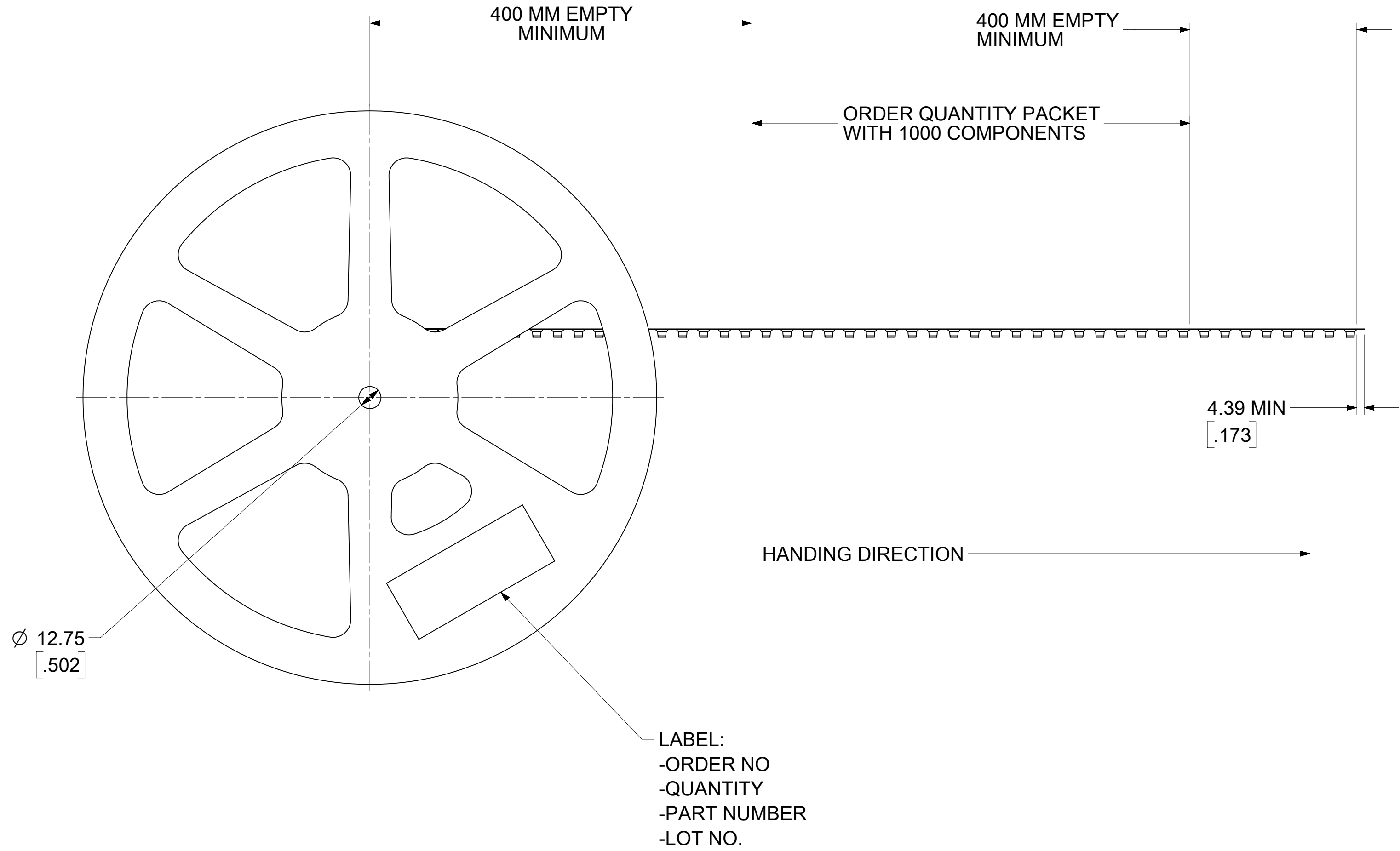
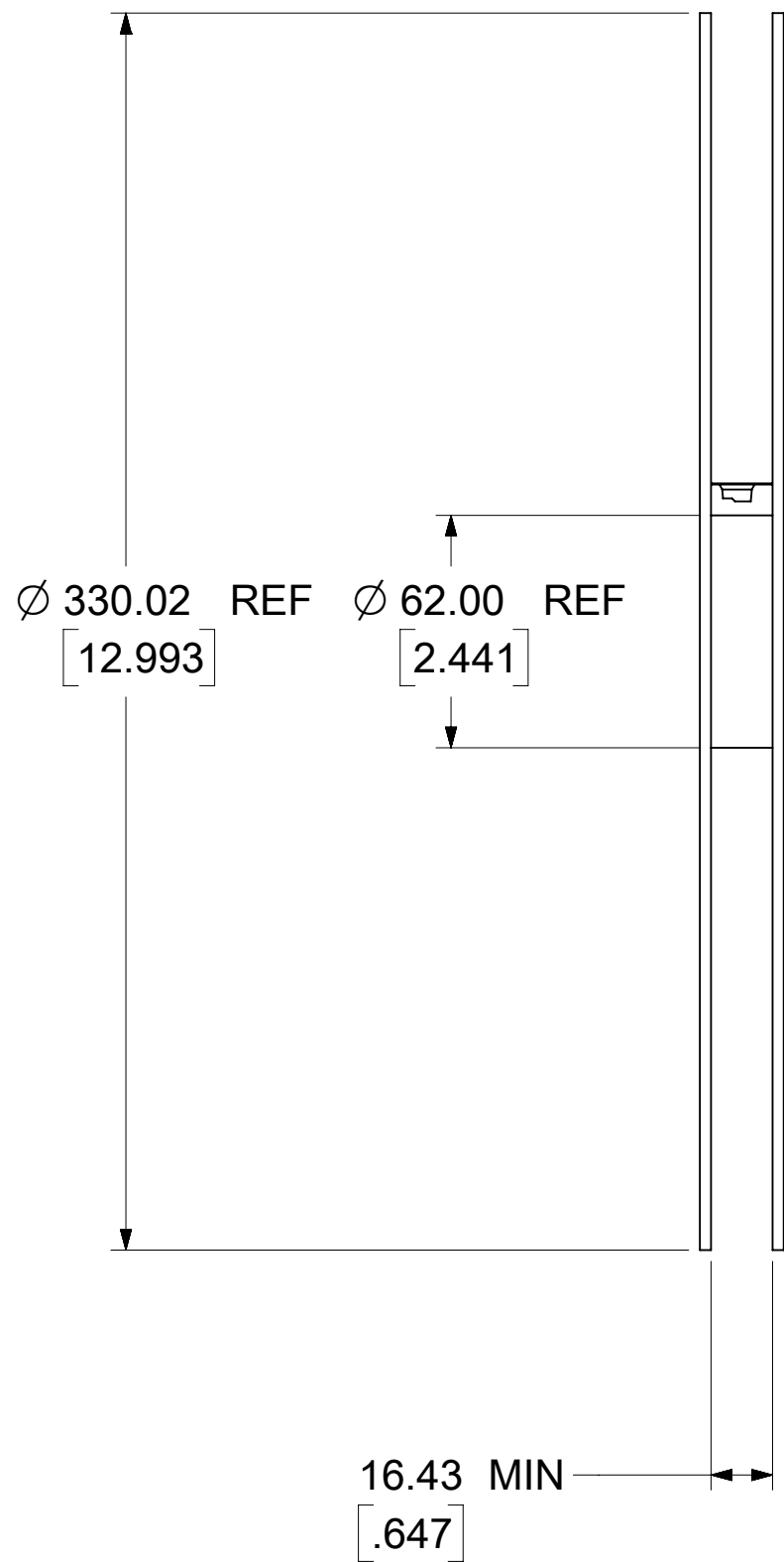
CECC-22.340	INTERFACE
SPECIFICATION	DESCRIPTION

THIS DRAWING CONTAINS INFORMATION THAT IS PROPRIETARY TO MOLEX ELECTRONIC TECHNOLOGIES, LLC AND SHOULD NOT BE USED WITHOUT WRITTEN PERMISSION											
FUNCTIONAL SYMBOLS	DIMENSION UNITS	SCALE	CURRENT REV DESC:								
FA = 0	MM/INCH	NTS	EWR-15132-A ADDED PACKAGE DRAWING FOR -3761 PART NO								
EA = 0	GENERAL TOLERANCES (UNLESS SPECIFIED)		EWR-15217-B UPDATE PACKAGE SPEC								
EP = 0	ANGULAR TOL ± 2.0°		EC NO: 709028			2022/04/08			2022/06/06		
DIVISIONAL SYMBOLS			4 PLACES ±			DRWN: JSU18			2022/06/06		
			3 PLACES ±			CHK'D: YCHENG			2022/06/06		
			2 PLACES ±			APPR: YCHENG			2022/06/06		
			1 PLACE ±			INITIAL REVISION:					
			0 PLACES ±			DRWN: AROBERTSON			2009/09/21		
			DRAFT WHERE APPLICABLE MUST REMAIN WITHIN DIMENSIONS			APPR: JWIENER			2009/09/21		
			THIRD ANGLE PROJECTION			DRAWING			SERIES		
			C-SIZE			73415			DOCUMENT NUMBER		
									SD-73415-376		
									DOC TYPE		
									PSD		
									DOC PART		
									001		
									REVISION		
									A3		
									MATERIAL NUMBER		
									CUSTOMER		
									GENERAL MARKET		
									SHEET NUMBER		
									1 OF 4		

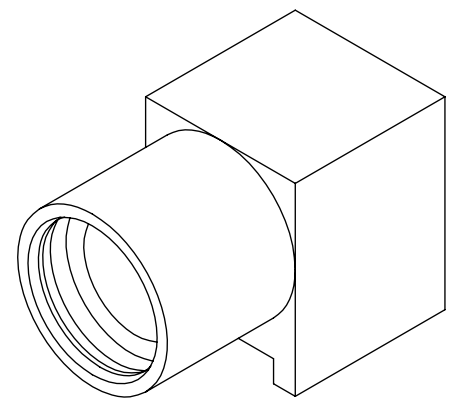
NOTE:
 1. DIMENSIONS ARE PROVIDED FOR REFERENCE ONLY.
 PART # 73415-3761



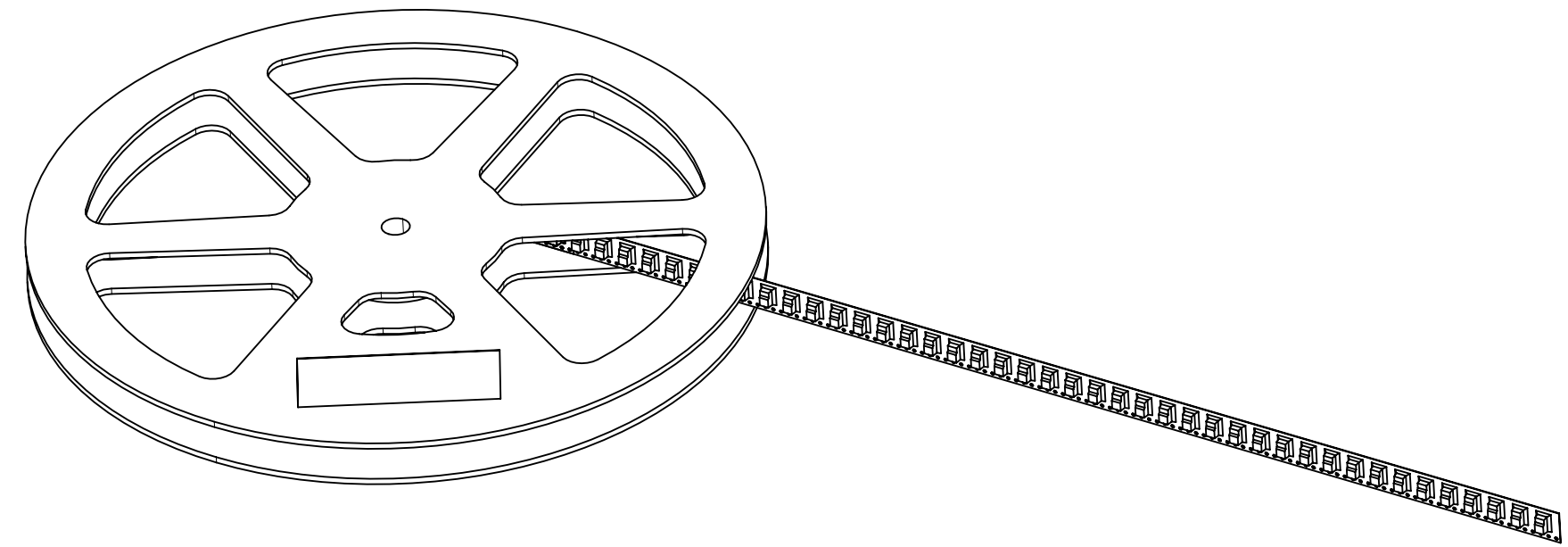
FUNCTIONAL SYMBOLS										THIS DRAWING CONTAINS INFORMATION THAT IS PROPRIETARY TO MOLEX ELECTRONIC TECHNOLOGIES, LLC AND SHOULD NOT BE USED WITHOUT WRITTEN PERMISSION									
DIMENSION UNITS		SCALE		CURRENT REV DESC:															
MM/INCH		NTS		EWR-15132-A ADDED PACKAGE DRAWING FOR -3761 PART NO															
GENERAL TOLERANCES (UNLESS SPECIFIED)		EWR-15217-B UPDATE PACKAGE SPEC																	
ANGULAR TOL $\pm 2.0^\circ$		EC NO: 709028																	
4 PLACES \pm		DRWN: JSU18 2022/04/08																	
3 PLACES \pm		CHK'D: YCHENG 2022/06/06																	
2 PLACES \pm		APPR: YCHENG 2022/06/06																	
1 PLACE \pm		INITIAL REVISION:																	
0 PLACES \pm		DRWN: AROBERTSON 2009/09/21																	
DRAFT WHERE APPLICABLE MUST REMAIN WITHIN DIMENSIONS		THIRD ANGLE PROJECTION		DRAWING		SERIES		DOCUMENT NUMBER		DOC TYPE		DOC PART		REVISION					
				C-SIZE		73415		SD-73415-376		PSD		001		A3					
								MATERIAL NUMBER		CUSTOMER		SHEET NUMBER							
										GENERAL MARKET		2 OF 4							



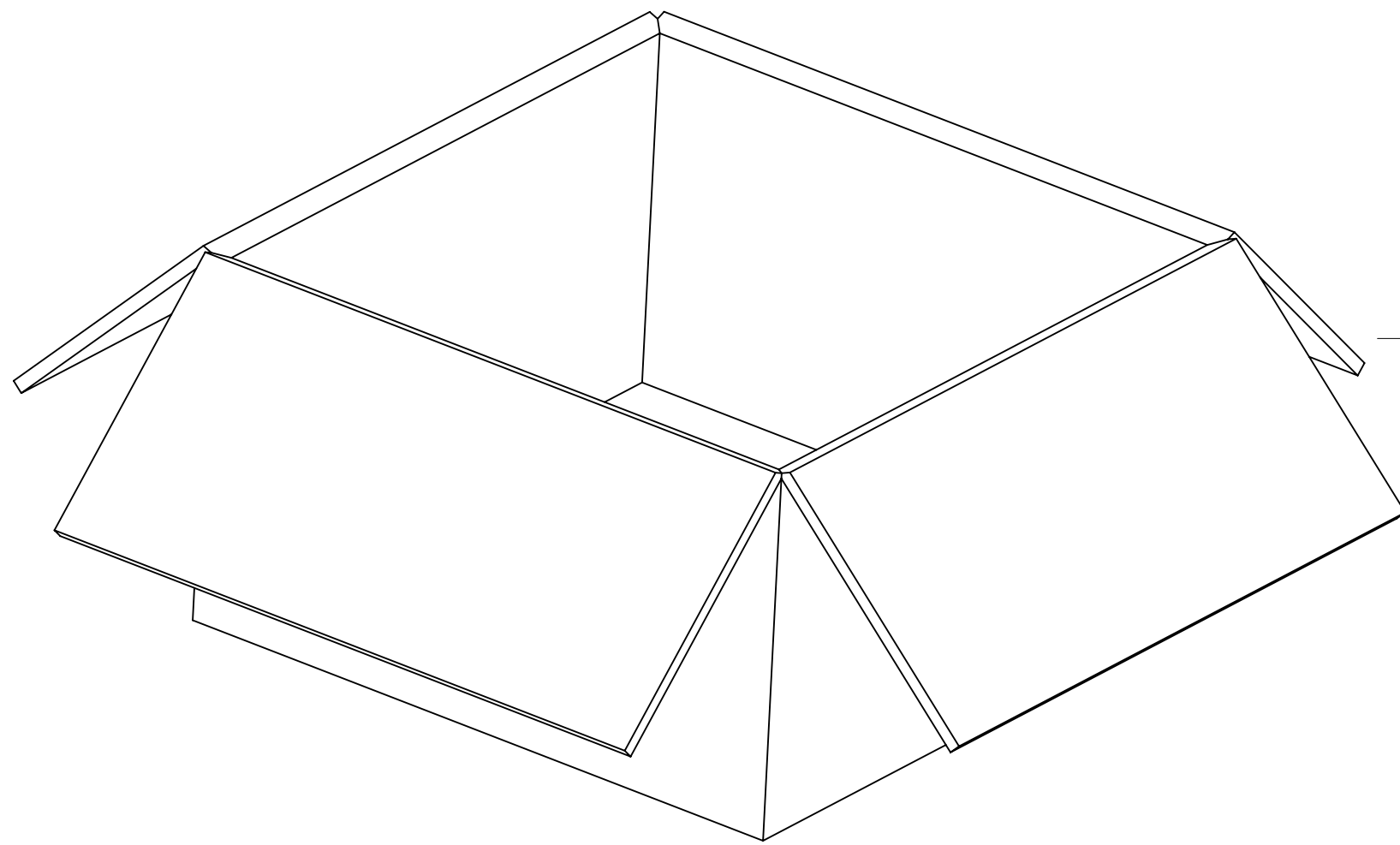
FUNCTIONAL SYMBOLS										THIS DRAWING CONTAINS INFORMATION THAT IS PROPRIETARY TO MOLEX ELECTRONIC TECHNOLOGIES, LLC AND SHOULD NOT BE USED WITHOUT WRITTEN PERMISSION											
DIMENSION UNITS		SCALE		CURRENT REV DESC:						 MMCX JACK RA SMT PCB RECEPTACLE MMCX-J/PCB, EWR-1638											
MM/INCH		NTS		EWR-15132-A ADDED PACKAGE DRAWING FOR -3761 PART NO EWR-15217-B UPDATE PACKAGE SPEC																	
GENERAL TOLERANCES (UNLESS SPECIFIED)										EC NO: 709028											
ANGULAR TOL ± 2.0°										DRWN: JSU18					2022/04/08						
DIVISIONAL SYMBOLS										CHK'D: YCHENG					2022/06/06						
4 PLACES ±										APPR: YCHENG					2022/06/06						
3 PLACES ±										INITIAL REVISION:					DOCUMENT NUMBER						
2 PLACES ±										DRWN: AROBERTSON					SD-73415-376						
1 PLACE ±										APPR: JWIENER					DOC TYPE		DOC PART		REVISION		
0 PLACES ±										THIRD ANGLE PROJECTION		DRAWING		SERIES		MATERIAL NUMBER		CUSTOMER		SHEET NUMBER	
DRAFT WHERE APPLICABLE MUST REMAIN WITHIN DIMENSIONS												C-SIZE		73415		GENERAL MARKET		3 OF 4			



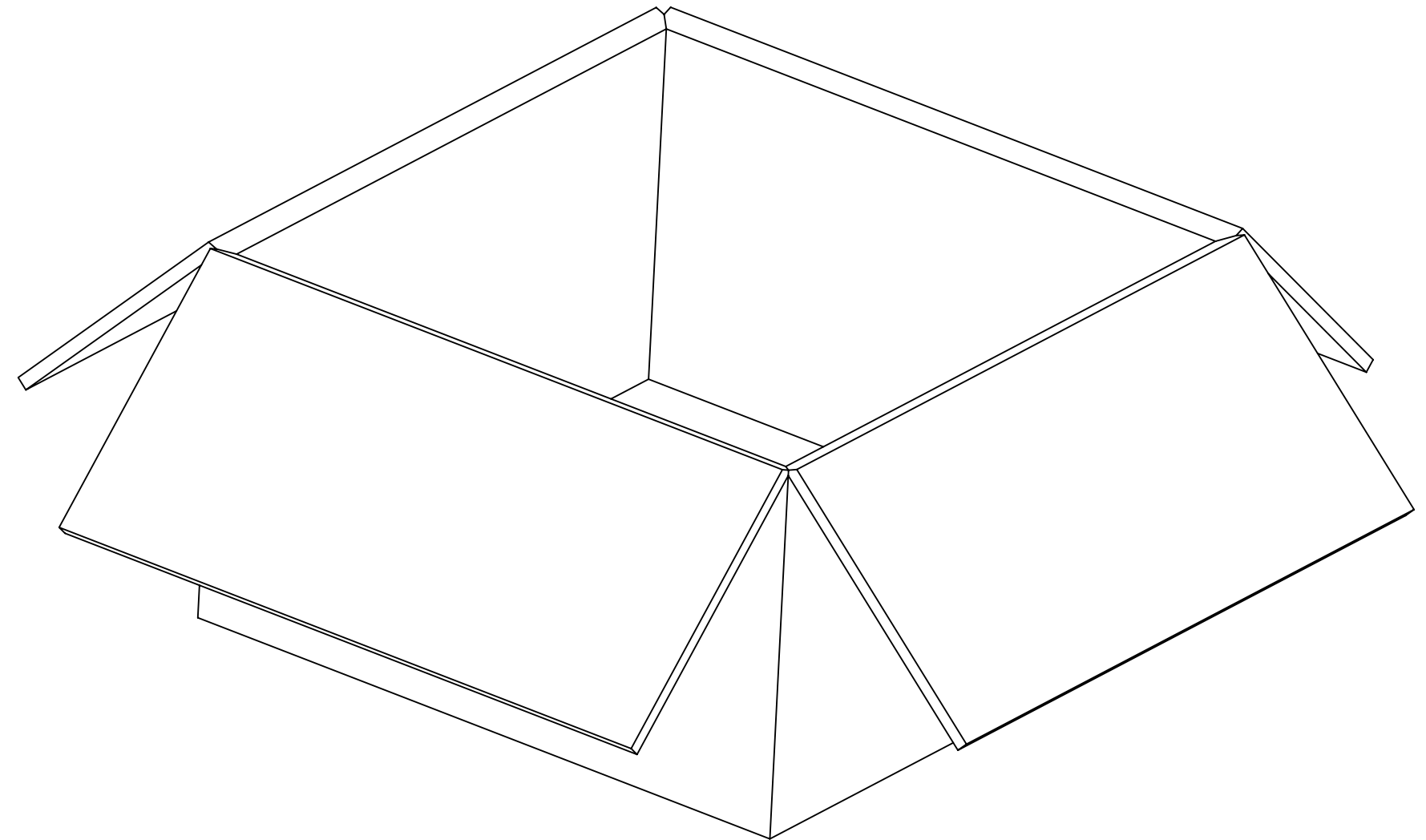
PART # 73415-3761



1000 SET PER TAPE & REEL
P/N: 89707-0367



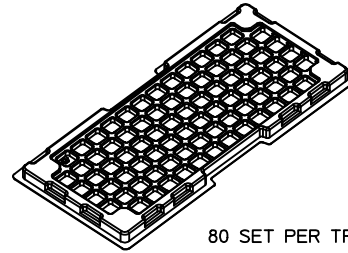
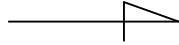
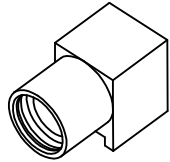
7000 SET PER INNER CARTON BOX
P/N: 89499-9028
L343MM * W343MM * D188MM



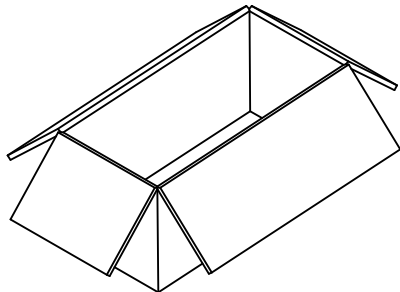
7000 SET PER TAPE & REEL
P/N: 96708-0005
L394MM * W391MM * D212MM

FUNCTIONAL SYMBOLS	THIS DRAWING CONTAINS INFORMATION THAT IS PROPRIETARY TO MOLEX ELECTRONIC TECHNOLOGIES, LLC AND SHOULD NOT BE USED WITHOUT WRITTEN PERMISSION										
	DIMENSION UNITS	SCALE	CURRENT REV DESC:							molex	
$\frac{F}{A} = 0$	MM/INCH	NTS	EWR-15132-A ADDED PACKAGE DRAWING FOR -3761 PART NO EWR-15217-B UPDATE PACKAGE SPEC								
$\frac{E}{C} = 0$	GENERAL TOLERANCES (UNLESS SPECIFIED)		EC NO: 709028							MMCX JACK RA	
$\frac{E}{P} = 0$	ANGULAR TOL $\pm 2.0^\circ$		DRWN: JSU18 2022/04/08							SMT PCB RECEPTACLE MMCX-J/PCB, EWR-1638	
DIVISIONAL SYMBOLS	4 PLACES \pm		CHK'D: YCHENG 2022/06/06							PRODUCT CUSTOMER DRAWING	
	3 PLACES \pm		APPR: YCHENG 2022/06/06							DOCUMENT NUMBER	
	2 PLACES \pm		INITIAL REVISION:							DOC TYPE	
	1 PLACE \pm		DRWN: AROBERTSON 2009/09/21							DOC PART	
0 PLACES \pm		APPR: JWIENER 2009/09/21							REVISION		
DRAFT WHERE APPLICABLE MUST REMAIN WITHIN DIMENSIONS			THIRD ANGLE PROJECTION	DRAWING	SERIES	MATERIAL NUMBER		CUSTOMER		SHEET NUMBER	
				C-SIZE	73415	SD-73415-376		GENERAL MARKET		4 OF 4	

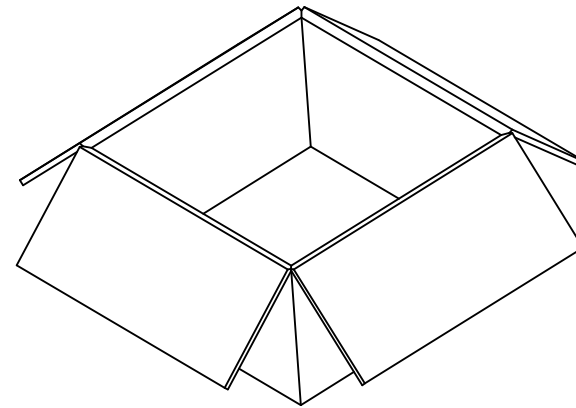
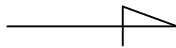
DOCUMENT STATUS	P1	RELEASE DATE	2022/06/06	06:20:33
-----------------	----	--------------	------------	----------



80 SET PER TRAY
TRAY P/N 89707-0190



1600 SET PER INNER CARTON
P/N 96707-0001

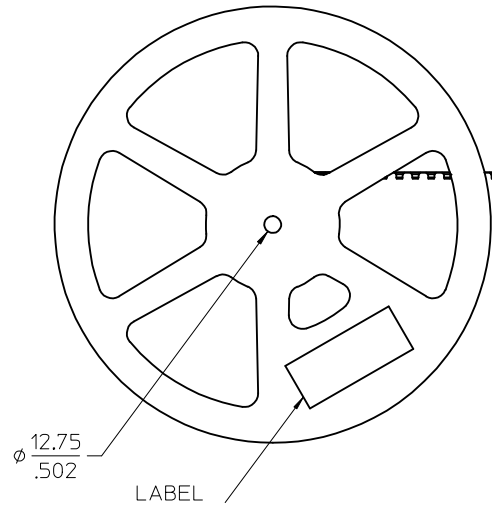
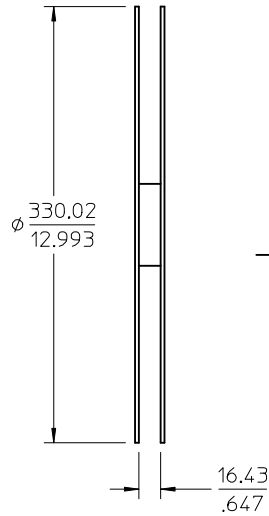
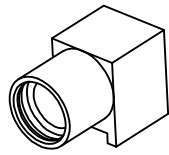


3200 SET PER OUTER CARTON
P/N 96708-0005

PACKAGING FOR PART NO. 73415-3760

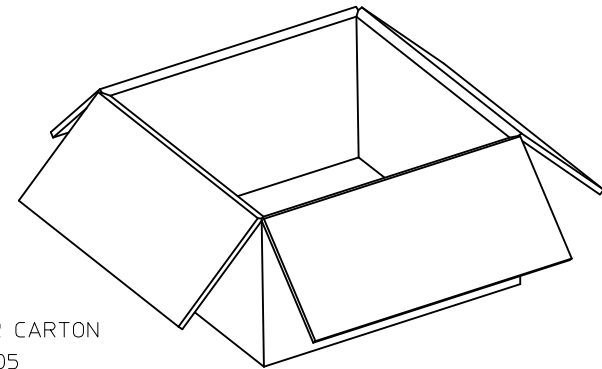
CHGNEW RELEASE EC NO: URF2015-0662 DRAWN: YCHENG 2015/06/09 CHKD: APPR: YCHENG 2015/06/09	QUALITY SYMBOLS	GENERAL TOLERANCES (UNLESS SPECIFIED)	DIMENSION STYLE	SCALE	DESIGN UNITS	THIRD ANGLE PROJECTION
	▽=0	mm INCH	MM/IN	1:5	METRIC	☉
	▽=0	4 PLACES ± --- ± ---	DRAWN BY DATE	TITLE		
	▽=0	3 PLACES ± --- ± ---	YCHENG 2015/05/26	PACKAGING FOR 73415-376		
REV	DESCRIPTION	2 PLACES ± --- ± ---	CHECKED BY DATE	molex		
A		1 PLACE ± --- ± ---	JUDY 2015/05/26	DOCUMENT NO.		
		0 PLACE ± --- ± ---	APPROVED BY DATE	SD-73415-376PKG		
		ANGULAR ± 2 °	YCHENG 2015/06/09	SHEET NO.		
		DRAFT WHERE APPLICABLE MUST REMAIN WITHIN DIMENSIONS	MATERIAL NO.	1 OF 2		
			SIZE	THIS DRAWING CONTAINS INFORMATION THAT IS PROPRIETARY TO MOLEX INCORPORATED AND SHOULD NOT BE USED WITHOUT WRITTEN PERMISSION		

PACKAGING FOR PART NO. 73415-3761



EMBOSSED
P/N 89707-0367

1000 SET PER ONE REEL



7000 SET PER CARTON
P/N 96708-0005

SEE SHEET1 EC NO: URF2015-0662 DRAWN: YCHENG 2015/06/09 CHKD: APPR: YCHENG 2015/06/09	QUALITY SYMBOLS ▽=0 ▽=0 ▽=0	GENERAL TOLERANCES (UNLESS SPECIFIED)		DIMENSION STYLE	SCALE	DESIGN UNITS	THIRD ANGLE PROJECTION
				MM/IN	1:2.86	METRIC	
				TITLE	PACKAGING FOR 73415-376		
				DRAWN BY DATE		YCHENG 2015/05/26	
		CHECKED BY DATE		JUDY 2015/05/26			
		APPROVED BY DATE		YCHENG 2015/06/09			
		ANGULAR ± 2°		MATERIAL NO.		DOCUMENT NO.	
		DRAFT WHERE APPLICABLE MUST REMAIN WITHIN DIMENSIONS		SEE SHEET1		SD-73415-376PKG	
				SIZE		SHEET NO.	
				C		2 OF 2	
		THIS DRAWING CONTAINS INFORMATION THAT IS PROPRIETARY TO MOLEX INCORPORATED AND SHOULD NOT BE USED WITHOUT WRITTEN PERMISSION					