

PE7/PE8 Series

Combination



Specifications:

Rated Voltage: 250VAC Maximum - 50/60 Hz

Rated Current: 115VAC 250VAC
 3A 3A
 6A 6A

Current Overload: 6X for 8 Seconds

Hi-Pot Test (1 min):

Line to Ground 1500VAC
 Line to Line 1768VDC

Insulation Resistance: $9 \times 10^9 \Omega$ at 100VDC

Ambient Temperature: 40°C Max. at Rated Current

Humidity Range: 0% to 95% R.H.

Termination:

- IEC Receptacle
- Wire Wrap/Solder

Maximum Leakage Current:

| | |
|---------------------|------------------|
| Each Line to Ground | PE7, PE 8 |
| 115VAC, 60Hz: | 0.25mA |
| 250VAC, 50Hz: | 0.40mA |

Voltage Select Card: Installed in 120VAC position unless otherwise specified

Agency Approvals:

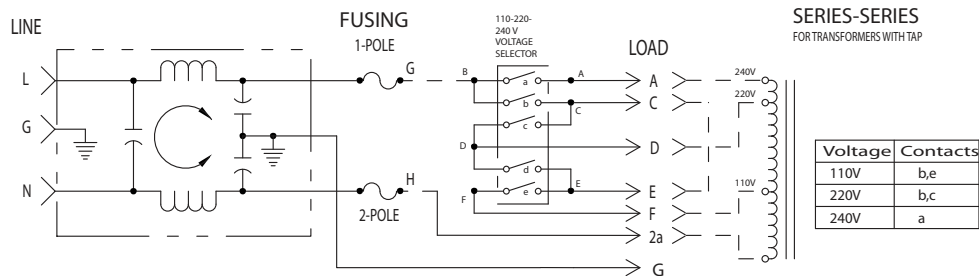


Refer to Page 55 for Ordering Instructions

Features:

- RFI Filter Module Combines IEC Connector, Fusing, and Voltage Select Features in One Unit
- PE7 Series Filters Provide 20% More Differential Mode Attenuation Than Comparable Units
- Accepts Either U.S. or European Standard Fuse Sizes

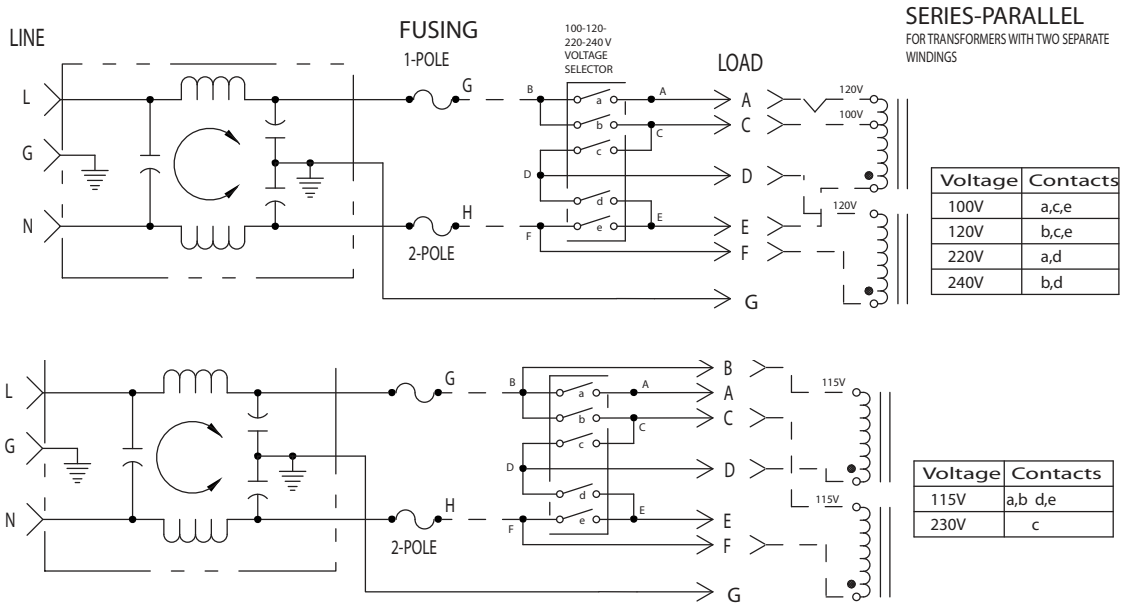
PE7 Series Simplified Schematic



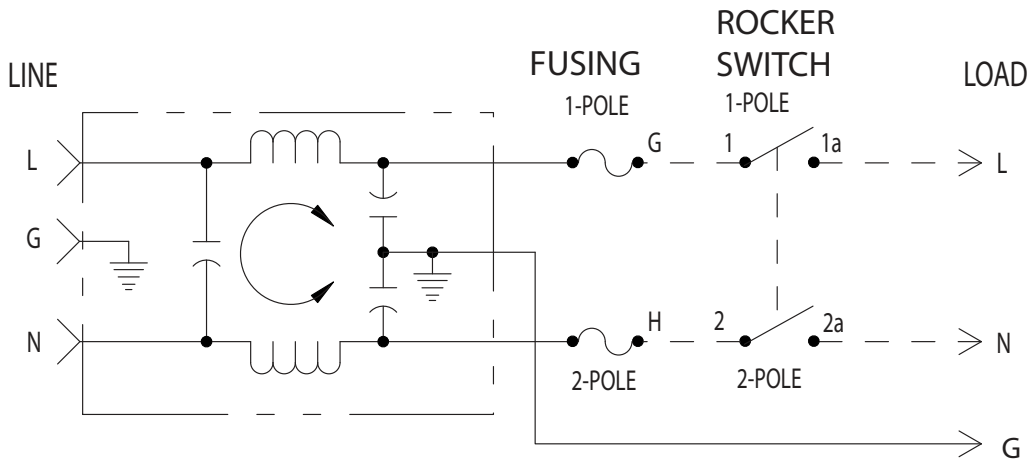
| Nominal Current Rating | Part Number | Termination Line/Load | MINIMUM INSERTION LOSS - dB (50 ohm Circuit) | | | | | | |
|------------------------|----------------------|-----------------------|--|-----------------|-----|-----|-----|----|----|
| | | | MODE | Frequency - MHz | | | | | |
| | | | | .15 | .50 | 1.0 | 5.0 | 10 | 30 |
| 3A | PE7XXX03 PE8XXX03 | IEC/Solder Tabs | Common | 18 | 24 | 30 | 45 | 45 | 50 |
| | | | Differential | 8 | 18 | 24 | 46 | 50 | 40 |
| 6A | PE7XXX06 PE8XXX06 | IEC/Solder Tabs | Common | 10 | 19 | 24 | 39 | 44 | 50 |
| | | | Differential | 8 | 18 | 24 | 39 | 40 | 40 |



PE7 Series Simplified Schematic



PE8 Series Simplified Schematic



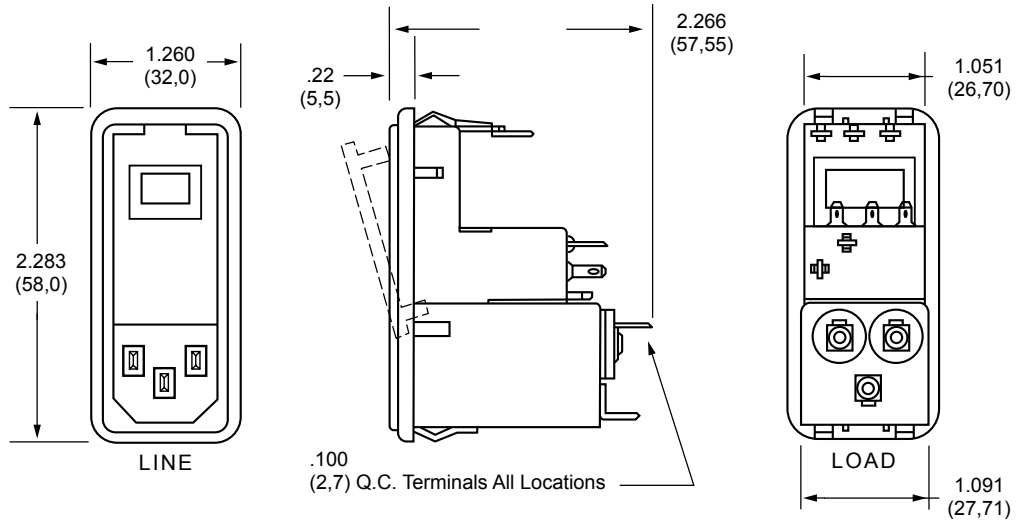
Dimensions are in inches and millimeters unless otherwise specified. Values in parentheses are metric equivalents.



PE7/PE8 Series *(continued)*

PE7/PE8 Snap-Mount Series (3 and 6Amp) Dimensions

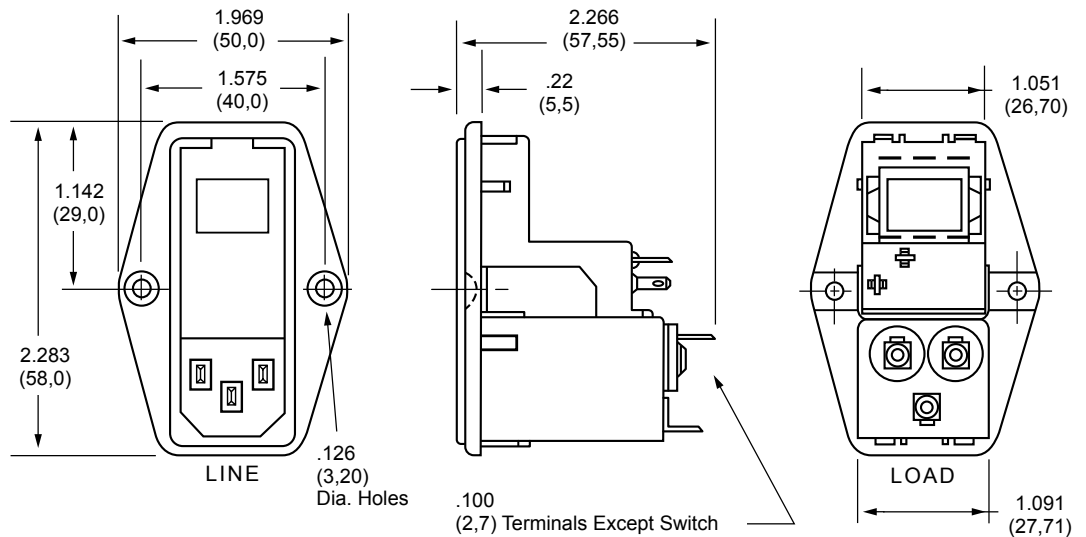
Refer to Page 55
for Standard
Mounting Cutouts



Combination

PE7/PE8 Screw-Mount Series (3 and 6Amp) Dimensions

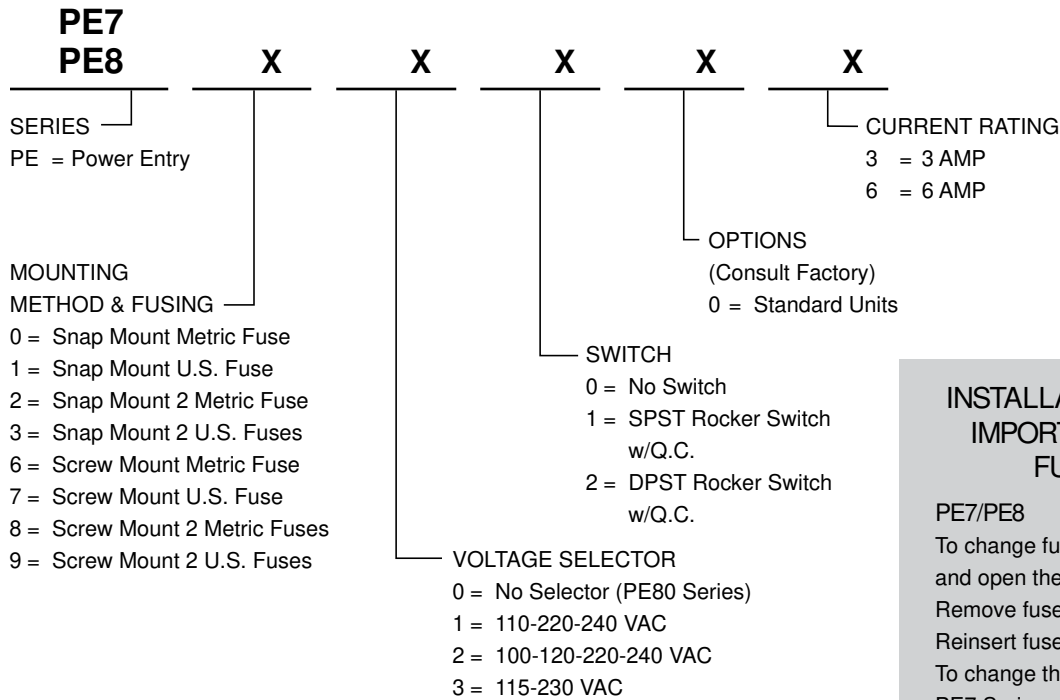
Refer to Page 55
for Standard
Mounting Cutouts



POWER ENTRY MODULES



How to Order



INSTALLATION INSTRUCTION IMPORTANT – CHANGING FUSE/VOLTAGE

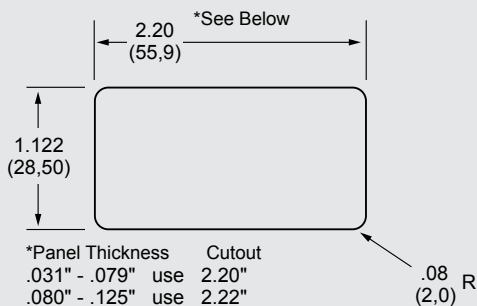
PE7/PE8

To change fuse, remove power cord and open the front cover on the module. Remove fuse holder and replace fuse. Reinsert fuse holder and close cover. To change the operating voltage on the PE7 Series, remove the power cord and open front cover. Rotate voltage select wheel until desired voltage appears in window of cover.

- Filter shipped without fuse.

Always use caution when selecting and changing fuses and voltage requirements. Curtis Industries is not responsible for malfunction due to improper installation/selection of fuse and/or voltage select.

PE7/PE8 Snap-Mount Series



PE7/PE8 Screw Mount Series

