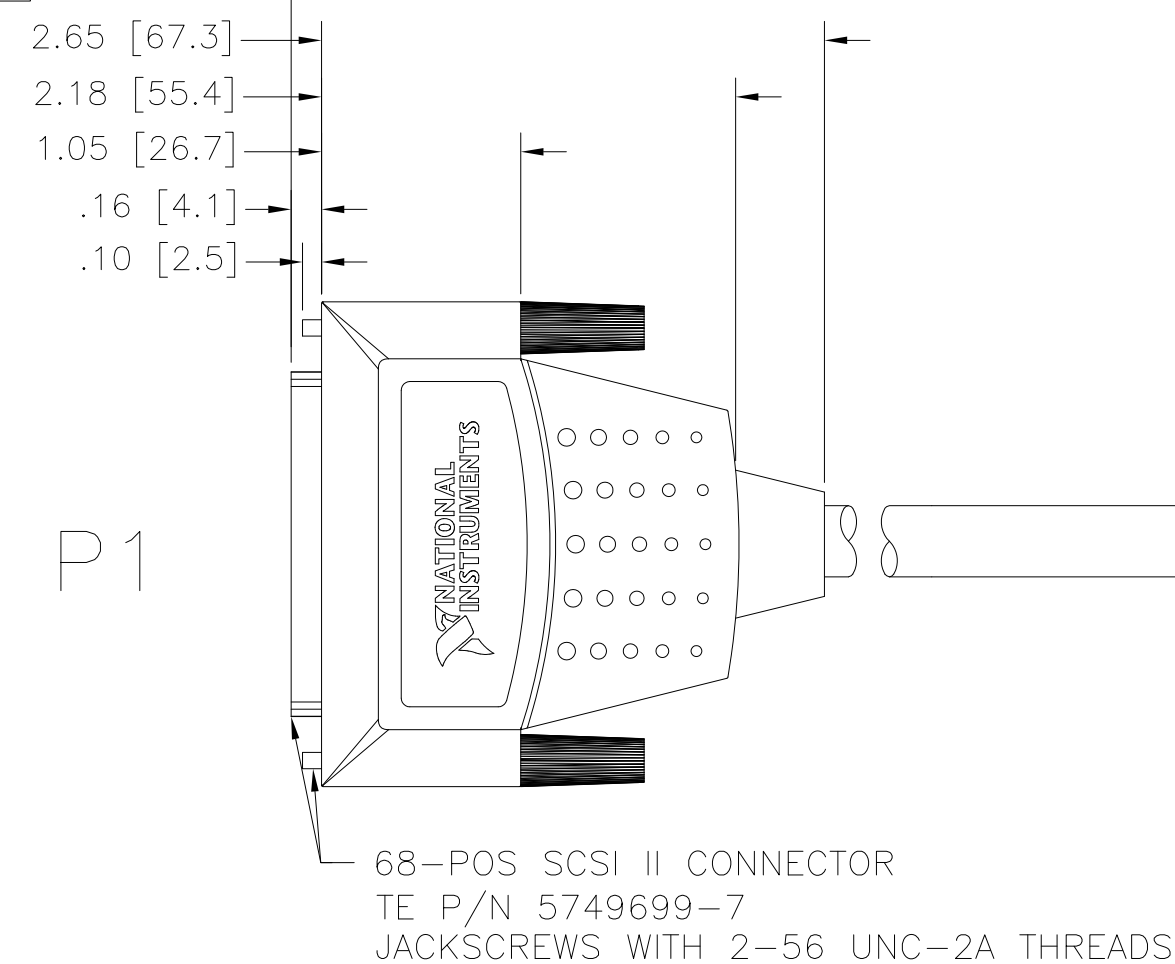
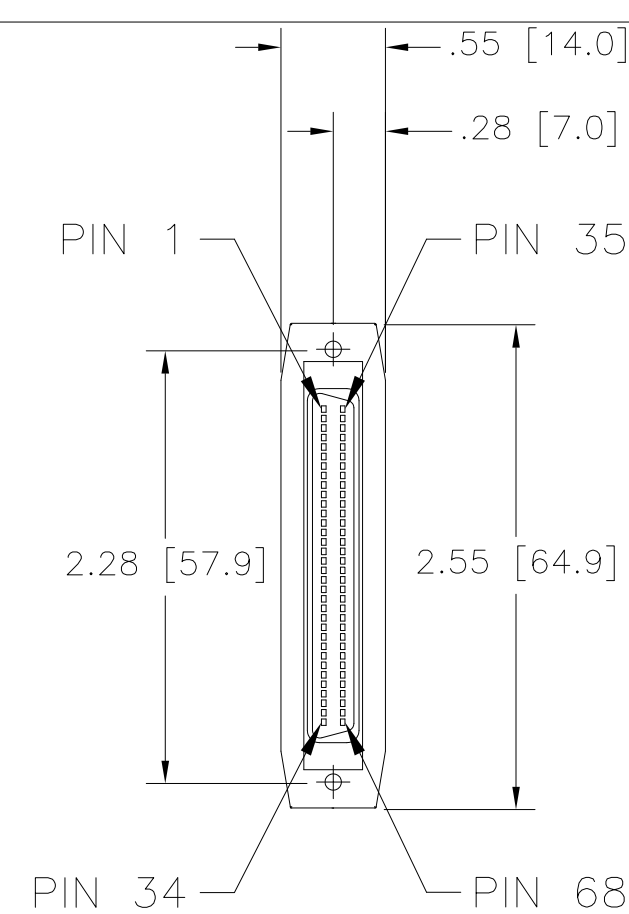


REV	DESCRIPTION	DATE	APPROVED
A	DRAWING COMPATIBLE, OBSOLETE		
B	DRAWING COMPATIBLE, RELEASED		

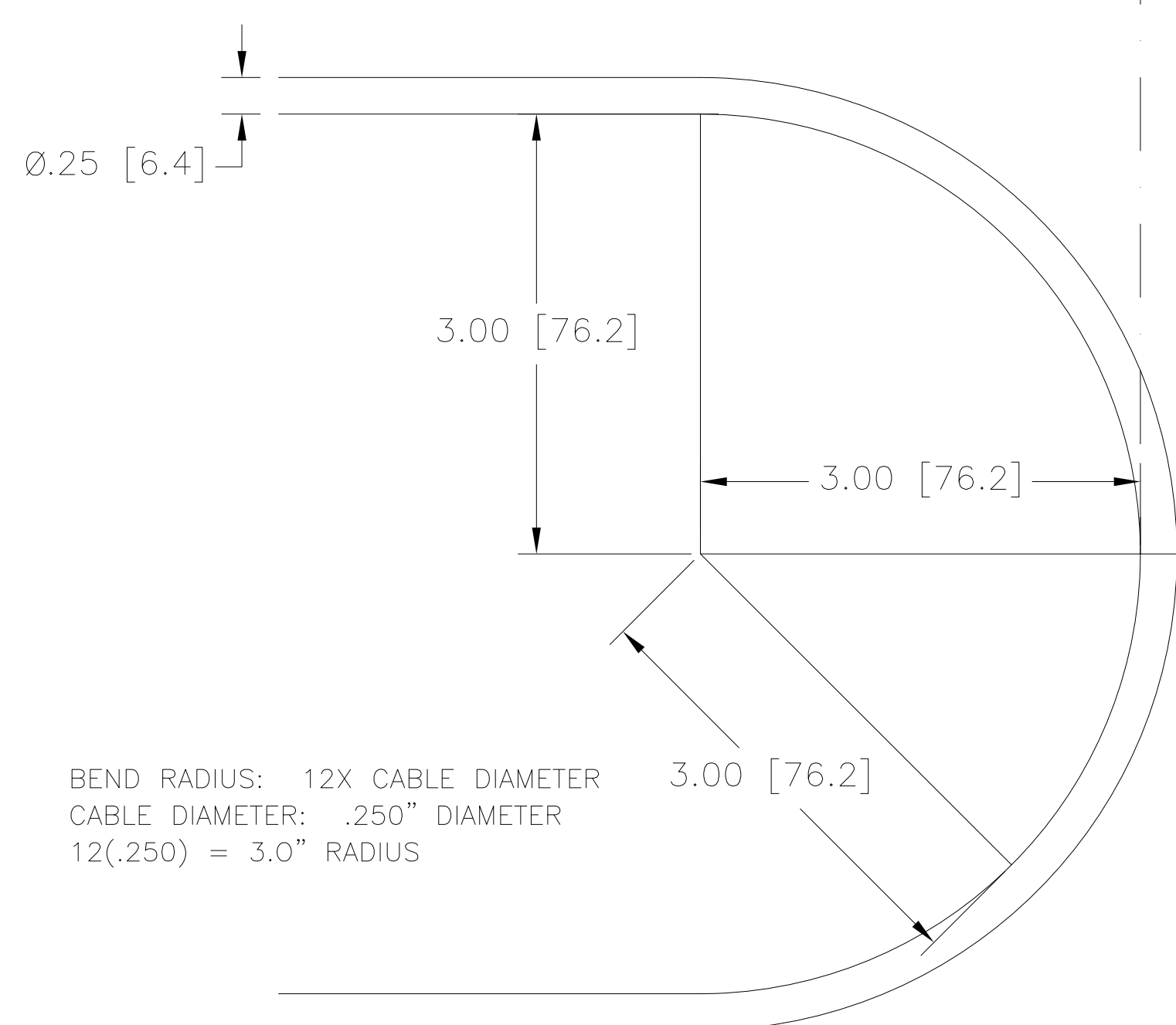
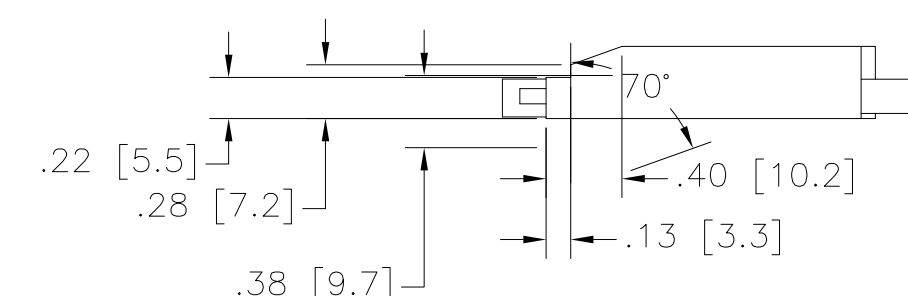
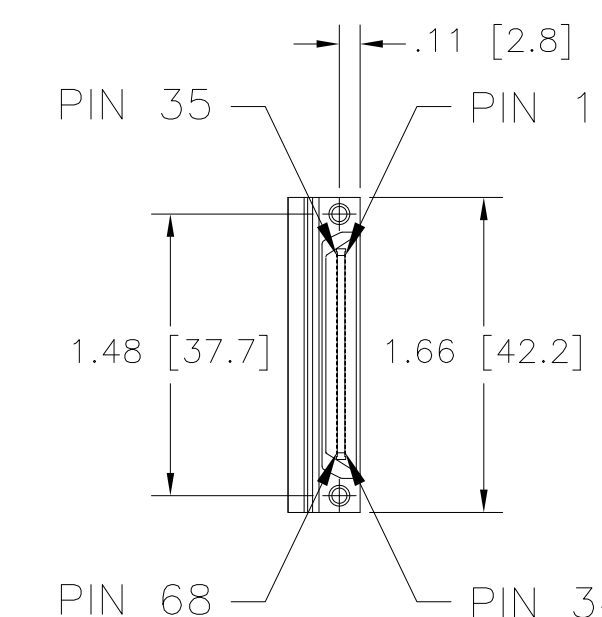


SEE TABLE 1

68-POS VHDCI CONNECTOR,
BIZCONN P/N 690-68219SF00
BACKSHELL DYNAPLUS P/N DA009-1
THUMBSCREWS DYNAPLUS P/N 20132-001

CUSTOM CABLE,
MINOR DIAMETER .285 IN NOMINAL
MAJOR DIAMETER .635 IN NOMINAL

P2



BEND RADIUS EXAMPLE

WIRE LIST				
DIGITAL BUNDLE - 11 TWISTED PAIRS, OUTER SHIELD				
BUNDLE	PAIR NO	COLOR CODE	P1 .050	P2 VHDCI
A	1	WHITE/TAN	1	1
		TAN/WHITE	1	1
2	2	WHITE/BROWN	2	2
		BROWN/WHITE	36	36
3	3	WHITE/PINK	3	3
		PINK/WHITE	36	36
4	4	WHITE/ORANGE	38	38
		ORANGE/WHITE	37	37
5	4	WHITE/YELLOW	4	4
		YELLOW/WHITE	37	37
6	5	WHITE/GREEN	5	5
		GREEN/WHITE	39	39
7	6	WHITE/BLUE	6	6
		BLUE/WHITE	39	39
8	7	WHITE/VIOLET	40	40
		VIOLET/WHITE	41	41
9	7	WHITE/GRAY	7	7
		GRAY/WHITE	41	41
10	8	TAN/BROWN	8	8
		BROWN/TAN	42	42
11	9	TAN/PINK	9	9
		PINK/TAN	42	42
		GROUP OUTER SHIELD	SHELL	SHELL

WIRE LIST (CONT.)				
ANALOG BUNDLE - 2X 16 TWISTED PAIRS				
BUNDLE	PAIR NO	COLOR CODE	P1 .050	P2 VHDCI
B	12	TAN/ORANGE	44	44
		ORANGE/TAN	11	11
	13	TAN/YELLOW	10	10
		YELLOW/TAN	11	11
	14	TAN/GREEN	45	45
		GREEN/TAN	46	46
	15	TAN/BLUE	12	12
		BLUE/TAN	46	46
	16	TAN/VIOLET	47	47
		VIOLET/TAN	14	14
	17	RED/BLUE	13	13
		BLUE/RED	14	14
	18	RED/ORANGE	48	48
		ORANGE/RED	49	49
	19	RED/GREEN	15	15
		GREEN/RED	49	49
	20	RED/BROWN	16	16
		BROWN/RED	50	50
	21	GRAY/RED	17	17
		RED/GRAY	50	50
	22	BLUE/BLACK	51	51
		BLACK/BLUE	50	50
	23	BLACK/ORANGE	52	52
		ORANGE/BLACK	18	18
	24	BLACK/GREEN	53	53
		GREEN/BLACK	20	20
	25	BLACK/BROWN	54	54
		BROWN/BLACK	20	20
	26	BLACK/GRAY	21	21
		GRAY/BLACK	55	55
	27	YELLOW/BLUE	22	22
BLUE/YELLOW		55	55	
28	TAN/ORANGE	57	57	
	ORANGE/TAN	24	24	
29	TAN/YELLOW	23	23	
	YELLOW/TAN	24	24	
30	TAN/GREEN	58	58	
	GREEN/TAN	59	59	
31	TAN/BLUE	25	25	
	BLUE/TAN	59	59	

WIRE LIST (CONT.)				
ANALOG BUNDLE - 2X 16 TWISTED PAIRS				
BUNDLE	PAIR NO	COLOR CODE	P1 .050	P2 VHDCI
32	32	TAN/VIOLET	60	60
		VIOLET/TAN	27	27
33	33	RED/BLUE	26	26
		BLUE/RED	27	27
34	34	RED/ORANGE	61	61
		ORANGE/RED	62	62
35	35	RED/GREEN	28	28
		GREEN/RED	62	62
36	36	RED/BROWN	63	63
		BROWN/RED	30	30
37	37	RED/GRAY	29	29
		GRAY/RED	30	30
38	38	BLACK/BLUE	64	64
		BLUE/BLACK	65	65
39	39	BLACK/ORANGE	31	31
		ORANGE/BLACK	65	65
40	40	BLACK/GREEN	66	66
		GREEN/BLACK	33	33
41	41	BLACK/BROWN	32	32
		BROWN/BLACK	33	33
42	42	BLACK/GRAY	67	67
		GRAY/BLACK	68	68
43	43	YELLOW/BLUE	34	34
		BLUE/YELLOW	68	68
	OUTER SHIELD		SHELL	SHELL

LENGTH	TOLERANCE
<2M	+5 CM/-0 CM
2 TO 5M	+10 CM/-0 CM
>5M	+15 CM/-0 CM

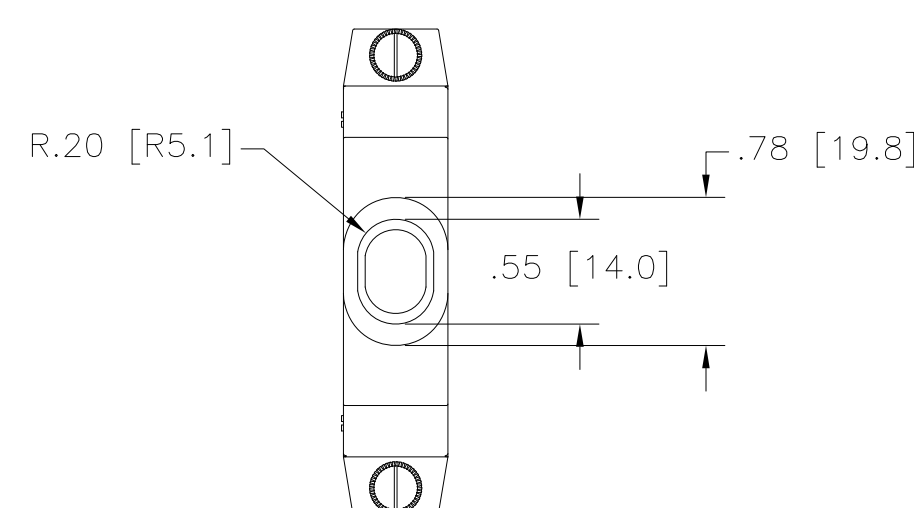
CUSTOMER DRAWING

CONDUCTOR SPECIFICATIONS:

CONDUCTOR: 30AWG 7/38 TIN PLATED COPPER, .012 INCH DIAMETER
INSULATION: .0075 INCHES OF POLYPROPYLENE, .027 INCH DIAMETER
BEND RADIUS: 12X CABLE DIAMETER (SEE EXAMPLE) PER SPECIFICATIONS
2014 NEC SECTION 300.34 CONDUCTOR BEND RADIUS
2014 NEC SECTION 300.24 BENDING RADIUS

1. REFER TO PRODUCT MANUAL ON NI.COM FOR MORE DETAILS.

NOTES: UNLESS OTHERWISE SPECIFIED.



UNLESS OTHERWISE SPECIFIED DIMENSIONS ARE IN INCHES AND [MILLIMETERS]

NATIONAL INSTRUMENTS AUSTIN, TEXAS

DO NOT SCALE DRAWING
THIRD ANGLE PROJECTION

TITLE: SHC68-68-A2

SIZE: D 7U296
CODE IDENT NO.:
DRAWING NO.: 11/17/16

SCALE: 1/1 SHEET 1 OF 1