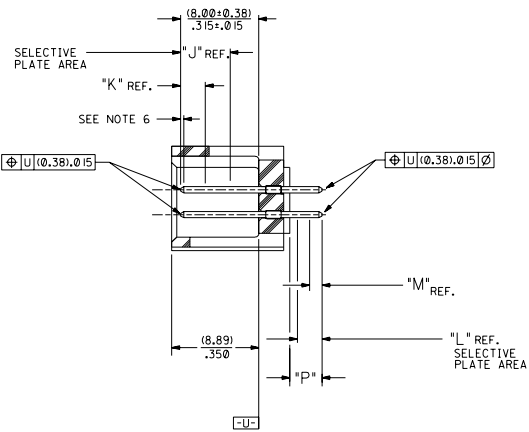
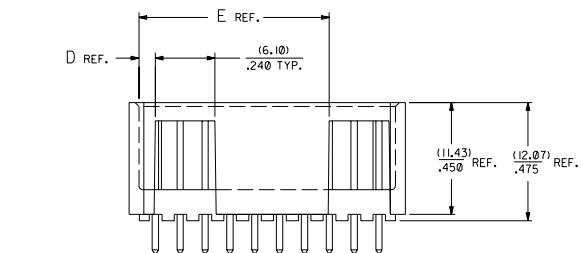
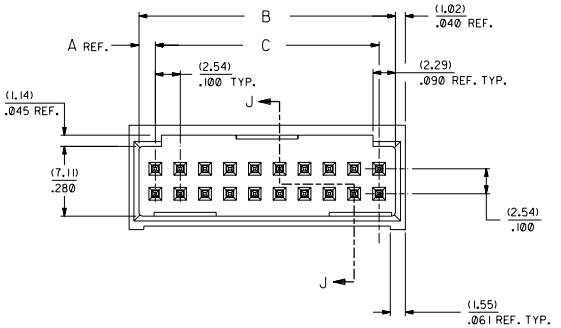
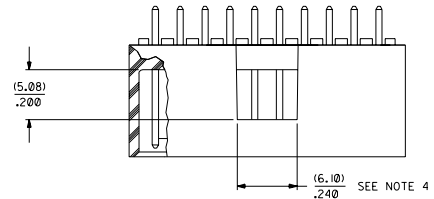


RECOMMENDED P.C. BOARD HOLE LAYOUT



SECTION J-J

**NOTES:**

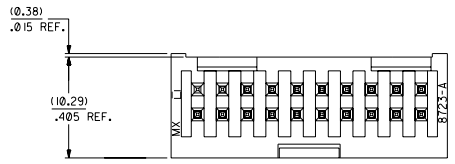
- 1- 20 CIRCUIT SIZE SHOWN FOR ILLUSTRATION PURPOSES.
- 2- PIN PUSHOUT FORCE: (17.79 N) ¼ LBS.
- 3- PINS MUST MEET SOLDERABILITY SPEC. MIL-STD-202 METHOD 208B.
- 4- WINDOW NOT AVAILABLE ON 6 AND 8 CIRCUIT SIZE.
- 5- FOR CHARTED DIMENSIONS AND ASSEMBLY NO.S NOT SHOWN ON THIS SHEET - SEE SHEET 2.
- 6- ROW TO ROW PIN HEIGHT VARIATION MUST NOT EXCEED (0.13) / (.005 IN).
- 7- PRODUCT CONFORMS TO PS-8723.

CKT.	DIM. "A"		DIM. "B"		DIM. "C"	8723		DIM. "D"	DIM. "E"						
	DIM. "A"	DIM. "B"	DIM. "C"	DIM. "D"		DIM. "C"	DIM. "D"								
06	(1.68) / (.066)	(8.43) / (.332)	(5.08) / (.200)	(1.68) / (.066)											
08	(1.68) / (.066)	(10.97) / (.432)	(7.62) / (.300)	(1.68) / (.066)											
10	(1.68) / (.066)	(13.51) / (.532)	(10.16) / (.400)	(4.22) / (.166)											
12	(1.68) / (.066)	(16.05) / (.632)	(12.70) / (.500)	(4.22) / (.166)											
14	(1.68) / (.066)	(18.59) / (.732)	(15.24) / (.600)	(16.76) / (.266)											
16	(1.68) / (.066)	(21.13) / (.832)	(17.78) / (.700)	(16.76) / (.266)											
18	(1.68) / (.066)	(23.67) / (.932)	(20.32) / (.800)	(9.30) / (.366)											
20	(1.68) / (.066)	(26.21) / (1.032)	(22.86) / (.900)	(1.68) / (.066)	(19.46) / (.766)										
22	(1.68) / (.066)	(28.75) / (1.132)	(25.40) / (1.000)	(1.68) / (.066)	(22.00) / (.866)										
24	(1.68) / (.066)	(31.29) / (1.232)	(27.94) / (1.100)	(1.68) / (.066)	(24.54) / (.966)										
26	(1.68) / (.066)	(33.83) / (1.332)	(30.48) / (1.200)	(1.68) / (.066)	(27.08) / (1.066)										
28	(1.68) / (.066)	(36.37) / (1.432)	(33.02) / (1.300)	(1.68) / (.066)	(29.62) / (1.166)										
30	(1.68) / (.066)	(38.91) / (1.532)	(35.56) / (1.400)	(1.68) / (.066)	(32.16) / (1.266)										
32	(1.68) / (.066)	(41.45) / (1.632)	(38.10) / (1.500)	(1.68) / (.066)	(34.70) / (1.366)										
34	(1.68) / (.066)	(43.99) / (1.732)	(40.64) / (1.600)	(1.68) / (.066)	(37.24) / (1.466)										
36	(1.68) / (.066)	(46.53) / (1.832)	(43.18) / (1.700)	(1.68) / (.066)	(39.78) / (1.566)										
38	(1.68) / (.066)	(49.07) / (1.932)	(45.72) / (1.800)	(1.68) / (.066)	(42.32) / (1.666)										
40	(1.68) / (.066)	(51.61) / (2.032)	(48.26) / (1.900)	(1.68) / (.066)	(44.86) / (1.766)										
42	(1.68) / (.066)	(54.15) / (2.132)	(50.80) / (2.000)	(1.68) / (.066)	(47.40) / (1.866)										
44	(1.68) / (.066)	(56.69) / (2.232)	(53.34) / (2.100)	(1.68) / (.066)	(49.94) / (1.966)										
46	(1.68) / (.066)	(59.23) / (2.332)	(55.88) / (2.200)	(1.68) / (.066)	(52.48) / (2.066)										
48	(1.68) / (.066)	(61.77) / (2.432)	(58.42) / (2.300)	(1.68) / (.066)	(55.02) / (2.166)										
50	(1.68) / (.066)	(64.31) / (2.532)	(60.96) / (2.400)	(1.68) / (.066)	(57.56) / (2.266)										
52	(1.68) / (.066)	(66.85) / (2.632)	(63.50) / (2.500)	(1.68) / (.066)	(60.10) / (2.366)										
54	(1.68) / (.066)	(69.39) / (2.732)	(66.04) / (2.600)	(1.68) / (.066)	(62.64) / (2.466)										
56	(1.68) / (.066)	(71.93) / (2.832)	(68.58) / (2.700)	(1.68) / (.066)	(65.18) / (2.566)										
58	(1.68) / (.066)	(74.47) / (2.932)	(71.12) / (2.800)	(1.68) / (.066)	(67.72) / (2.666)										
60	(1.68) / (.066)	(77.01) / (3.032)	(73.66) / (2.900)	(1.68) / (.066)	(70.26) / (2.766)										
62	(1.68) / (.066)	(79.55) / (3.132)	(76.20) / (3.000)	(1.68) / (.066)	(72.80) / (2.866)										
64	(1.68) / (.066)	(82.09) / (3.232)	(78.74) / (3.100)	(1.68) / (.066)	(75.34) / (2.966)										
66	(1.68) / (.066)	(84.63) / (3.332)	(81.28) / (3.200)	(1.68) / (.066)	(77.88) / (3.066)										
68	(1.68) / (.066)	(87.17) / (3.432)	(83.82) / (3.300)	(1.68) / (.066)	(80.42) / (3.166)										
70	(1.68) / (.066)	(89.71) / (3.532)	(86.36) / (3.400)	(1.68) / (.066)	(82.96) / (3.266)										
72	(1.68) / (.066)	(92.25) / (3.632)	(88.90) / (3.500)	(1.68) / (.066)	(85.50) / (3.366)										

**MATERIAL:**

SHROUDED WAFER: GLASS FILLED POLYESTER, 94V-0; COLOR: BLACK.  
PINS: PHOSPHOR BRONZE, SEE SHEET 2 FOR FINISHES.

**ASSEMBLY STYLE "A" AND "B"**



- U ADD -3803 OPT DC#2804-2268 DMORGAN 04/05/20
- T LEAD FREE US#2004-1770 RW WHITE 04/04/26
- S ADD -3802 OPTION ECU #10P2804-052 DMORGAN 04/01/2
- R2 TAB DIF DIM 6 CIR ECU #10T 0999-0145 DMORGAN 58/09/01

- R1 ADD WDG LATCH NOTE ECU #10T 0998-0399 DMORGAN 58/06/23
- R ADDED SHEET 7 PER ECR NO US#2008 03-23-96
- O REMOVE FDP NO.S PER ECR NO US#2025 05-04-94

REV	DATE	DESCRIPTION
7	U	CHGD WINDOW NOTES
6	T	PER ECR NO US#3176 05-04-93
5	R2	O CHANGED MATERIAL
4	T	PER ECR NO US#146 01-22-93
3	R2	N REVISED & REDRAWN
2	T	PER ECR NO US#873 05-29-92
1	U	LTR REVISIONS

DIMENSIONS SHOWN METRIC INCH  
 UNLESS OTHERWISE SPECIFIED  
 1 INCH = 25.4 MILLIMETERS  
 DIM. METRIC DIM. INCH  
 1 P.L.K. ± .005 ± .013  
 2 P.L.K. ± .01 ± .013  
 1 P.L.K. --- ± .025  
 DIMENSIONS APPLICABLE MUST BEADY WITH DIMENSIONS

MFG. SH. REV. LTR. REVISIONS  
 SALES ASSEMBLY  
 WAFER - STRAIGHT MT. FULLY SHROUDED  
 .1000 GRID - FOR USE W/ .0025 SQ. PINS  
 WITH .066 END WALLS  
 MOLEX INCORPORATED  
 SEE CHART SDA-8723-\*\*\*\*\*  
 FILE NO. 58723A11  
 DATE 1 OF 7 92/07/17

