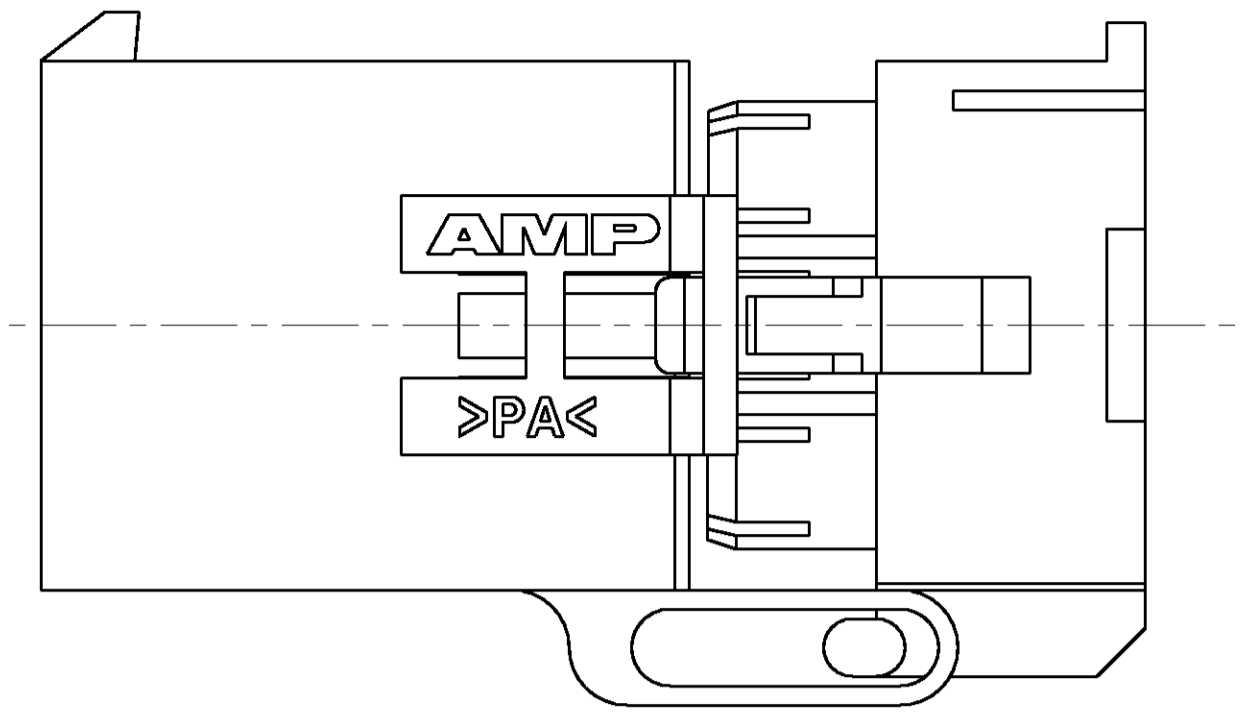
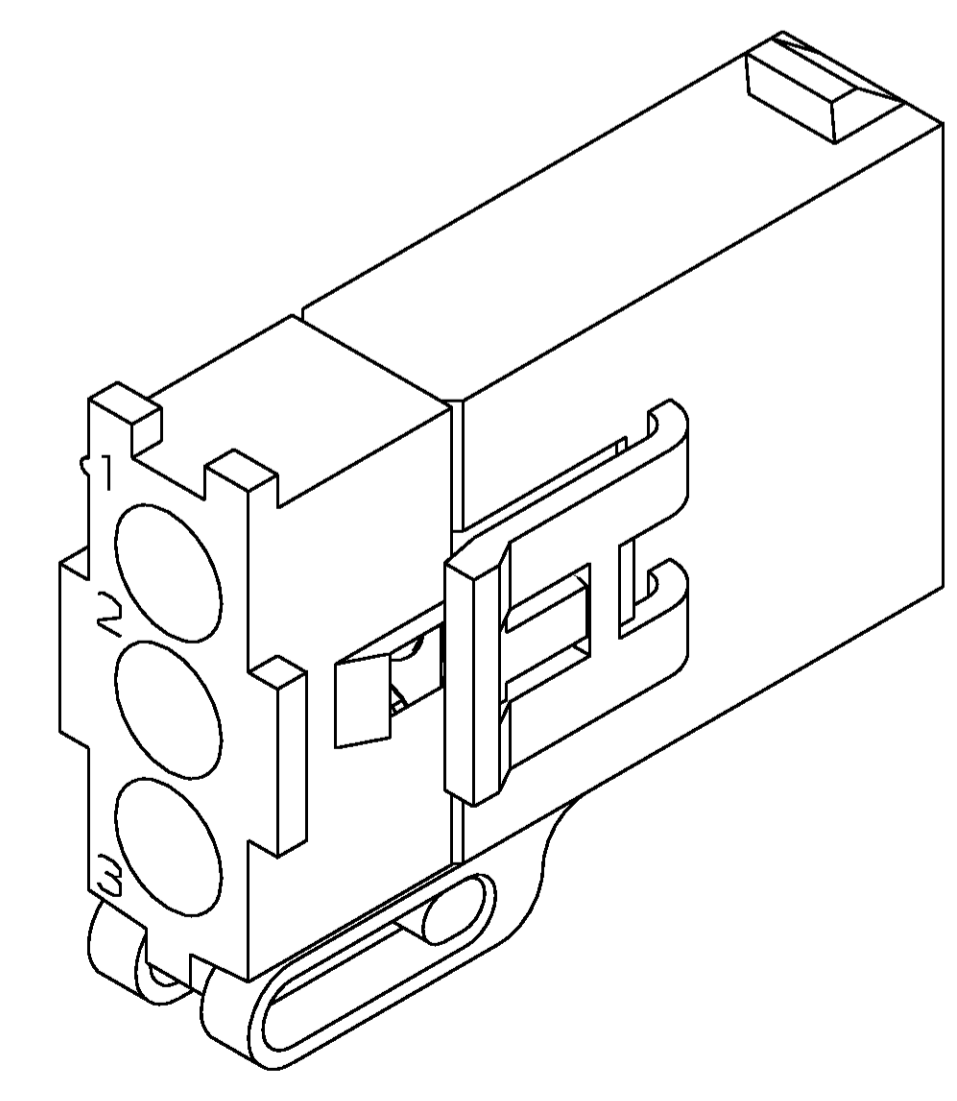
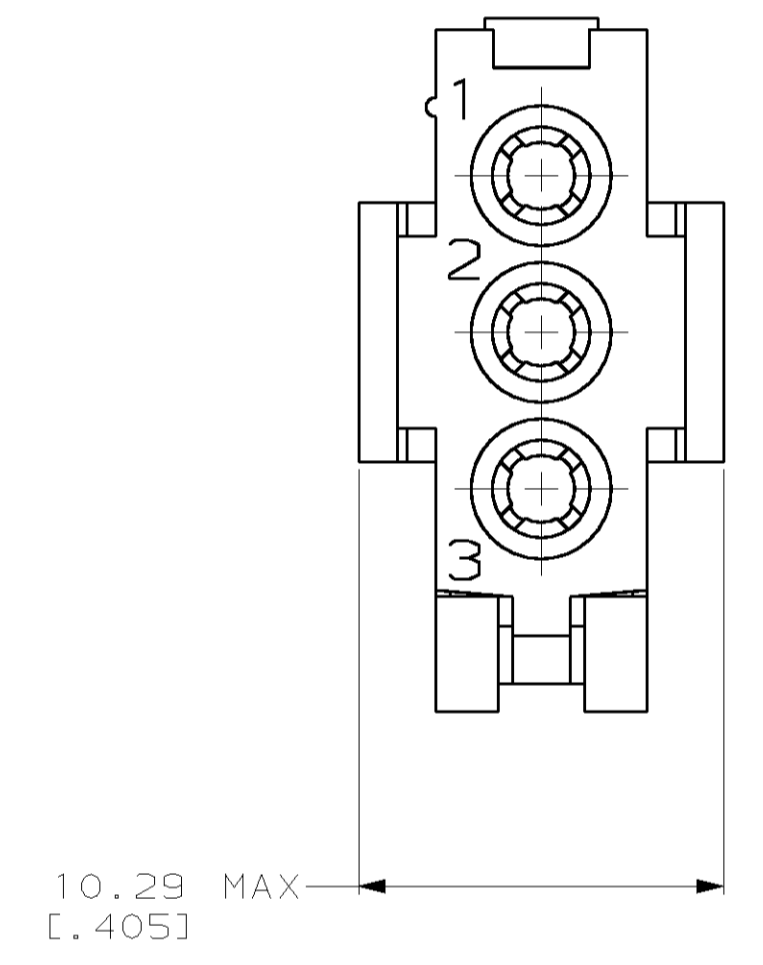
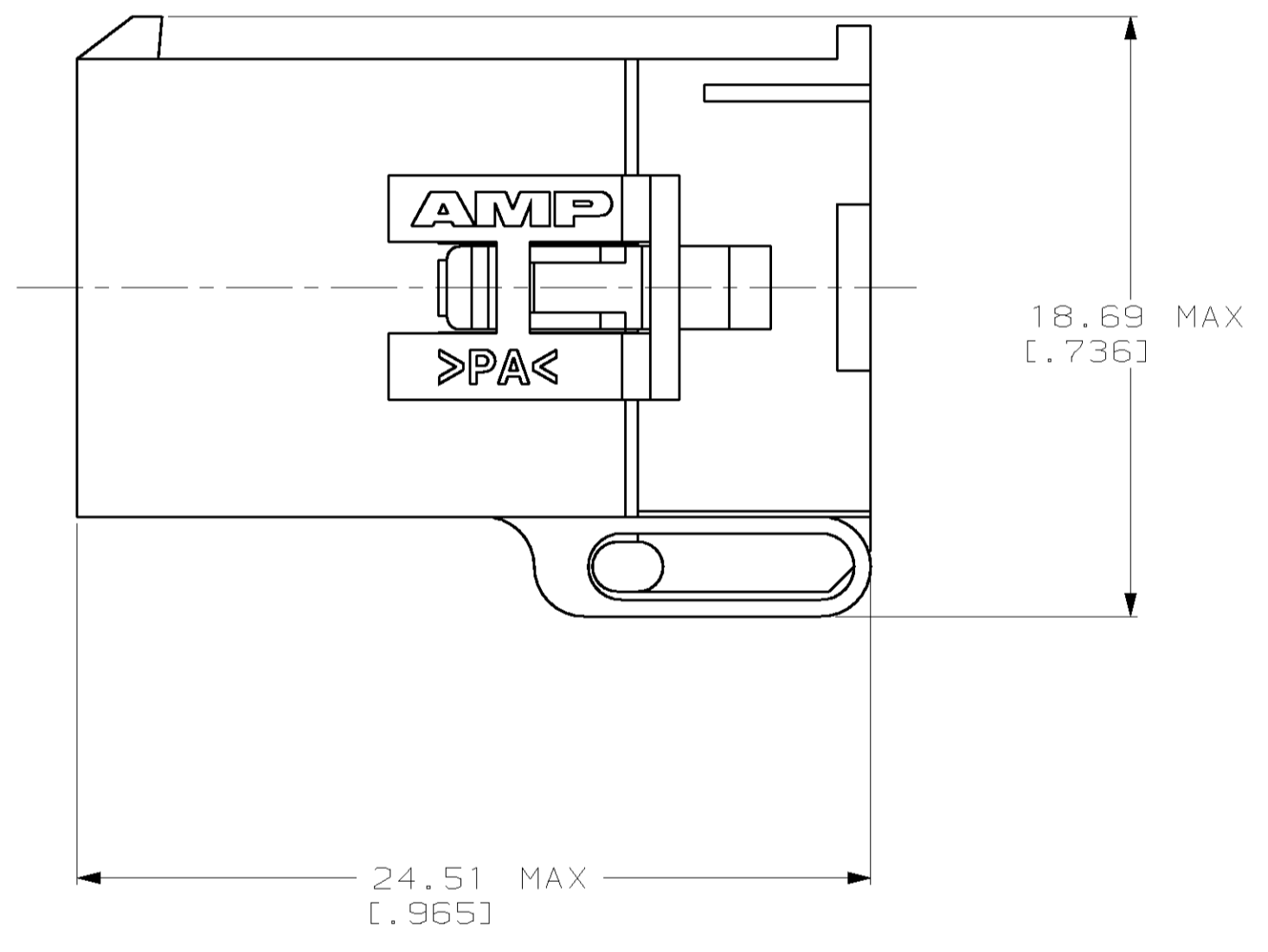
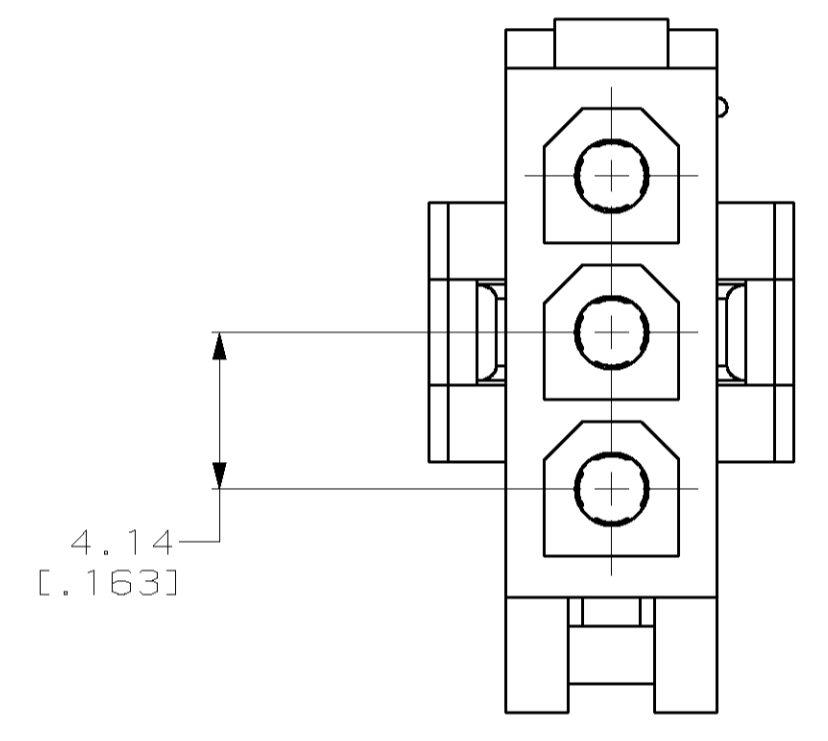


REVISONS		DATE	OWN	APVD
CM	53			
C		06-JUN-03	KW	CJ



PRE-STAGED CONDITION

1. DIMENSIONS IN BRACKETS ARE IN INCHES.



3-DIMENSIONAL MODEL  
NTS

794240-1  
PART NUMBER

**METRIC**

THIS DRAWING IS A CONTROLLED DOCUMENT.		DWN K. WHITAKER 5-09-97	<b>AMP</b> AMP Incorporated Harrisburg, PA 17105-3608
		CHK R. SWING 5-09-97	
		APP'D E. ORSTAD 5-09-97	NAME CAP, 3 CIRCUIT, MINI UNIVERSAL MATE-N-LOK™ 2
DIMENSIONS:		TOLERANCES UNLESS OTHERWISE SPECIFIED:	PRODUCT SPEC
mm	0 PLC ±0.13 (0.005)	1 PLC ±0.13 (0.005)	APPLICATION SPEC
	2 PLC ±0.13 (0.005)	3 PLC ±0.13 (0.005)	RESTRICTED TO
	4 PLC ±0.13 (0.005)	ANGLES ±0°30'	SIZE CAGE CODE DRAWING NO
MATERIAL NYLON, JL 94V-2, NATURAL	FINISH -	WEIGHT -	A1 00779 C-794240
CUSTOMER DRAWING			SCALE 5:1 SHEET 1 OF 1 REV C