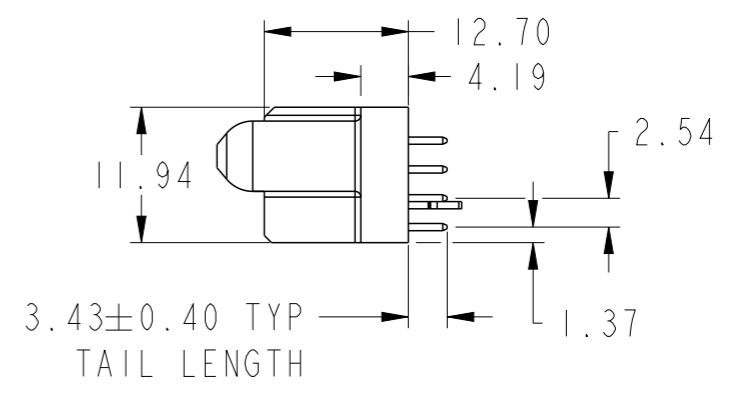
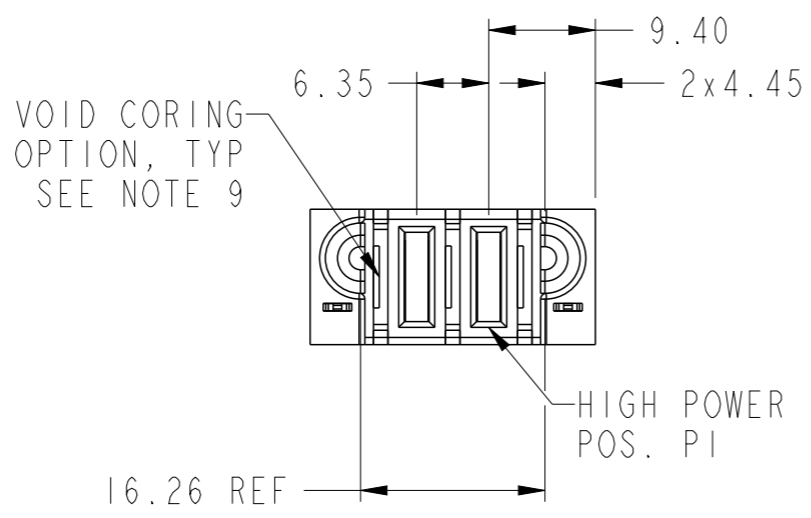
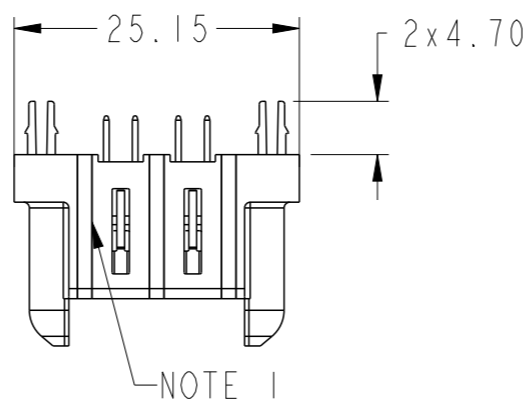
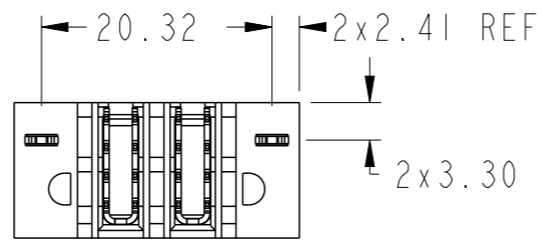


PRODUCT NUMBER SEE SHEET 2

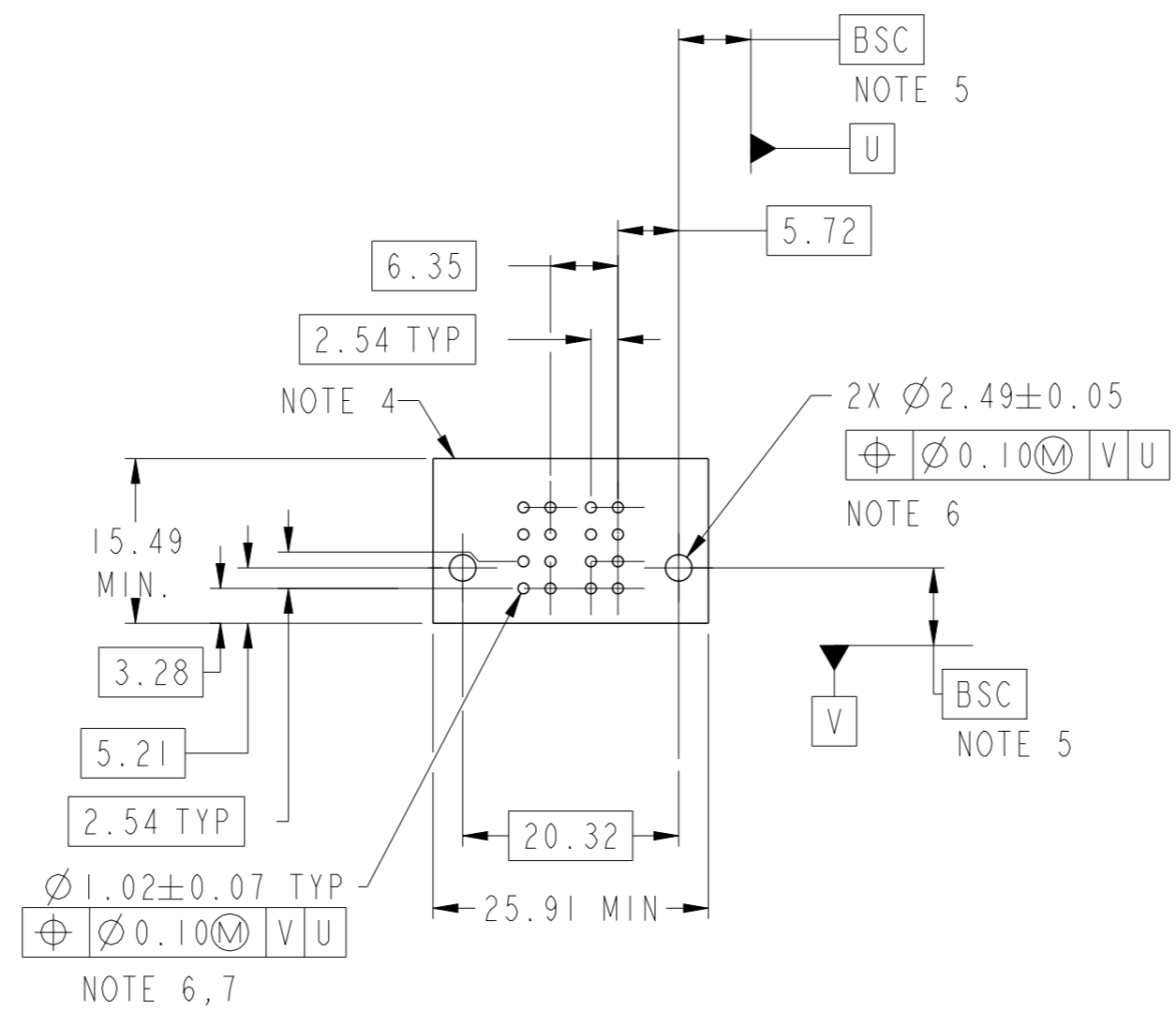


Copyright FCI.

spec ref		dr	Vicking Liu	2015/12/10	projection	MM	size	A3	scale	3:2		
tolerance std ASME Y14.5		eng	Vicking Liu	2016/01/05			ecn no	-				
TOLERANCES UNLESS OTHERWISE SPECIFIED		chr	Fancy Zhang	2016/01/05	product family	PowerBlade+	rel level			Released		
		appr	Pei-Ming Zheng	2016/01/05								
surface	linear	0.X	±0.50	www.fci.com	cat. no.	Product - Customer Drw	title	2HP	dwg no	10106130-2000001	rev	A
		0.XX	±0.25									
ASME Y14.5	angular	0°	±2°	sheet 1 of 3								

PRODUCT NO.	ROWS	HP			
		E1	P2	P1	E2
10106130-2000001LF	DCBA		H3	H3	

CODE	DESCRIPTION
H3	STD HIGH POWER CONTACT (3.43)
HA	METAL HOLD DOWN



Copyright FCI.

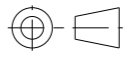
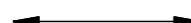

dr	Vicking Liu	2015/12/10	projection	MM	size	A3	scale	3:2			
eng	Vicking Liu	2016/01/05		← →	ecn no	-	rel level	Released			
chr	Fancy Zhang	2016/01/05									
appr	Pei-Ming Zheng	2016/01/05	product family	PowerBlade+							
			title		2HP		dwg no		10106130-2000001	rev	A
www.fci.com			cat. no.		Product - Customer Drw			sheet 2 of 3			

NOTES:

- 1) "FCI", PART NUMBER AND DATE CODE TO BE MARKED ON THIS SURFACE.
THE MARK CAN BE OMITTED IF THERE IS NOT ENOUGH SPACE ON THIS SURFACE.
- 2) MATERIALS:
-HOUSING - GLASS FILLED WITH HIGH TEMP THERMOPLASTIC, UL94V-0.
-SIGNAL CONTACT - COPPER ALLOY.
-POWER CONTACT - HIGH CONDUCTIVITY COPPER ALLOY.
- 3) PLATING SPECIFICATION: 10116351
- 4) DENOTES CONNECTOR KEEP OUT ZONE.
- 5) DATUM AND BASIC DIMENSIONS ARE ESTABLISHED BY CUSTOMER.
- 6) ALL HOLE DIAMETERS ARE FINISHED HOLE SIZES.
- 7) 1.15 ±0.025MM DRILLED HOLE PLATED WITH 0.00762MM MIN Sn
OVER 0.0254-0.0762MM Cu PLATING TO ACHIEVE A 1.02 ±0.07MM HOLE.
- 8) PRODUCT SPECIFICATION: GS-12-658.
APPLICATION SPECIFICATION: GS-20-141.
PRODUCT PACKAGED IN TRAYS: GS-14-1502.
- 9) THE VOID CORING IN BETWEEN POWER MODULES, SIGNAL
MODULES AND END MODULES ARE OPTIONAL AND THE SHAPE
MAY BE DIFFERENT FOR OPTIMIZE THE MOLDING PROCESS. THE
VOID CORING WILL NOT EFFECT TO PRODUCT FUNCTION.



Copyright FCI.

dr	Vicking Liu	2015/12/10	projection 	MM 	size	A3	scale	1:1
eng	Vicking Liu	2016/01/05			ecn no	-		
chr	Fancy Zhang	2016/01/05			rel level	Released		
appr	Pei-Ming Zheng	2016/01/05			product family	PowerBlade+		
		title 2HP VT STB RECEPTACLE	dwg no 10106130-2000001	rev A				
www.fci.com		cat. no.	Product - Customer Drw		sheet 3 of 3			