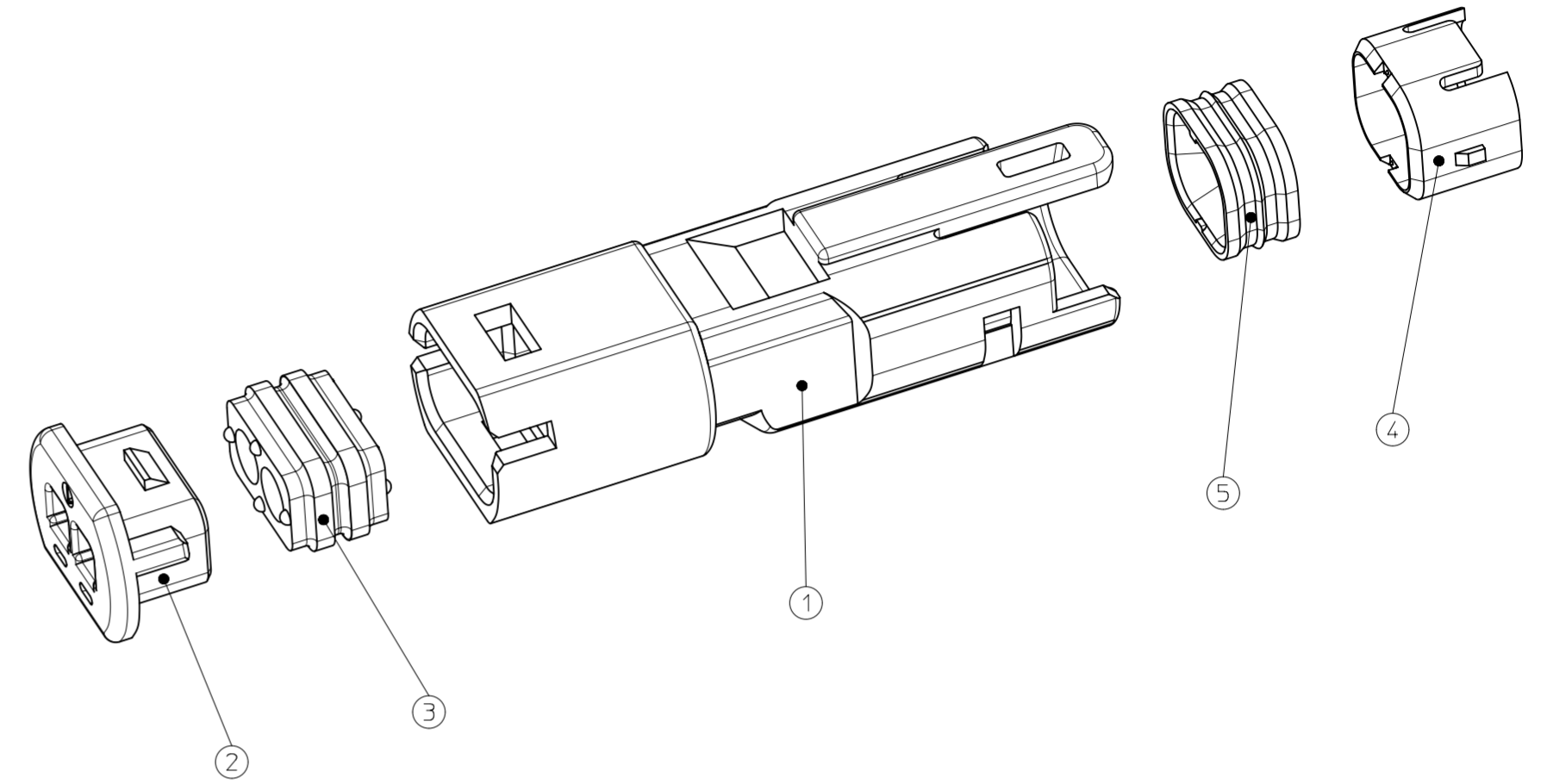


SECTION A-A  
(TERMINAL ASSEMBLY DRAWING)



- NOTES:
1. MATERIAL SEE CHART
  2. GENERAL TOLERANCE PER AS BELOW:  
UNDER 10:  $\pm 0.2$   
OVER 10, UNDER 30:  $\pm 0.25$   
OVER 30:  $\pm 0.3$   
ANGLE:  $\pm 3^\circ$
  3. PRODUCT SPECIFICATION: PS-52213-003
  4. PACKAGING SPECIFICATION: RPK-52266-001
  5. MATES WITH: 52213-021\*
  6. APPLICABLE CRIMP PIN: 50147-8\*00
  7. APPLICATION SPECIFICATION: AS-52266-001

5	SEAL	SILICON	1
4	SEAL STOPPER	PBT GF15%, BLACK	1
3	MATTE SEAL	SILICON	1
2	SEAL COVER	PBT GF15%, BLACK	1
1	PLUG HOUSING	PBT GF15%, BLACK	1
ITEM NO	TITLE	MATERIAL	QTY

THIS DRAWING CONTAINS INFORMATION THAT IS PROPRIETARY TO MOLEX ELECTRONIC TECHNOLOGIES, LLC AND SHOULD NOT BE USED WITHOUT WRITTEN PERMISSION									
DIMENSION UNITS	SCALE	CURRENT REV DESC:							
mm	5:1								
GENERAL TOLERANCES (UNLESS SPECIFIED)					<b>2.5 MINI WATERPROOF CONN. ASS'Y</b>				
ANGULAR TOL	$\pm$								
4 PLACES	$\pm$	EC NO: 174474			<b>PRODUCT CUSTOMER DRAWING</b>				
3 PLACES	$\pm$	DRWN: RHORI 2018/04/04							
2 PLACES	$\pm$	CHK'D: HKOMATSU 2018/04/13			<b>SD-52266-001</b>				
1 PLACE	$\pm$	APPR: TOSADA 2018/04/20							
0 PLACES	$\pm$	INITIAL REVISION:			DOCUMENT NUMBER: <b>SD-52266-001</b> DOC TYPE: PSD DOC PART: 001 REVISION: <b>A1</b>				
		DRWN: YMO01 2012/01/18							
		APPR: MAYAMAMOTO 2012/02/13			MATERIAL NUMBER: 52266-0213 CUSTOMER: GENERAL SHEET NUMBER: 1 OF 1				
DRAFT WHERE APPLICABLE MUST REMAIN WITHIN DIMENSIONS		THIRD ANGLE PROJECTION	DRAWING	SERIES					
			A2-SIZE	52266					

INITIAL REVISION:		
DRWN Y.MO01	2011/10/18	
CHECK TA. ITO	2012/02/01	
APPR MA. YAMAMOTO	2012/02/13	