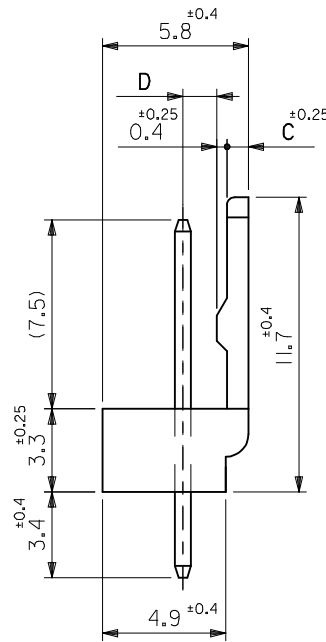
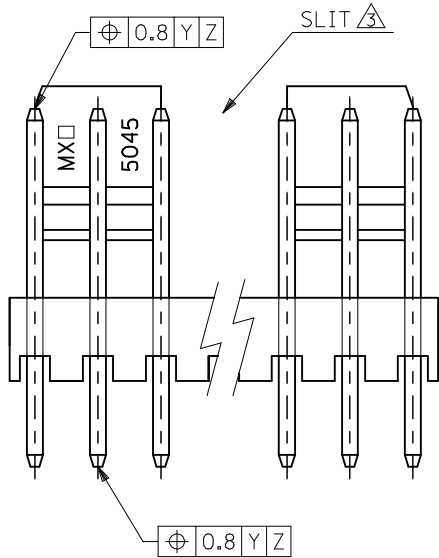


RECOMMENDED P.C. BOARD HOLE DIM.



1.35	0.85	12.5 ±0.1 -0.3	12.5	6
1.2	1	5 ±0.15 -0.3	5	3
D	C	B	A	NO. OF CKTS.

REDRAWN AND REVISED EC NO: J2016-0790 DRWN: QHE31 CHKD: SAKIYAMA APPR: TKANEKO	2016/02/03	2016/02/23	2016/02/24	GENERAL TOLERANCES (UNLESS SPECIFIED)		DIMENSION STYLE MM ONLY		SCALE 5:1	DESIGN UNITS METRIC	THIRD ANGLE PROJECTION
	0.25 UNDER	UNDER	± 0.03	DRAWN BY QHE31	DATE 2016/02/03	TITLE KK2.5 WAFER ASSY WITH LOCK (DYED COLOR)				
	0.25 OVER	0.5 UNDER	± 0.05	CHECKED BY SAKIYAMA	DATE 2016/02/23	DRAWN BY QHE31				
	0.5 OVER	1.0 UNDER	± 0.1	APPROVED BY TKANEKO	DATE 2016/02/24	CHECKED BY SAKIYAMA				
	1.0 OVER	10 UNDER	± 0.2	MATERIAL NO.		SEE NOTES		DOCUMENT NO. SD-5045-002	SHEET NO. 1 OF 2	
10 OVER	30 UNDER	± 0.25	DRAFT WHERE APPLICABLE MUST REMAIN WITHIN DIMENSIONS		SIZE A3		THIS DRAWING CONTAINS INFORMATION THAT IS PROPRIETARY TO MOLEX ELECTRONIC TECHNOLOGIES, LLC AND SHOULD NOT BE USED WITHOUT WRITTEN PERMISSION			
30 OVER		± 0.3								
ANGULAR	±3	°								

NOTES

- I. MATERIAL
 - WAFER : 66NYLON, UL94V-0
 - PIN : \square 0.635 BRASS, TIN OVER COPPER PLATING
 - $\triangle 2$ TO BE APPLIED FOR 6CKT. AND MORE THAN 6CKT.
 - $\triangle 3$ NO SLIT IS PROVIDED FOR 5CKT. AND LESS THAN 5CKT.
- 4. LEGEND

5045-NA-***

DYED COLOR CODE

- BL : BLACK
- BU : BLUE
- GR : GREEN
- RE : RED
- YE : YELLOW

39-32-0064	5045-06A-RE	6
39-32-0034	5045-03A-RE	3
EDP NO.	ENG. NO.	NO. OF CKTS.
5045-NA-RE		

REDRAWN AND REVISED EC NO: J2016-0790 DRWN: QHE31 CHKD: SAKIYAMA APPR: TKANEKO	2016/02/03 2016/02/23 2016/02/24	GENERAL TOLERANCES (UNLESS SPECIFIED)			DIMENSION STYLE		SCALE	DESIGN UNITS	THIRD ANGLE PROJECTION		
		0.25 UNDER UNDER ± 0.03			MM ONLY		5:1	METRIC			
		0.25 OVER 0.5 UNDER ± 0.05			DRAWN BY DATE		TITLE				
		0.5 OVER 1.0 UNDER ± 0.1			QHE31 2016/02/03		KK2.5 WAFER ASSY WITH LOCK (DYED COLOR)				
		1.0 OVER 10 UNDER ± 0.2			CHECKED BY DATE						
		10 OVER 30 UNDER ± 0.25			SAKIYAMA 2016/02/23						
30 OVER ± 0.3			APPROVED BY DATE		MATERIAL NO.		DOCUMENT NO.	SHEET NO.			
ANGULAR $\pm 3^\circ$			TKANEKO 2016/02/24		SEE NOTES		SD-5045-002	2 OF 2			
DRAFT WHERE APPLICABLE MUST REMAIN WITHIN DIMENSIONS				SIZE	THIS DRAWING CONTAINS INFORMATION THAT IS PROPRIETARY TO MOLEX ELECTRONIC TECHNOLOGIES, LLC AND SHOULD NOT BE USED WITHOUT WRITTEN PERMISSION						
O				A3							