

2-1658526-1 ✓ ACTIVE

AMP-LATCH

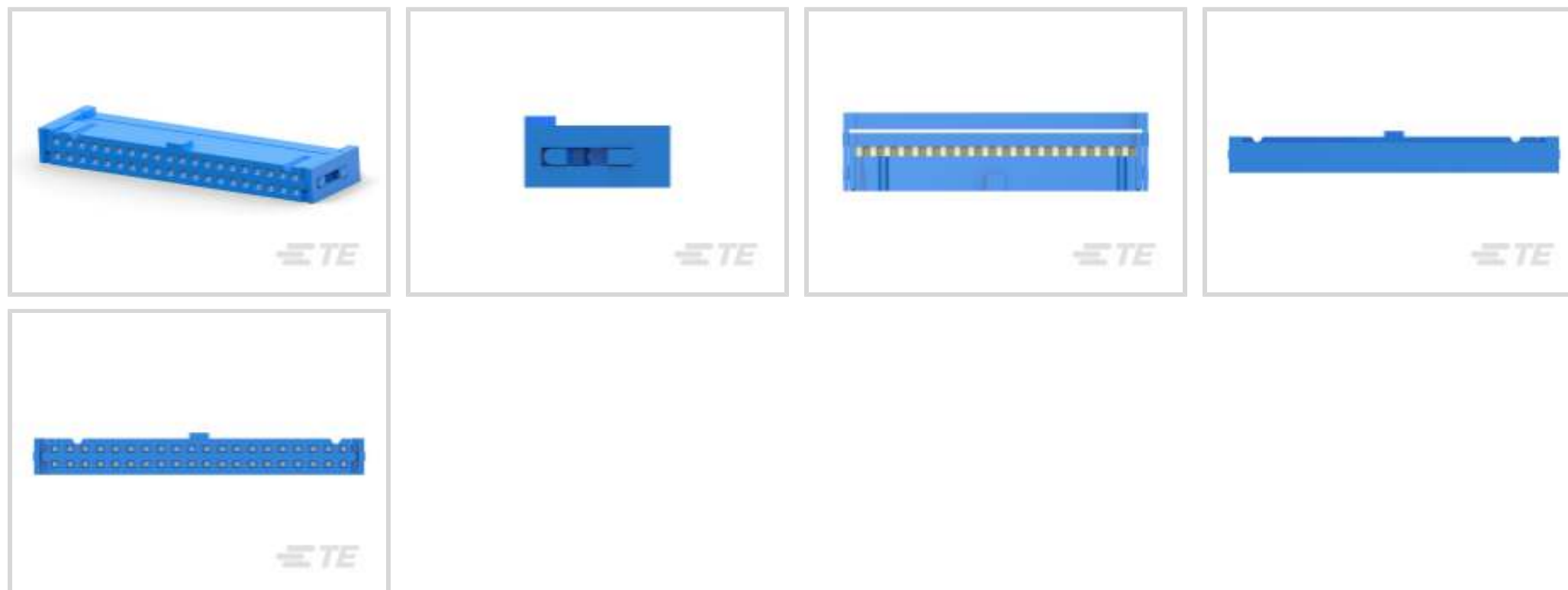
TE Internal #: 2-1658526-1

Ribbon Cable Connectors, Wire-to-Board, 40 Position, 2.54 mm [.1 in] Centerline, 2 Row, Receptacle, Polarization Mating Alignment Type, Wire & Cable

[View on TE.com >](#)



Connectors > PCB Connectors > Wire-to-Board Connectors > FFC, FPC & Ribbon Connectors > Ribbon Cable Connectors



Connector System: **Wire-to-Board**

Number of Positions: **40**

Centerline (Pitch): **2.54 mm [.1 in]**

Row-to-Row Spacing: **2.54 mm [.1 in]**

Number of Rows: **2**

Features

Product Type Features

| | |
|-----------------------------------|--------------------|
| Connector Product Type | Connector Assembly |
| Connector System | Wire-to-Board |
| Connector & Housing Type | Receptacle |
| Connector & Contact Terminates To | Wire & Cable |

Configuration Features

| | |
|---------------------|----|
| Number of Positions | 40 |
| Number of Rows | 2 |

Body Features

| | |
|-----------------------|------|
| Primary Product Color | Blue |
|-----------------------|------|

Contact Features

| | |
|---|---|
| Wire Contact Termination Area Plating Thickness | 2.54 – 5.08 μm [100 – 200 μin] |
| Wire Contact Termination Area Plating Material | Tin |
| | 30 μin |
| Contact Mating Area Plating Material | Gold |



| | |
|------------------------------|-----|
| Contact Current Rating (Max) | 1 A |
|------------------------------|-----|

Termination Features

| | |
|---|-------------------------------|
| Rectangular Termination Post & Tail Thickness | .36 mm[.014 in] |
| Rectangular Termination Post & Tail Width | .46 mm[.018 in] |
| Termination Method to Wire & Cable | Insulation Displacement (IDC) |

Mechanical Attachment

| | |
|-------------------------|----------------------------|
| Mating Alignment Type | Polarization |
| Mating Retention | Without |
| Connector Mounting Type | Cable Mount (Free-Hanging) |

Housing Features

| | |
|--------------------|----------------|
| Centerline (Pitch) | 2.54 mm[.1 in] |
|--------------------|----------------|

Dimensions

| | |
|--------------------|----------------|
| Row-to-Row Spacing | 2.54 mm[.1 in] |
|--------------------|----------------|

Usage Conditions

| | |
|-----------------------------|----------------------------|
| Operating Temperature Range | -55 – 125 °C[-67 – 257 °F] |
|-----------------------------|----------------------------|

Operation/Application

| | |
|---------------------|--------|
| Circuit Application | Signal |
|---------------------|--------|

Product Compliance

[For compliance documentation, visit the product page on TE.com>](#)

| | |
|---|---|
| EU RoHS Directive 2011/65/EU | Compliant |
| EU ELV Directive 2000/53/EC | Compliant |
| China RoHS 2 Directive MIIT Order No 32, 2016 | No Restricted Materials Above Threshold |
| EU REACH Regulation (EC) No. 1907/2006 | Current ECHA Candidate List: JUNE 2023 (235) Candidate List Declared Against: JUNE 2023 (235) Does not contain REACH SVHC |
| Halogen Content | Not Low Halogen - contains Br or Cl > 900 ppm. |
| Solder Process Capability | Not applicable for solder process capability |

Product Compliance Disclaimer

This information is provided based on reasonable inquiry of our suppliers and represents our current actual knowledge based on the information they provided. This information is subject to change. The part numbers that TE has identified as

EU RoHS compliant have a maximum concentration of 0.1% by weight in homogenous materials for lead, hexavalent chromium, mercury, PBB, PBDE, DBP, BBP, DEHP, DIBP, and 0.01% for cadmium, or qualify for an exemption to these limits as defined in the Annexes of Directive 2011/65/EU (RoHS2). Finished electrical and electronic equipment products will be CE marked as required by Directive 2011/65/EU. Components may not be CE marked. Additionally, the part numbers that TE has identified as EU ELV compliant have a maximum concentration of 0.1% by weight in homogenous materials for lead, hexavalent chromium, and mercury, and 0.01% for cadmium, or qualify for an exemption to these limits as defined in the Annexes of Directive 2000/53/EC (ELV). Regarding the REACH Regulation, the information TE provides on SVHC in articles for this part number is based on the latest European Chemicals Agency (ECHA) 'Guidance on requirements for substances in articles' posted at this URL: <https://echa.europa.eu/guidance-documents/guidance-on-reach>

Compatible Parts



TE Part # CAT-AM74-UN384H
AMP-LATCH UNIVERSAL HEADERS



TE Part # 102312-2
UNIVERSAL HEADER LATCH



TE Part # 1-1761607-3
IDC LOW PRO HDR 40P RA LG LAT
BLK



TE Part # 5104338-8
A/L LOW PRO HDR 40P VERT HT
BLK



TE Part # 5103308-8
A/L LOW PRO HDR 40P VERT BLACK



TE Part # 5103310-8
A/L LOW PRO HDR 40P RA BLACK



TE Part # 3-1761606-3
IDC LOW PRO HDR 40P VERT LG LA



TE Part # 1-1761606-3
IDC LOW PRO HDR 40P VERT LG LAT
BLK



TE Part # 5103309-8
A/L LOW PRO HDR 40P VERT BLACK



TE Part # 2-111506-4
040 UNIV I/O 30DP SLOT LTCH



TE Part # 5103311-8
A/L LOW PRO HDR 40P RA BLACK



TE Part # 1-1761681-3
IDC LOW PRO HDR 40P VERT HT
BLACK



TE Part # 2-111446-3
040 UNIV I/O 30DP NO EARS



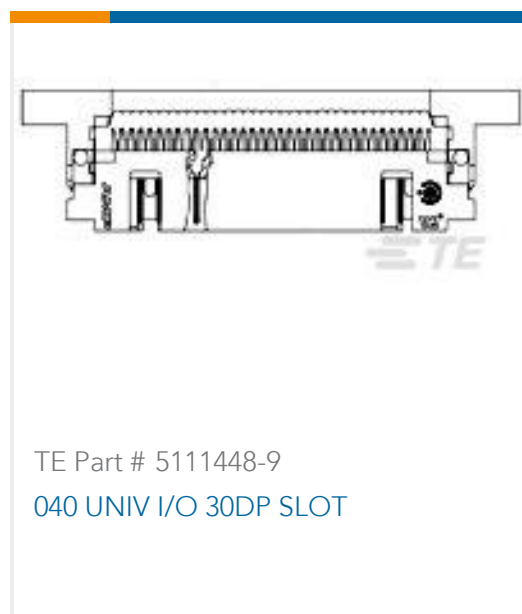
TE Part # 3-1761607-3
IDC LOW PRO HDR 40P RA LG LAT



TE Part # 5104340-8
A/L LOW PRO HDR 40P RA HT



TE Part # 1-1761686-3
IDC LOW PRO HDR 40P VERT LG LAT



Customers Also Bought



Documents

Product Drawings

[609-4041LF FEM SOCKET, LEAD FREE](#)

English

CAD Files

[3D PDF](#)

3D

Customer View Model

[ENG_CVM_CVM_2-1658526-1_C.2d_dxf.zip](#)

English

Customer View Model

[ENG_CVM_CVM_2-1658526-1_C.3d_igs.zip](#)

English

Customer View Model

[ENG_CVM_CVM_2-1658526-1_C.3d_stp.zip](#)

English

By downloading the CAD file I accept and agree to the [Terms and Conditions](#) of use.



Datasheets & Catalog Pages

[Ribbon Cable Interconnect Solutions](#)

English

Product Environmental Compliance

[TE Material Declaration](#)

English

Instruction Sheets

[Instruction Sheet \(U.S.\)](#)

English

Agency Approvals

[Agency Approval Document](#)

English