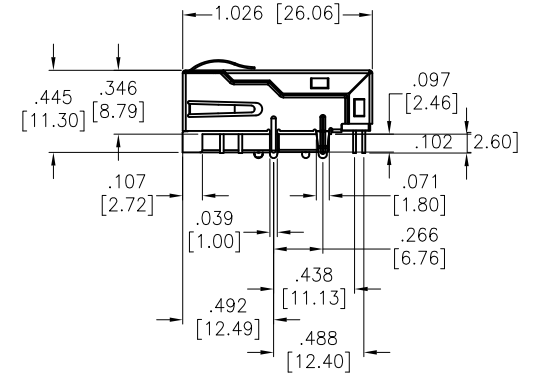
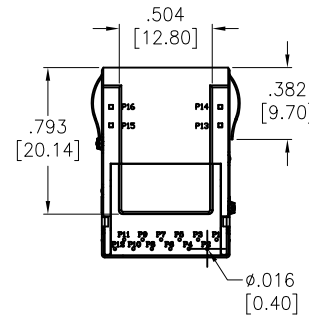
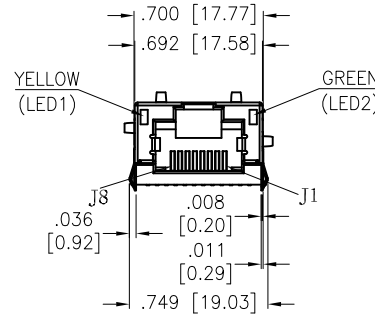
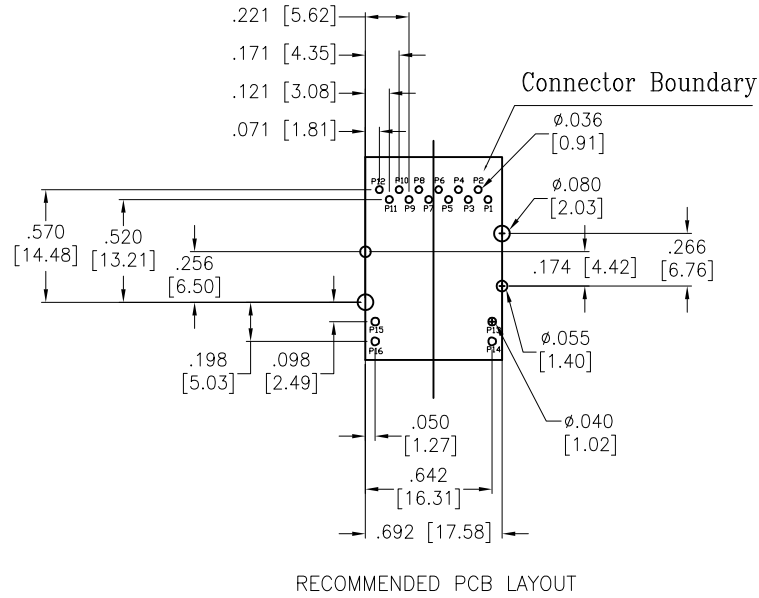


APPROVED: _____
 DATE: _____ TITLE: _____

Rev	AWO #	Description	Date	Appr
-		RELEASED	8/19/19	
A		UPDATE DRAWING	11/9/20	OW/JL



SPECIFICATIONS:

Material:
 Housing: Thermoplastic, rated UL 94V-0, Color: Black
 Contacts: Phosphor Bronze
 Shield: Brass, Nickel plated

Plating:
 Round contact
 Gold over Nickel underplate overall
 Flat contact
 Gold over Nickel underplate on contact area,
 Tin over Nickel underplate on solder tails

Electrical:
 Voltage rating: 150 VAC
 Contact Resistance: 20 mohms max
 Insulation resistance: 500 Mohms min
 Dielectric withstanding voltage: 500 VDC minimum for 1 minute
 Temperature Rating:
 Operating temperature: -40°C to +85°C

Environmental:
 Lead free, RoHS compliant.



UNLESS OTHERWISE SPECIFIED
 ALL DIMENSIONS ARE INCHES [MM]
 TOLERANCES: EXCEPT AS NOTED

INCHES		HOLES	
.X	± .10	Ø.X	± .10
.XX	± .020	Ø.XX	± .015
.XXX	± .015	Ø.XXX	± .010



909 Rahway Avenue,
 Union, NJ 07083
 Phone: 908-687-5000
 Fax: 908-687-5710

APPROVALS		DATE
DRAWN	OW	8/19/19
CHECKED	IW	8/19/19
APPROVED		

TITLE		
MODULAR TELEPHONE JACK, 1 PORT, 8P8C FULL SHIELDED, W/ LED1 YELLOW, LED2 GREEN		
SIZE	PART NO.	REV.
X	MTJ-88BAX1-FS-PG-LG-M236C-WOT	A
REF:	S00005C	SCALE: NTS SHEET 1 OF 2

6 5 4 3 2 1

APPROVED: _____
 DATE: _____ TITLE: _____

Rev	AWO #	Description	Date	Appr
SEE SHT 1 OF 2 FOR REVISION				

Circuit Schematic:

P16
 P15
 P14
 P13

Pin	Green	Yellow
P13	-	-
P14	+	+

Electrical Specifications:

PARAMETER	SPECIFICATIONS		
URNS RATIO	1.00 ± 2%		
POLARITY	PER SCHEMATIC		
INSERTION LOSS	1-50MHz	50-125MHz	125-250MHz
	-0.5 dB MIN	-1.2 dB MIN	-2 dB MIN
RETURN LOSS	1-40 MHz	40-250 MHz	
	-16 dB MIN	-16+10Log10(f/40) 40<f<=250 dB	
COMMON MODE REJECTION RATIO	1-40 MHz	40-100 MHz	100-250 MHz
	-30 dB MIN	-28 dB MIN	-26 dB MIN
	DIFFERENTIAL MODE TO COMMON MODE ATTENUATION		
1-250 MHz			
-30dB MIN			
CROSSTALK ADJACENT CHANNELS	1-100 MHz	100-250 MHz	
	-30dB MIN	-25dB MIN	
INDUCIANCE (OCL)	180uH MIN @100KHZ,0.1V WITH 8mA DC BIAS		
CURRENT CARRYING CAPABILITY,RJ45 PIN 1-8	720mA MAX. @57VDC CONTINUOUS		
INPUT - OUTPUT ISOLATION	500VDC MINIMUM FOR 60 SECONDS		

NOTE: f IS FREQUENCY IN MHZ.

UNLESS OTHERWISE SPECIFIED ALL DIMENSIONS ARE INCHES [MM] TOLERANCES: EXCEPT AS NOTED INCHES HOLES .X ± .10 Ø.X ± .10 .XX ± .020 Ø.XX ± .015 .XXX ± .015 Ø.XXX ± .010		ADAM TECH 909 Rahway Avenue, Union, NJ 07083 Phone: 908-687-5000 Fax: 908-687-5710	
APPROVALS		DATE	
DRAWN	OW	8/19/19	
CHECKED	IW	8/19/19	
APPROVED			
SIZE	PART NO.	REF:	SCALE: NTS
X	MTJ-88BAX1-FS-PG-LG-M236C-WOT	S00005C	SHEET 2 OF 2
REV.	A		

6 5 4 3 2 1