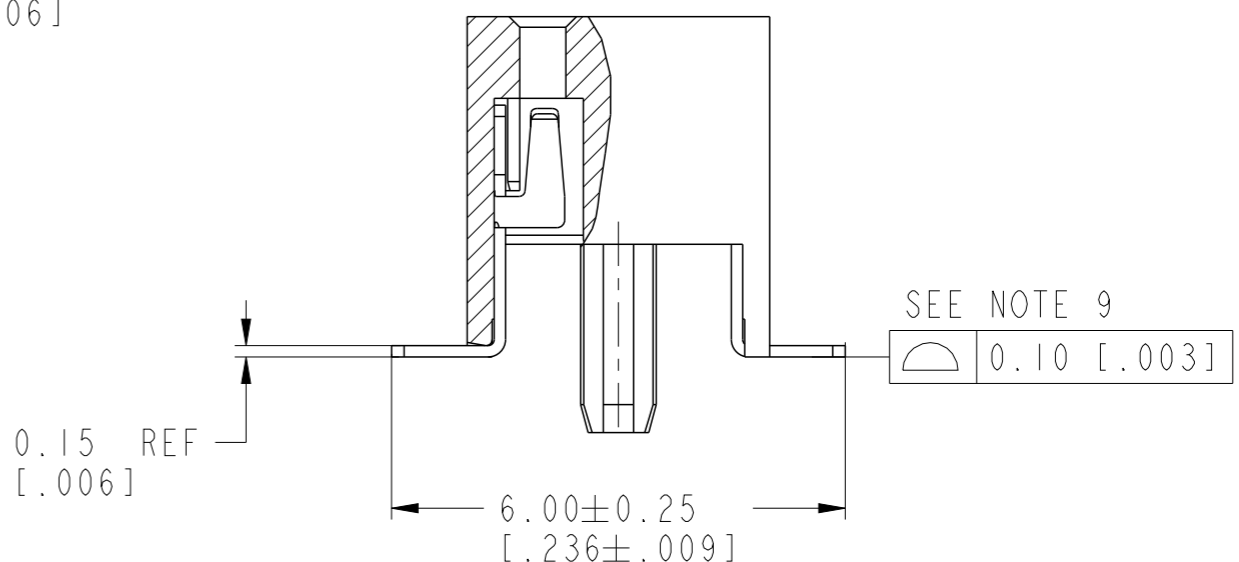
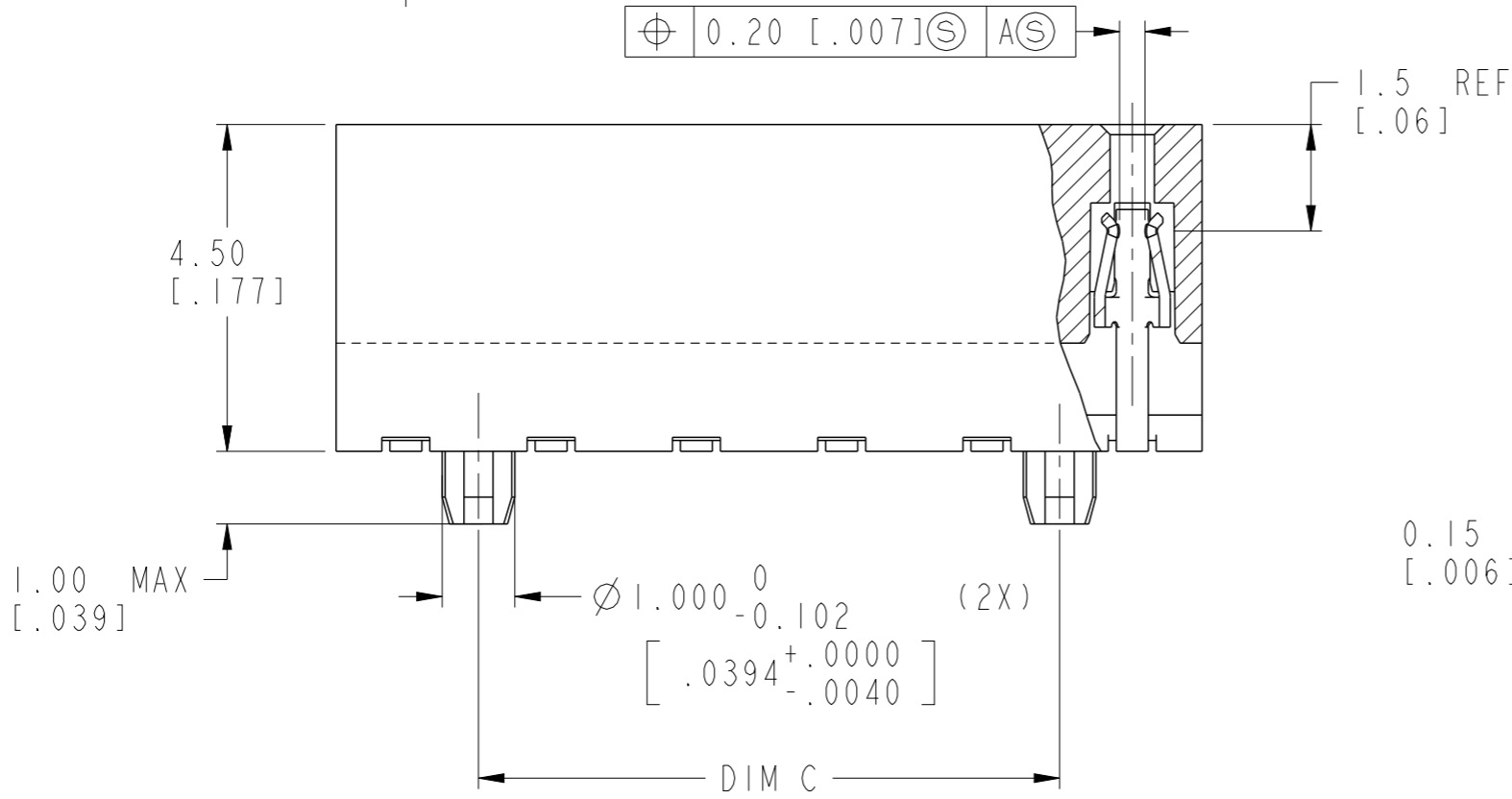
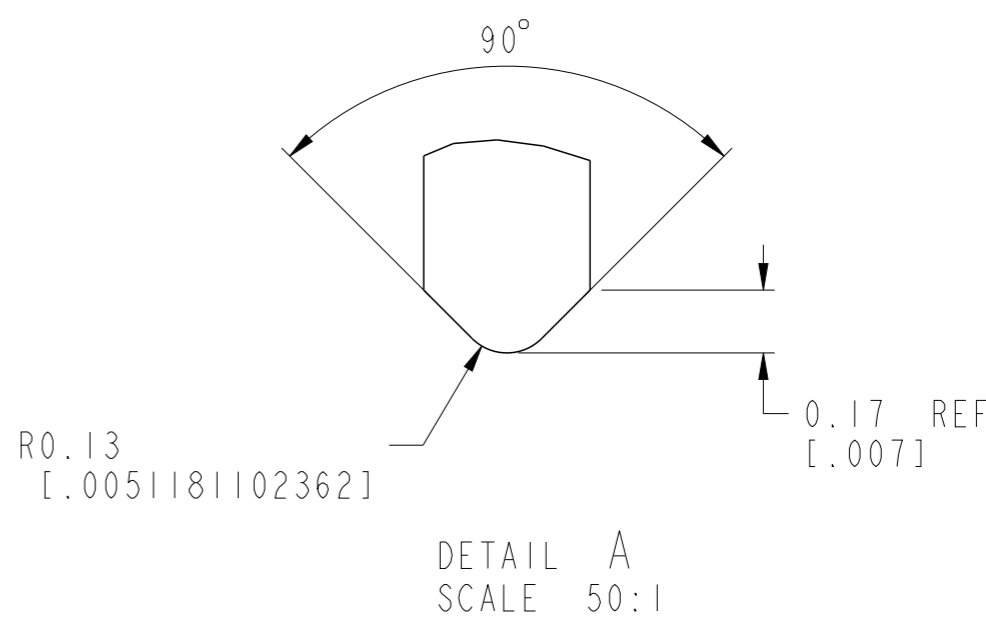
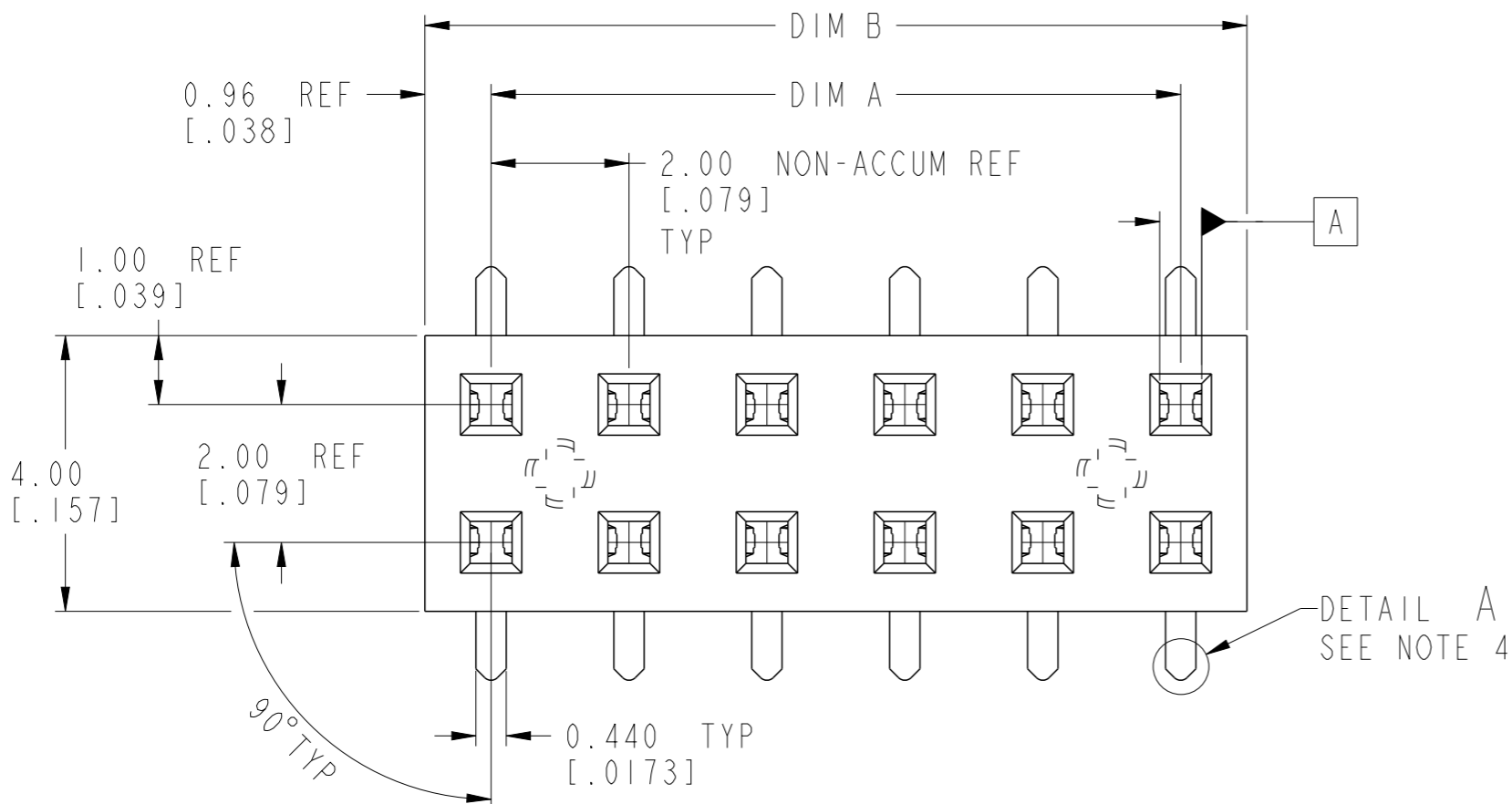




Copyright FCI.



spec ref	-	dr	Andrew Yong	2010/10/18	projection	MM / INCH	size	A3	scale	10:1	
tolerance std	ISO 406 ISO 1101	eng	Guo-Min Sun	2013/12/05			ecn no	ELX-N-16451-1			
	TOLERANCES UNLESS OTHERWISE SPECIFIED	chr	-	rel level			Released				
surface	ISO 1302	appr	Rick Bian	2013/12/05	product family	LPVCC	dwg no	55533		rev	H
	linear			LOW PROFILE VCC 4.5 T.E.SMT ASSY WITH 1.00/.039 LOCATING FEATURES		cat. no.	-		Product - Customer Drw	sheet 1 of 3	
	angular	www.fci.com		-		-		-			

PRODUCT NO	POSITIONS	DIM. A	DIM.B	DIM.C
55533-X06	2 X 3	4.00 / .158	5.92 / .233	2.00 / .079
55533-X08	2 X 4	6.00 / .236	7.92 / .312	4.00 / .158
55533-X10	2 X 5	8.00 / .315	9.92 / .391	6.00 / .236
55533-X12	2 X 6	10.00 / .394	11.92 / .469	8.00 / .315
55533-X14	2 X 7	12.00 / .472	13.92 / .548	10.00 / .394
55533-X16	2 X 8	14.00 / .551	15.92 / .627	12.00 / .472
55533-X18	2 X 9	16.00 / .630	17.92 / .706	14.00 / .551
55533-X20	2 X 10	18.00 / .709	19.92 / .784	16.00 / .630
55533-X22	2 X 11	20.00 / .787	21.92 / .863	18.00 / .709
55533-X24	2 X 12	22.00 / .866	23.92 / .942	20.00 / .787
55533-X26	2 X 13	24.00 / .945	25.92 / 1.020	22.00 / .866
55533-X28	2 X 14	26.00 / 1.024	27.92 / 1.099	24.00 / .945
55533-X30	2 X 15	28.00 / 1.102	29.92 / 1.178	26.00 / 1.024
55533-X32	2 X 16	30.00 / 1.181	31.92 / 1.257	28.00 / 1.102
55533-X34	2 X 17	32.00 / 1.260	33.92 / 1.335	30.00 / 1.181
55533-X36	2 X 18	34.00 / 1.339	35.92 / 1.414	32.00 / 1.260
55533-X38	2 X 19	36.00 / 1.417	37.92 / 1.493	34.00 / 1.339
55533-X40	2 X 20	38.00 / 1.496	39.92 / 1.572	36.00 / 1.417
55533-X42	2 X 21	40.00 / 1.575	41.92 / 1.650	38.00 / 1.496
55533-X44	2 X 22	42.00 / 1.654	43.92 / 1.729	40.00 / 1.575
55533-X46	2 X 23	44.00 / 1.732	45.92 / 1.808	42.00 / 1.654
55533-X48	2 X 24	46.00 / 1.811	47.92 / 1.887	44.00 / 1.732
55533-X50	2 X 25	48.00 / 1.890	49.92 / 1.965	46.00 / 1.811

PLATING OPTIONS		
ITEM	CONTACT AREA	SOLDER TAIL
0	0.05um/2u"Au	2.54/100u" SnPb Min(5%Min Pb)
1	0.76um/30u"Au	2.54/100u" 100%Matte Tin Min
2	GOLD FLASH	GOLD FLASH
3	0.38um/15u"Au	2.54/100u" SnPb Min(5%Min Pb)
4	30u" GXT	2.54/100u" 100%Matte Tin Min
5	15u" GXT	

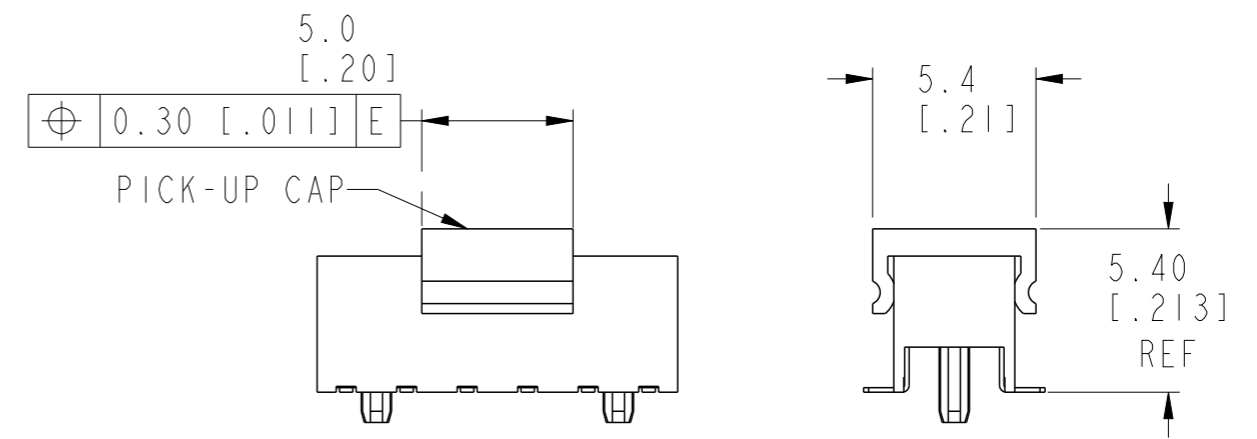
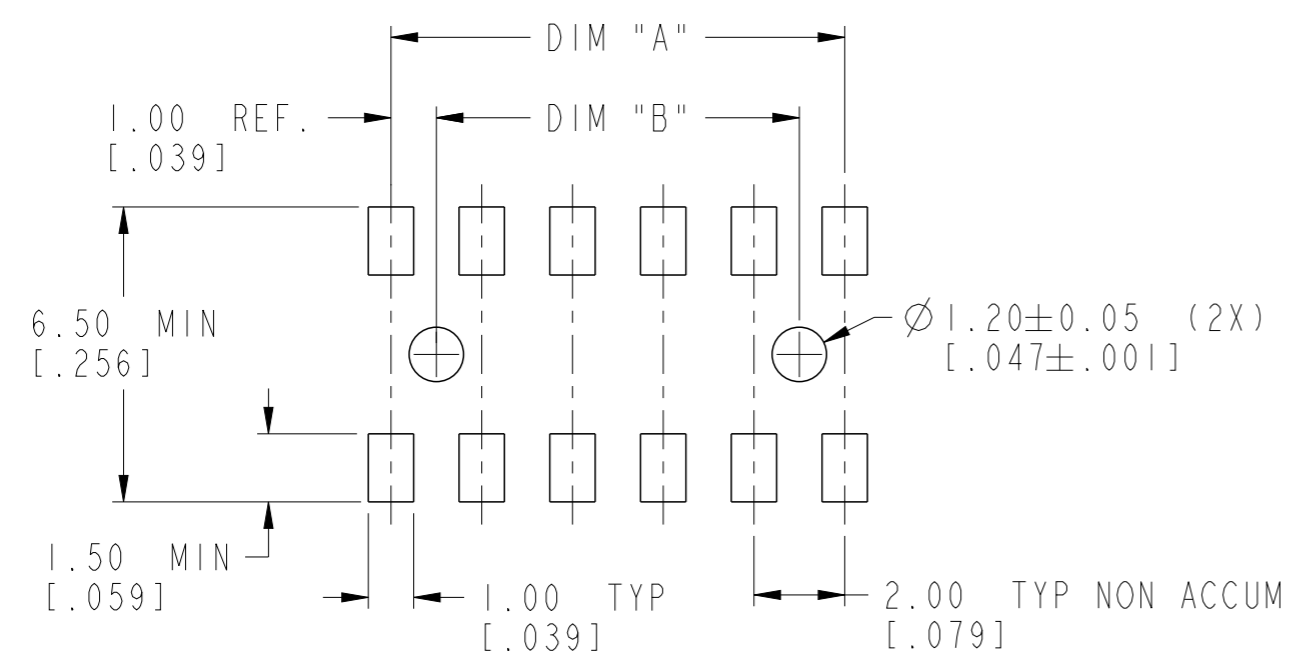


FIG 1
NOTE 7(b)



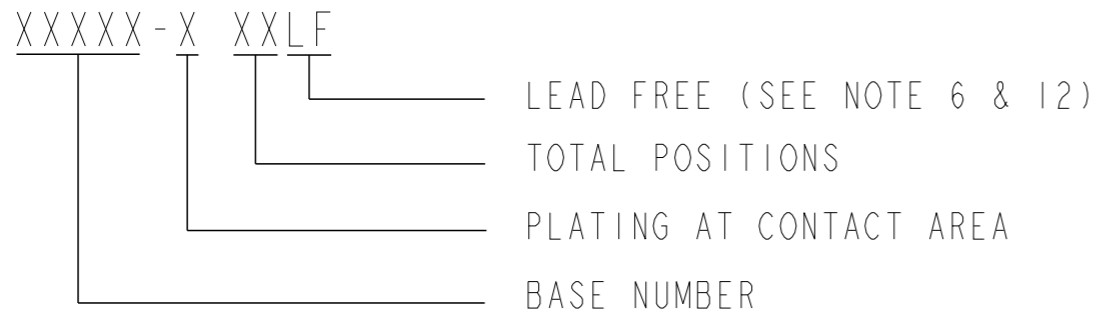
RECOMMENDED PAD LAYOUT

dr	Andrew Yong	2010/10/18	projection	MM / INCH	size	A3	scale	10:1	
eng	Guo-Min Sun	2013/12/05			ecn no	ELX-N-16451-1			
chr	-	-			rel level	Released			
appr	Rick Bian	2013/12/05	product family	LPVCC	rel level	Released			
			title LOW PROFILE VCC 4.5 T.E.SMT ASSY WITH 1.00/.039 LOCATING FEATURES		dwg no	55533		rev	H
www.fci.com			cat. no.	-	Product - Customer Drw			sheet 2 of 3	

Copyright FCI.

NOTES:

- 1. HOUSING MATERIAL : HIGH TEMP PLASTIC.
- 2. TERMINAL MATERIAL : PHOSPHOR BRONZE
- 3. TERMINAL RETENTION 0.5Kg/1.1 Lbs.
- ④ 'V' CUT OPTIONAL - MANUFACTURING PROCESS OPTION.
- 5. SOLDER TAILS ARE TIN/LEAD PLATED FOR P/N : 55533-XXX.
- ⑥ SOLDER TAILS ARE 100% MATTE TIN PLATED FOR P/N : 55533-XXXLF.
- ⑦ PRODUCT DESCRIPTION CODE:



- 8. PACKAGING:
 - (a) XXXXX-XXX ---STD PACKAGING IN TUBE
 - (b) XXXXX-XXXTR ---TAPE AND REEL PACKAGING WITH PICK-UP CAP. (FIG 1)
 - (b) XXXXX-XXXTRN ---TAPE AND REEL PACKAGING WITH PICK-UP CAP.
- ⑨ CO-PLANARITY FROM POSITION - X04 THRU -X38 : 0.10/.004
 - X40 THRU -X50 : 0.12/.005
- 10. THE HOUSING WILL WITHSTAND EXPOSURE TO 260°C PEAK TEMPERATURE FOR 10 SECONDS IN A CONVECTION, INFRA-RED OR VAPOR PHASE REFLOW OVEN.
- 11. THE HOUSING WILL WITHSTAND EXPOSURE TO 260°C PEAK TEMPERATURE FOR 10 SECONDS IN A WAVE SOLDER APPLICATION WITH A MINIMUM 1.57mm THICK CIRCUIT BOARD.
- ⑫ THIS PRODUCT MEETS EUROPEAN UNION DIRECTIVES AND OTHER COUNTRY REGULATIONS AS DESCRIBED IN GS-22-008.
- 13. A SYMBOL WILL BE NEXT TO ANY DIMENSION, VIEW OR NOTE WHICH HAS BEEN MODIFIED WITH THE CURRENT DRAWING REVISION.

dr	Andrew Yong	2010/10/18	projection 	MM / INCH 	size	A3	scale	10:1
eng	Guo-Min Sun	2013/12/05			ecn no	ELX-N-16451-1		
chr	-	-	product family	LPVCC	rel level	Released		
appr	Rick Bian	2013/12/05			title LOW PROFILE VCC 4.5 T.E.SMT ASSY WITH 1.00/.039 LOCATING FEATURES	dwg no 55533	rev H	www.fci.com
cat. no.			-		Product - Customer Drw		sheet 3 of 3	



Copyright FCI.