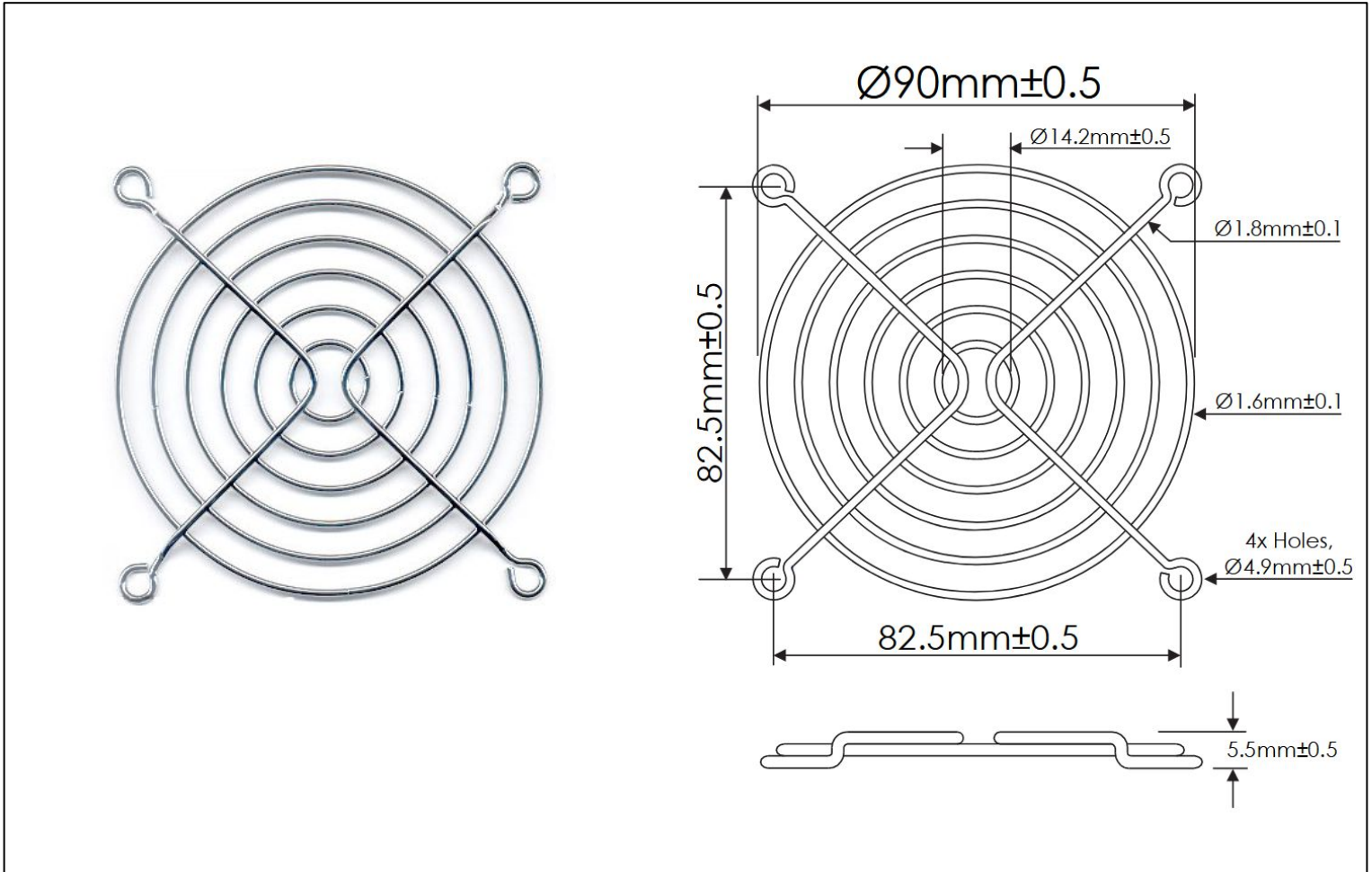


G92-16, G92-16B



Fan Guard for 92mm Fans



Description	Steel Wire fan guards with Nickel Chrome or Black surface finish.
Guard Material	C1008 Bright Basic Wire
Mounting	4x- $\text{Ø}4.9\text{mm} \pm 0.5$ Mounting Holes
Specifications	Welds withstand 88 lbs. Pull Force. Part meets 6.35mm plug gauge test. 5.66mm spacing between rings.

Part Number	Description
G92-16	92mm Fan Guard, Nickel Chrome Finish
G92-16B	92mm Fan Guard, Black Finish
G92-16/PK	10-Pack G92-16 Fan Guards, Boxed
G92-16B/PK	10-Pack G92-16B Fan Guards, Boxed