

# CTL1206DPD1T DATASHEET

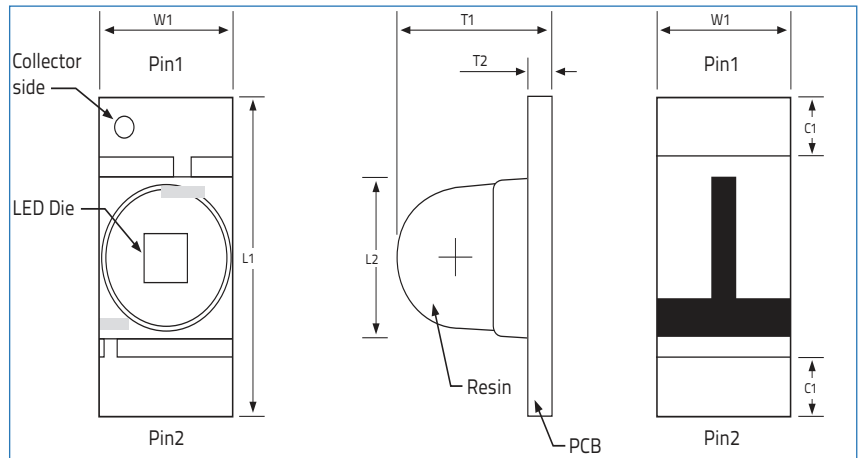
Chip Type LED, 1206, Dome Lens, Phototransistor



VENKEL LTD.

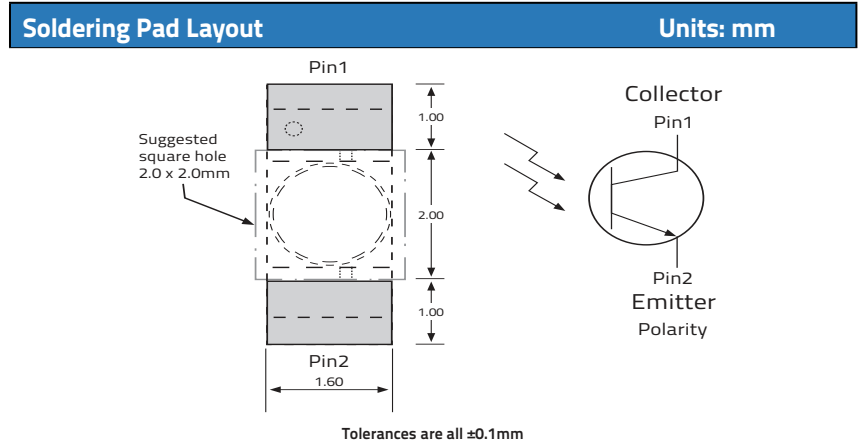
Part Number	Size	Emitting Color	Lens-Color	Rang of Spectral Bandwidth nm $\lambda D$	Wavelength of Peak Sensitivity nm $\lambda P$
CTL1206DPD1T	1206	Phototransistor	Black	700 min 1100 max	940

Electrical & Optical Specifications ( $T_A=25^\circ C$ )		PD1	Unit
Collector-Emitter Break-down Voltage ( $I_C=100\mu A$ )	$BV_{CEO}$	30	V
Emitter-Collector Break-down Voltage ( $I_E=100\mu A$ )	$BV_{ECO}$	5	V
On State Collector Current (max)	$I_{C(ON)}$	1.0	mA
Wavelength of Peak Sensitivity	$\lambda P$	940	nm
Collector Dark Current ( $V_{CE}=20V, E_E=0mW/cm^2$ )	$I_{CEO}$	100	nA
Collector-Emitter Saturation Voltage MAX ( $I_C=2mA, E_E=1mW/cm^2$ )	$V_{CE(sat)}$	0.4	V
Rise Time Typ. ( $V_{CE}=5V, I_C=1mA, R_L=1000\Omega$ )	$t_r$	15	$\mu S$
Rise Time Typ. ( $V_{CE}=5V, I_C=1mA, R_L=1000\Omega$ )	$t_f$	15	$\mu S$



Dimensions		Units: Inches (mm)	
$L_1$	$L_2$	$T_1$	$T_2$
0.1259±0.004 (3.2±0.1)	0.063±0.004 (1.62±0.1)	0.0728±0.004 (1.85±0.1)	0.011±0.004 (0.29±0.1)
W	C1		
0.0629±0.004 (1.60±0.1)	0.0236±0.004 (0.60±0.1)		

Absolute Maximum Ratings ( $T_A=25^\circ C$ )		PD1	Unit
Collector Current	$I_C$	20	mA
Total Power Dissipation	$P_{to}$	150	mW
Operating Temperature	$T_A$	-40 ~ +85	$^\circ C$
Storage Temperature	$T_{stg}$	-40 ~ +100	



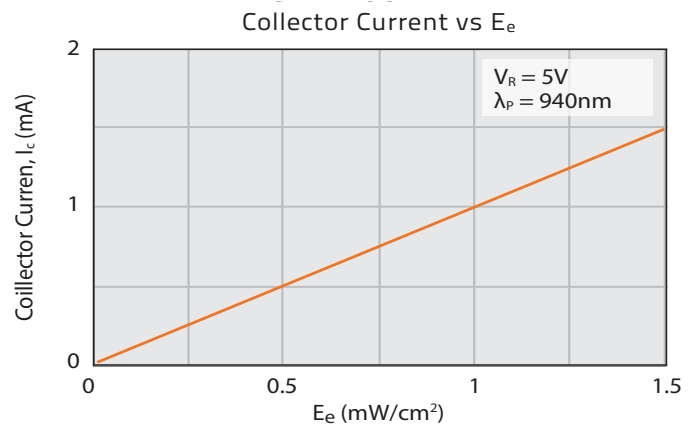
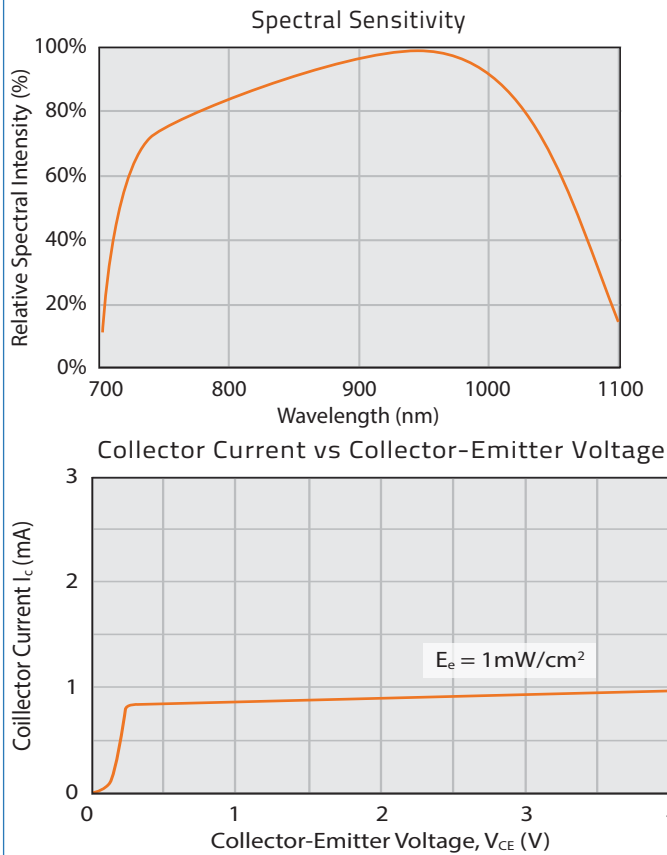
# CTL1206DPD1T DATASHEET

Chip Type LED, 1206, Dome Lens, Phototransistor



VENKEL LTD.

## Graphs



## Environmental information

RoHS Status	6 of 6 Compliant
REACH Status	Compliant
Halogen Status	Halogen Free
Conflict Mineral Status	Conflict Mineral Free
Moisture Sensitivity Level (MSL)	3

## Reflow profile

Max Reflow Temperature	260°C
Number of Reflow Cycles	2
Time at Max Reflow Temperature	10 seconds

# CTL1206DPD1T DATASHEET

Chip Type LED, 1206, Dome Lens, Phototransistor



VENKEL LTD.

## Label Example

Item: CTL1206DPD1T

Chip Type LED, 1206, Dome Lens, Phototransistor

Qty: 2000

D/C: 4019

Lot: 20160502001

BIN: B1

**VENKEL LTD**

**YOUR SINGLE SOURCE FOR SURFACE MOUNT PASSIVES**

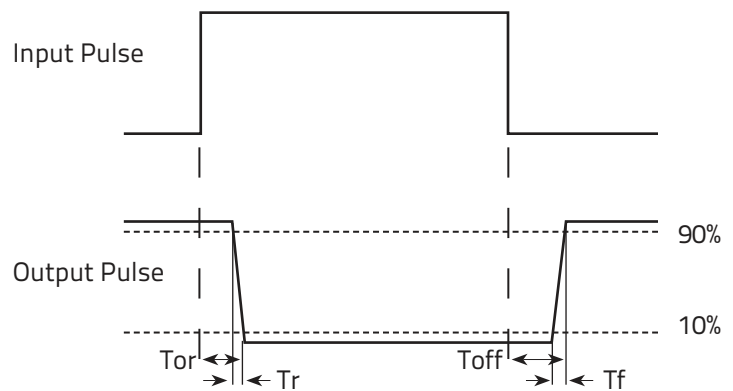
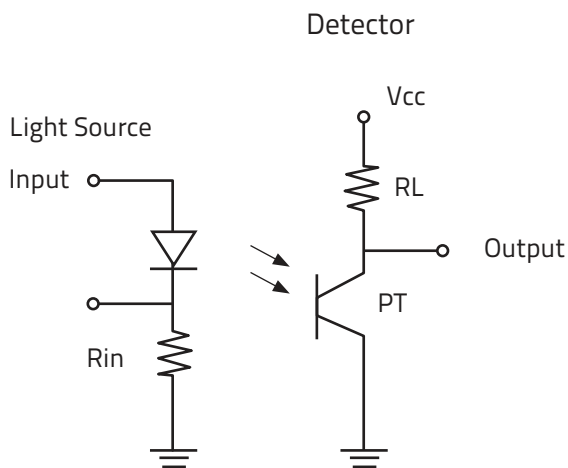
## Codes:

BIN: Radiant Intensity

## Radiant Intensity Classification (BIN Code)

BIN Code	$I_c$	
	Min.	Max.
B1	0.6	1.4

## Test Circuit



Switching Time

# CTL1206DPD1T DATASHEET

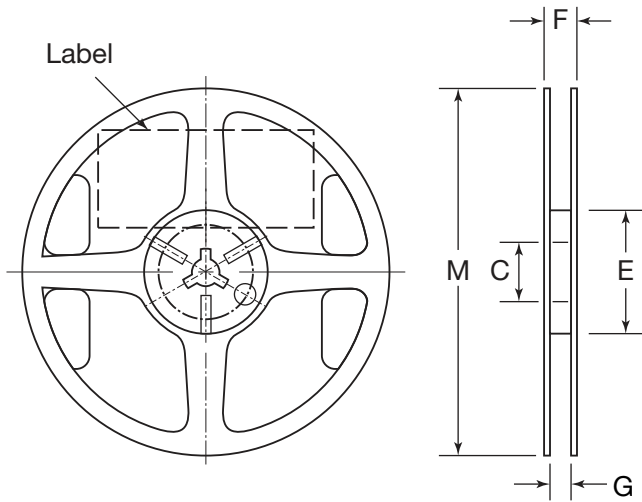
Chip Type LED, 1206, Dome Lens, Phototransistor



VENKEL LTD.

## Reel Specifications

Units: mm



M	C	F	E	G
180±1.50	56.0±1.0	12.0±1.0	60.0±1.0	9.0±1.0

## Packaging Specifications

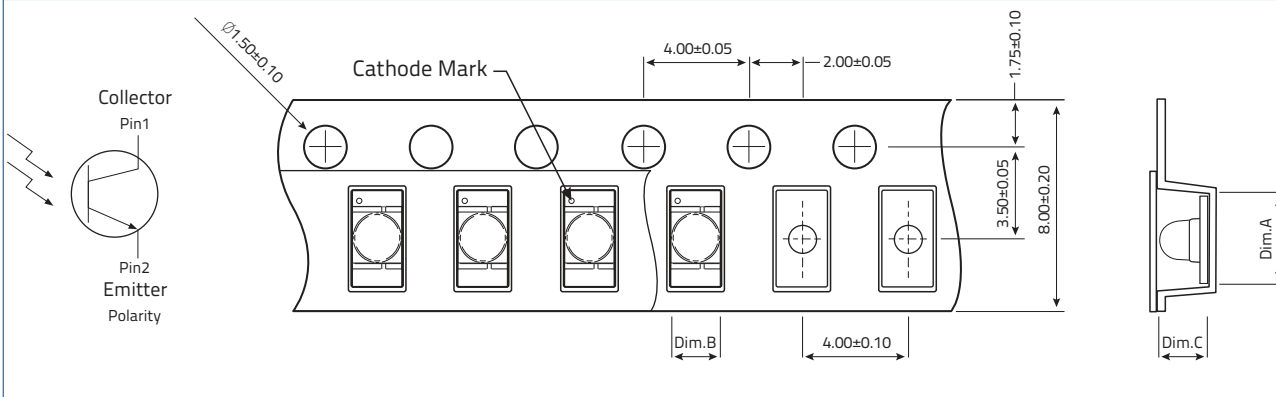
Reel Size:	7"
Quantity per Reel :	2,000

## Storage Specifications

1. Storage temperature and RH: 5°C~35°C, RH60%
2. Once the package is opened, the LEDs should be used within a week. Otherwise, they should be kept in a moisture proof bag with desiccant. We suggest that you use this product within one year from date code.
3. If opened for more than one week in an atmosphere of 5°C~35°C, RH60%. The parts should be heat treated at 60°C±5°C for 15 hours.

## Tape Specifications

Units: mm



C	A	B
2.17±0.10	3.37±0.10	1.78±0.10