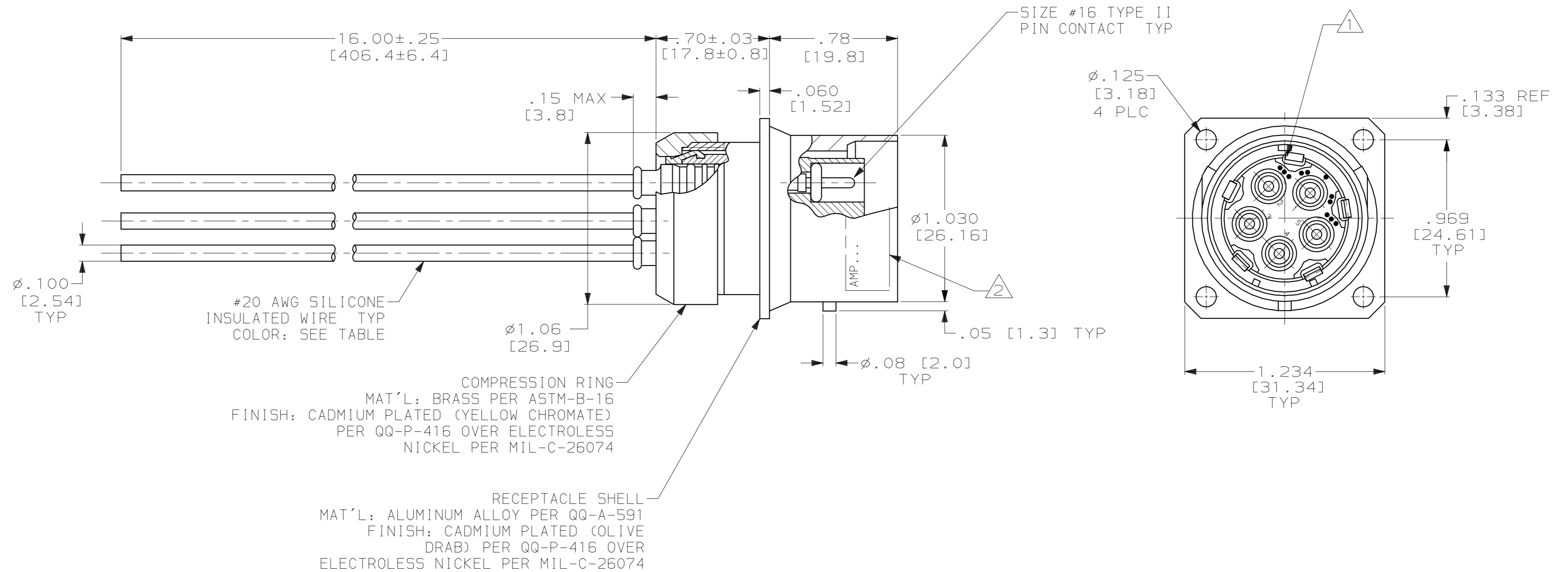


THIS DRAWING IS UNPUBLISHED. RELEASED FOR PUBLICATION
 BY AMP INCORPORATED. ALL RIGHTS RESERVED.

LOC	DIST	REVISIONS			
P	LTR	DESCRIPTION	DATE	DWN	APVD
DF	SO				
F		REV PER ECO 05-03191 CT	6-3-05	CT	DE

WIRING TABLE	
POSITION NO.	WIRE COLOR
1	BROWN
2	RED
3	ORANGE
4	YELLOW
5	GREEN



- 1 TRIPLE DOT FOR NORMAL POLARIZATION LOCATED UNDER MAJOR KEYWAY.
- 2 AMP INFO MARKED PER MIL-STD-130.
- 3. MAXIMUM MOUNTING PANEL THICKNESS: .100 [2.54].
- 4. WORKING VOLTAGE IS 4.5 KVDC MAX WHEN PROPERLY MATED.

863987-1
 PART NO.

THIS DRAWING IS A CONTROLLED DOCUMENT.		DWN C.C. THOMAS 11-18-96	AMP Incorporated Harrisburg, PA 17105-3608	
DIMENSIONS: INCHES [mm]		CHK C. SHELLY 11-19-96	NAME CABLE ASSY, 5 POSN, LGH	
TOLERANCES UNLESS OTHERWISE SPECIFIED:		APVD C. SHELLY 11-19-96	DRAWING NO A2 00779 C-863987	
0 PLC ±-		PRODUCT SPEC	RESTRICTED TO	
1 PLC ±-		APPLICATION SPEC	-	
2 PLC ±.02 [0.5]		WEIGHT	-	
3 PLC ±.010 [0.25]		CUSTOMER DRAWING	SCALE 2:1 SHEET 1 OF 1 REV F	
4 PLC ±-				
ANGLES ±-				
FINISH -				