

**Style**

M12 Plug  
6 pin  
A-coding

**Ratings**

Voltage: 30 V  
Current: 2 A

**Operating Temperature Range**

-40 ~ 105 °C

**Materials**

- ① Insulator: Polyamide 66 (PA66), UL94 HB, black
- ② Pin: C3604 brass, gold plated
- ③ Shell: C3604 brass, nickel plated

**Electrical Requirements**

Dielectric strength: 1 min @ 500 Vac  
Insulation resistance: 100 MΩ @ 500 Vdc  
Contact resistance: 10 mΩ or less

**Mechanical Requirements**

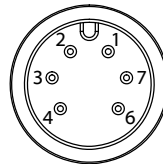
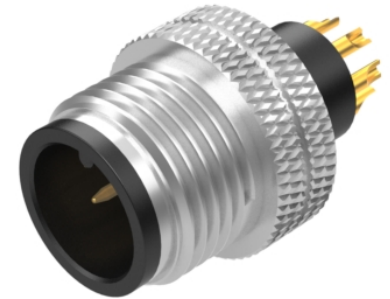
Life cycle: 500 mating cycles minimum

**Environmental Requirements**

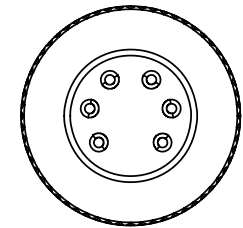
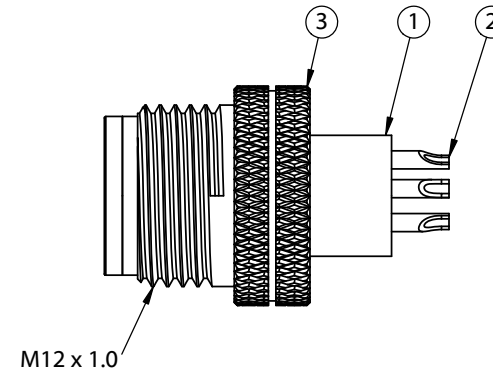
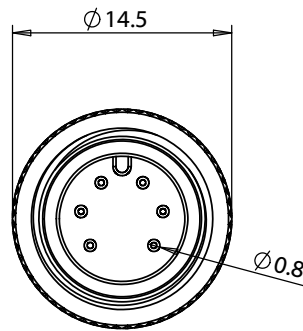
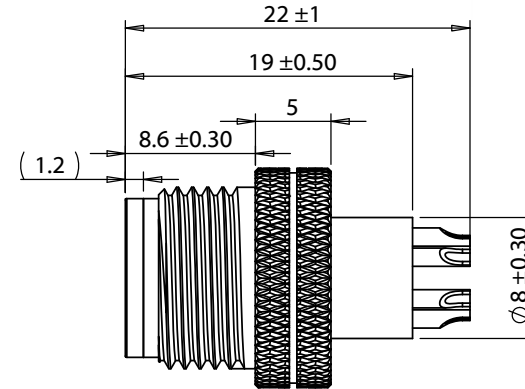
Salt spray test: 35 °C, relative humidity 90-95%, 5% NaCl mist for 48 hrs. Wash parts after test. Maintain mechanical requirements and a contact resistance of less than 10 mΩ.  
Waterproof: IP67

**Assembly Info**

Wire gauge: 24 AWG max



Front View  
Not to Scale



Revision:	Date:	Description:
A	8/4/2020	Initial release

Prepared:	Notes:
JC <small>Digitally signed by JC Date: 2020.10.23 12:26:54 -07'00'</small>	RoHS compliant
Verified:	Function test: no open, no short circuit, no intermittent
AG <small>Digitally signed by AG Date: 2020.10.23 12:56:23 -07'00'</small>	Description:
Dimensions are in millimeters. Tolerances: X: ± 0.3 mm X.X: ± 0.1 mm X.XX: ± 0.05 mm	Connector, 6 pin M12 A-code plug, 12xL22mm, gold plated, molding style, solder cup, IP67

Size:	Part number:
A	50-00961
Scale: 2:1	Sheet 1 of 1

**TENSILITY**

tel 1.541.323.3228 800 877.670.7118  
fax 1.541.323.4202 web tensility.com